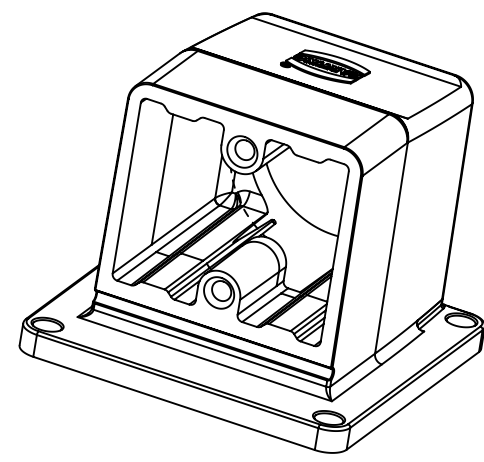
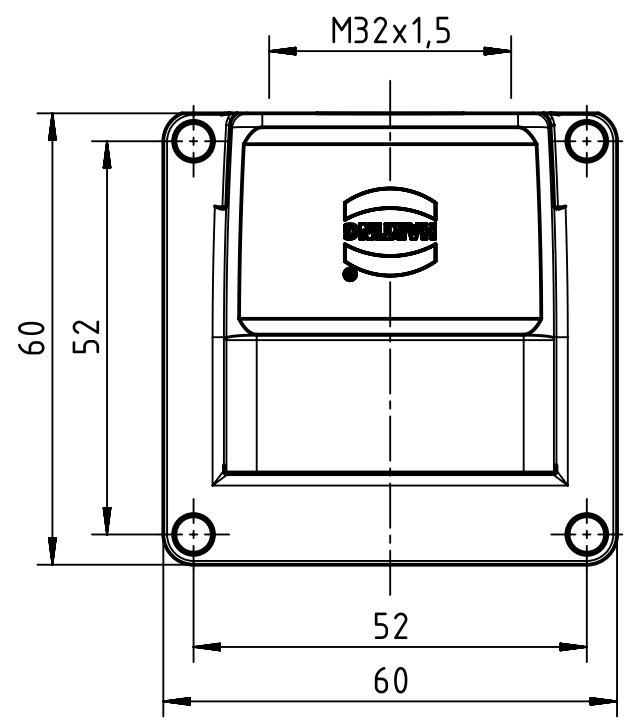
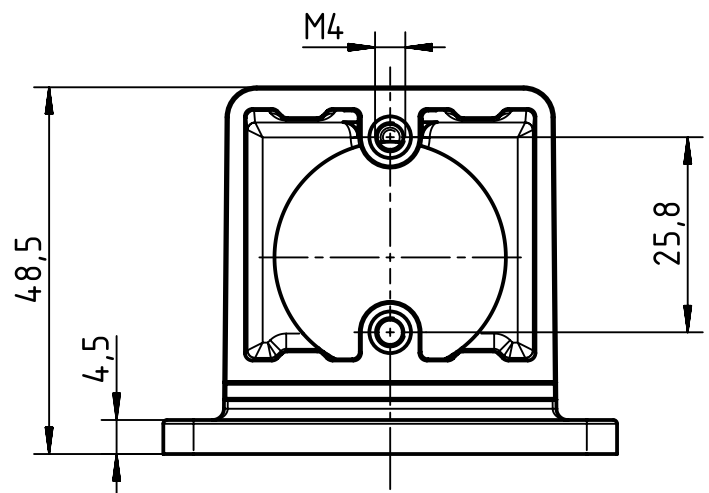



A
B
C
D



	All Dimensions in mm Original Size DIN A4		Scale 1:1	Free size tol.		Ref.		
	All rights reserved Department EL PD - CN		Created by LONGL	Inspected by WENE	Standardisation SCHMIDTM	Date 2016-02-03	State Final Release	
HARTING Electric GmbH & Co. KG D-32339 Espelkamp			Title Han Modular Twin angled housing M32				Doc-Key / ECM-Nr. 100607274/UGD/002/A 500000099753	
			Type TB	Number 19 14 002 0952			Rev. A	Page 1/1