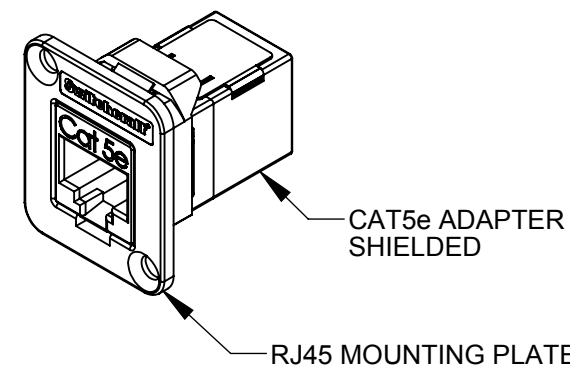
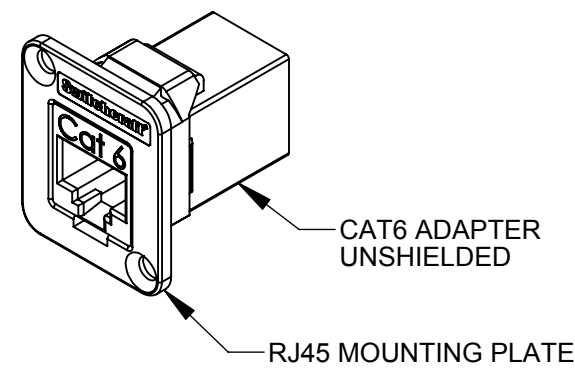


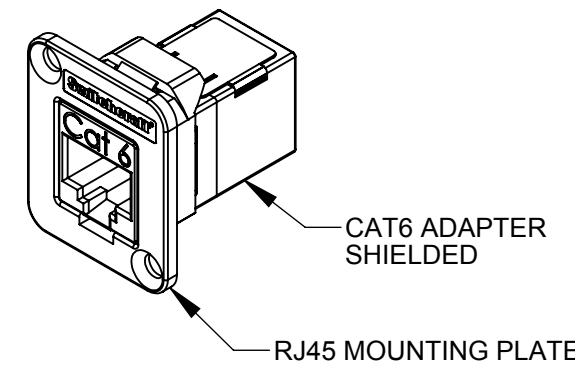
EHRJ45P5E
UNSHIELDED



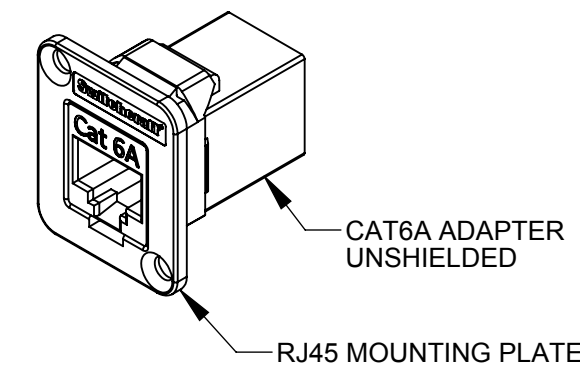
EHRJ45P5ES
SHIELDED



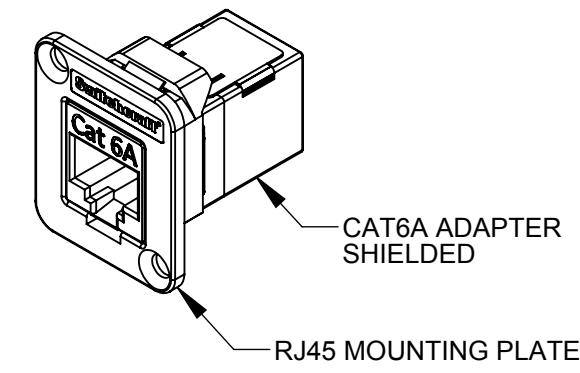
EHRJ45P6
UNSHIELDED



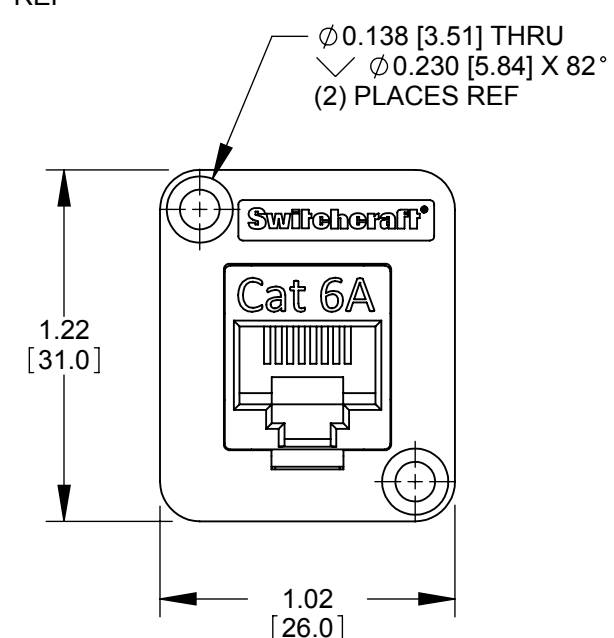
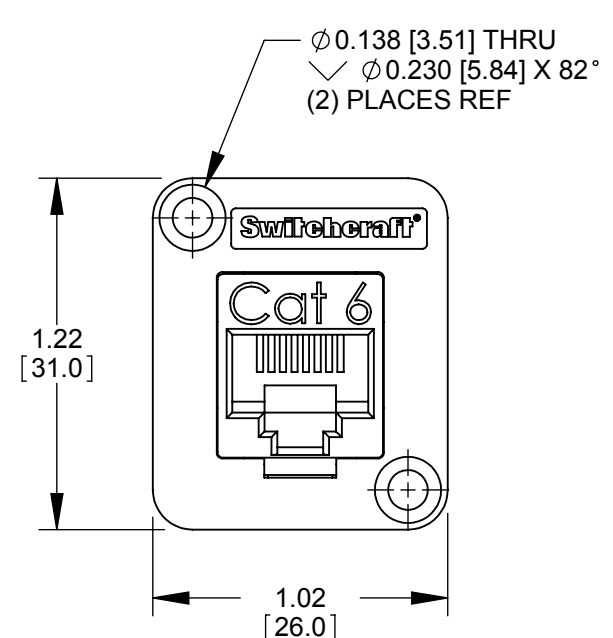
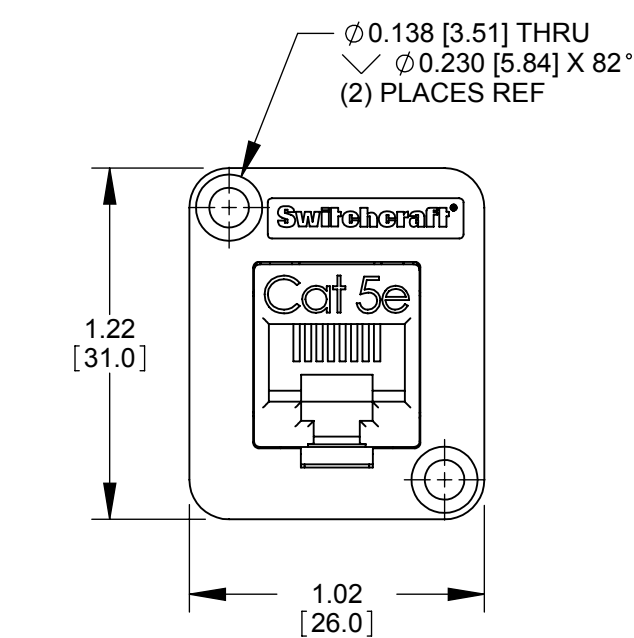
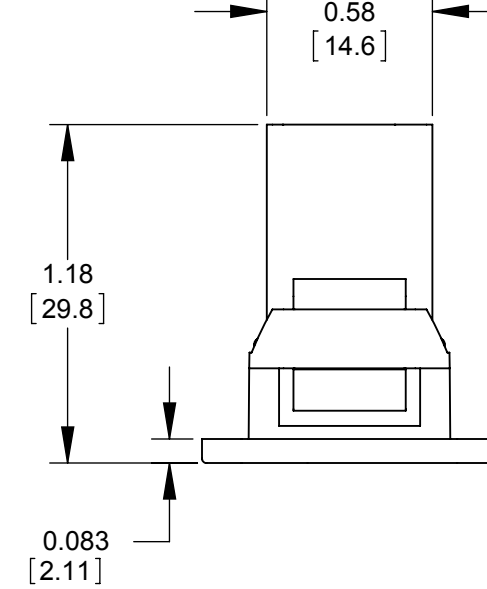
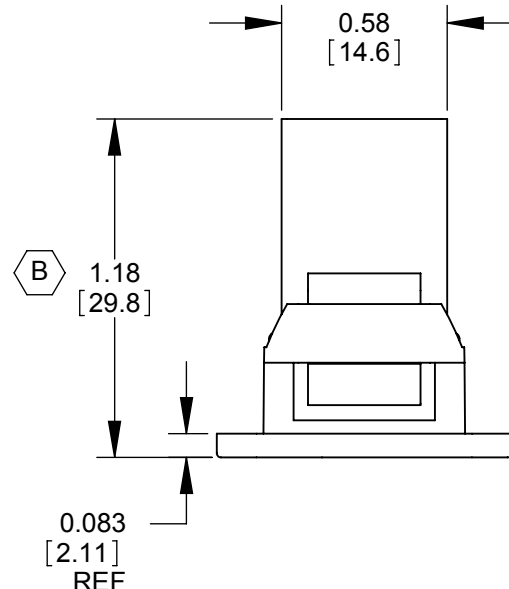
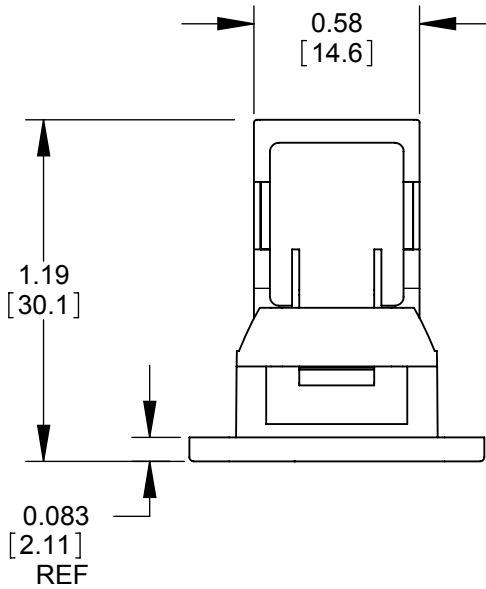
EHRJ45P6S
SHIELDED



EHRJ45P6A
UNSHIELDED



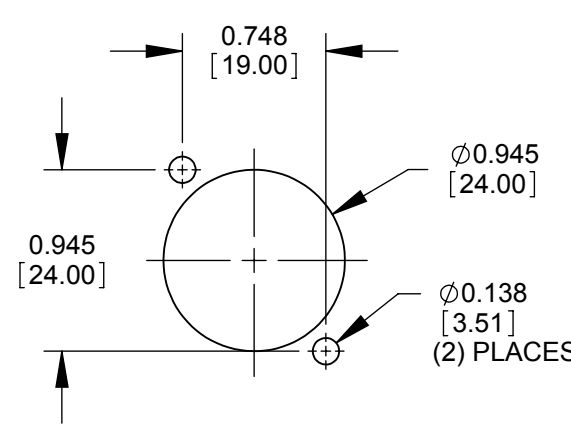
EHRJ45P6AS
SHIELDED



EHRJ45P5E - UNSHIELDED
EHRJ45P5ES - SHIELDED (SHOWN)

EHRJ45P6 - UNSHIELDED (SHOWN)
EHRJ45P6S - SHIELDED

EHRJ45P6A - UNSHIELDED (SHOWN)
EHRJ45P6AS - SHIELDED



**RECOMMENDED
PANEL CUT-OUT**

PART NUMBER	RJ45 ADAPTER
EHRJ45P5E	CAT5e UNSHIELDED
EHRJ45P5ES	CAT5e SHIELDED
EHRJ45P6	CAT6 UNSHIELDED
EHRJ45P6S	CAT6 SHIELDED
EHRJ45P6A	CAT6A UNSHIELDED
EHRJ45P6AS	CAT6A SHIELDED

- NOTES:
- ADAPTER MEETS:
CAT5e: TIA/EIA-568-B.2 STANDARD
CAT6: TIA/EIA-568-B.2-1 STANDARD
CAT6A: TIA/ANSI-568-C.2 STANDARD

- MATERIALS:
RJ45 MOUNTING PLATE - THERMOPLASTIC, BLACK
RJ45 HOUSING - THERMOPLASTIC, BLACK
RJ45 SHIELD - COPPER ALLOY, NICKEL PLATED

- FOR SCREWS TO BE SHIPPED WITH ASSEMBLY, ADD SUFFIX -PKG TO PART NUMBER.

- WHEN MOUNTING ASSEMBLY, USE A SCREW TORQUE OF 10 INCH-LBS MAXIMUM.

- THIS PRODUCT IS RoHS COMPLIANT.

CUSTOMER DRAWING

UNLESS OTHERWISE SPECIFIED				THIS DRAWING DESCRIBES A DESIGN CONSIDERED PROPRIETARY IN NATURE, DEVELOPED AND MANUFACTURED BY SWITCHCRAFT INC. AND IS RELEASED ON A CONFIDENTIAL BASIS FOR IDENTIFICATION PURPOSES ONLY.			
SIZE		WIDTH		MULT		LBS/M	
FINISH		MATERIAL		SPEC No.		SPEC No.	
FIRST USED ON				SCALE 1.5:1			
DATE DRAWN	BY	CHKD	APVD	NAME			
7/7/08	JGK	RS	TJK	EH SERIES			
REVISIONS				RJ45 ADAPTER, RoHS			
DO NOT SCALE DRAWING				PART No. EHRJ45P SERIES			
				SHEET 1 OF 1			
				REV D			

Mouser Electronics

Authorized Distributor

Click to View Pricing, Inventory, Delivery & Lifecycle Information:

[Switchcraft:](#)

[EHRJ45P6](#) [EHRJ45P6AS](#) [EHRJ45P6A](#)