

10 9 8 7 6 5 4 3 2 1

F

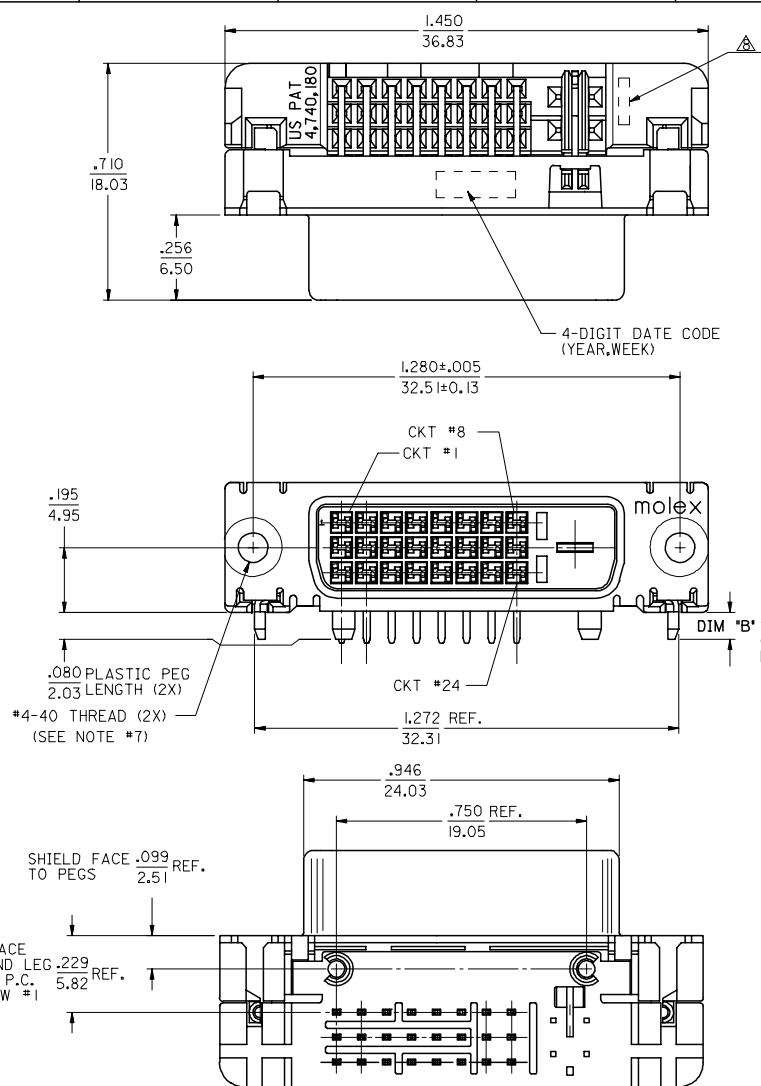
E

D

C

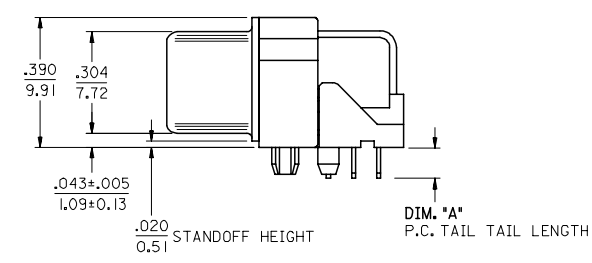
B

A



NOTES:

1. MATERIALS:
 SHIELD -- DEEP DRAW STEEL.
 HOUSING -- GLASS FILLED POLYMER, NATURAL (WHITE), UL 94V-0.
 TAIL ALIGNER -- GLASS FILLED POLYMER, NATURAL (WHITE), UL 94V-0.
 CONTACTS -- COPPER ALLOY.
 MICROGROUND -- COPPER ALLOY.
 2. PLATING: SEE SHEET 2
 3. PRODUCT CONFORMS TO MOLEX PRODUCT SPECIFICATION NUMBER PS-74320-001. REFER TO THIS SPECIFICATION FOR SPACING ON A P.C.B. OF TWO OR MORE CONNECTORS WHEN USING A CABLE OR AN ADAPTER ASSEMBLY.
 4. SEE SHEET 2 FOR RECOMMENDED PANEL CUT-OUT AND P.C.B. LAYOUT.
 5. PARTS WILL BE PACKAGED IN TRAYS PER PK-74320-010.
 6. PRODUCT CONFORMS TO DDWG DVI SPECIFICATION. REFER TO THIS SPECIFICATION FOR CONNECTOR MATING DIMENSIONS.
 7. RECOMMENDED MOUNTING HARDWARE IS MOLEX P/N 71781-0001 OR 88780-6066 OR 82007-0300.
 REFER TO PRODUCT SPECIFICATION NUMBER PS-74320-001 FOR THE APPLICATION TORQUE REQUIREMENT FOR ASSEMBLING MOUNTING HARDWARE.
- ▲ CAVITY NO. AND MANUFACTURING PLANT CODE.



PART NUMBER	PLATING OPTION	DIM 'A'	DIM 'B'
74320-4000	1	.092/2.34	.080±.020
74320-4001	1	.050/1.27	2.03±0.51
74320-4003	1	.123/3.12	.110/2.79
74320-4004	2	.092/2.34	.080±.020
74320-4005	2	.050/1.27	2.03±0.51
74320-4016	2	.110/2.79	.110/2.79
74320-4007	2	.123/3.12	.110/2.79

REVISE
 EC NO: SH2007-0732
 DRWN: XJSONG
 CHKD: JTIAN
 APPR: INCHEH

QUALITY SYMBOLS
 ▽=0
 ▽=0

GENERAL TOLERANCES (UNLESS SPECIFIED)

	mm	INCH
4 PLACES	± .005	± .0002
3 PLACES	± .005	± .0002
2 PLACES	± 0.25	± .010
1 PLACE	± 0.25	± .010

ANGULAR ±1/2°

DRAFT WHERE APPLICABLE MUST REMAIN WITHIN DIMENSIONS

DIMENSION STYLE IN/MM

DRAWN BY DATE
 MOSULL IV 1999/02/12

CHECKED BY DATE
 MOSULL IV 1999/02/12

APPROVED BY DATE
 NELLIGAN 1999/02/12

MATERIAL NO. SEE CHART

SCALE 2:1

DESIGN UNITS INCH

THIRD ANGLE PROJECTION

TITLE
 DVI-DIGITAL RIGHT ANGLE RECEPTACLE CONNECTOR

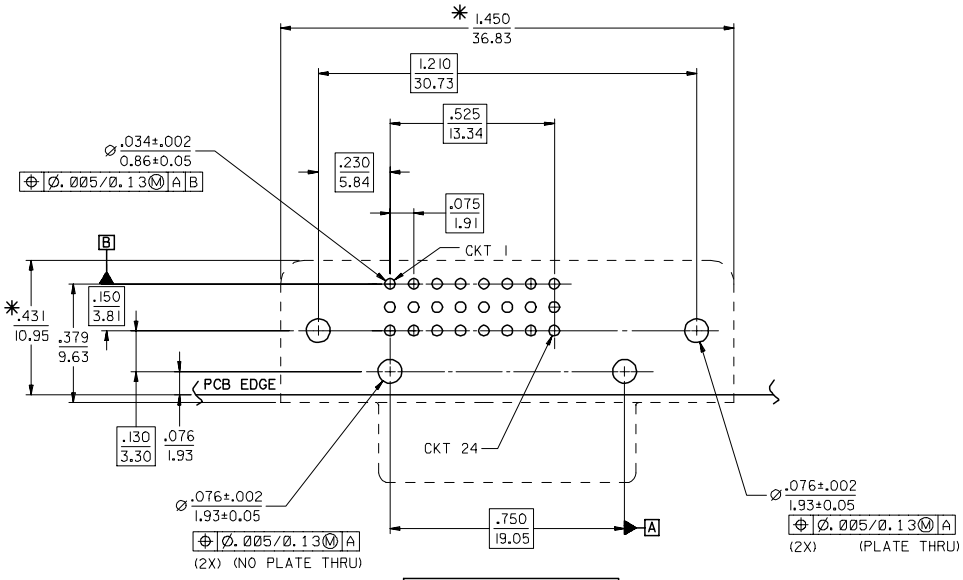
MOLEX MOLEX INCORPORATED

DOCUMENT NO. SD-74320-003

SHEET NO. 1 OF 2

THIS DRAWING CONTAINS INFORMATION THAT IS PROPRIETARY TO MOLEX INCORPORATED AND SHOULD NOT BE USED WITHOUT WRITTEN PERMISSION

9 8 7 6 5 4 3 2 1

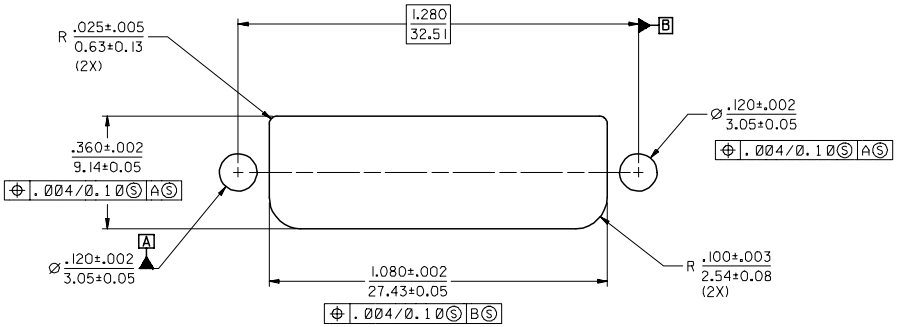


PLATING OPTIONS:

PLATING OPTION #1:
 OUTER SHIELD -- 150u"/(3.75um) MIN. BRIGHT TIN OVER
 50u"/(1.27um) MIN. NICKEL OVER COPPER FLASH.
 .075"/(1.91mm) CONTACTS -- 30u"/(0.75um) MIN. SELECT GOLD AND
 100u"/(2.50um) MIN. SELECT PURE TIN
 OVER 50u"/(1.27um) MIN. NICKEL OVERALL.

PLATING OPTION #2:
 OUTER SHIELD -- 150u"/(3.75um) MIN. BRIGHT TIN OVER
 50u"/(1.27um) MIN. NICKEL OVER COPPER FLASH.
 .075"/(1.91mm) CONTACTS -- SELECT GOLD FLASH AND
 100u"/(2.50um) MIN. SELECT PURE TIN
 OVER 50u"/(1.27um) MIN. NICKEL OVERALL.

RECOMMENDED PCB LAYOUT
 *THESE DIMENSIONS REPRESENT CONNECTOR OVERLAY ON PCB.



RECOMMENDED PANEL CUT-OUT
 PANEL THICKNESS: .030" - .040"

SEE SHEET 1
 EC NO: SH2007-0732
 DRWN: J.SONG 2007/06/04
 CHKD: J.TIAN 2007/06/05
 APPR: J.NCHEN 2007/06/22

QUALITY SYMBOLS
 ▽=0
 ▽=0

GENERAL TOLERANCES (UNLESS SPECIFIED)	
mm	INCH
4 PLACES ±---	±---
3 PLACES ±---	±.010
2 PLACES ±0.25	±.010
1 PLACE ±0.25	±.010
ANGULAR ±1/2°	

DIMENSION STYLE	
IN/MM	
DRAWN BY	DATE
MOSULL IV	1999/02/12
CHECKED BY	DATE
MOSULL IV	1999/02/12
APPROVED BY	DATE
NELLIGAN	1999/02/12
MATERIAL NO.	
SEE CHART	

SCALE	DESIGN UNITS	THIRD ANGLE PROJECTION	
2:1	INCH		
DVI-DIGITAL RIGHT ANGLE RECEPTACLE CONNECTOR			
		MOLEX INCORPORATED	
DOCUMENT NO. SD-74320-003			SHEET NO. 2 OF 2