

Product data sheet

Subminiature connectors

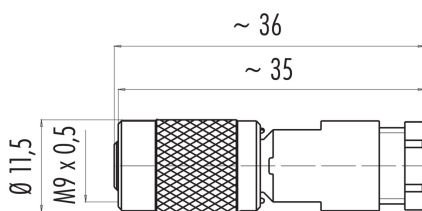


| | |
|---------------------|---|
| Product description | M9 IP67 female cable connector, Contacts: 5, 3.5 - 5.0 mm, unshielded, solder, IP67 |
| Area | M9 IP67 series 712 |
| Part no. | 99 0414 00 05 |

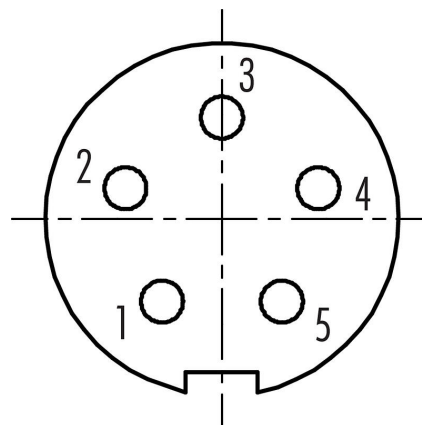
Illustration



Scale drawing



Contact arrangement (Plug-in side)



You can find the component part drawing on the next page.

Technical data

General features

| | |
|---------------------------|---|
| Part no. | 99 0414 00 05 |
| Connector design | female cable connector |
| Version | connector female straight |
| Connector locking system | screw |
| Termination | solder |
| Degree of protection | IP67 |
| Cross-sectional area | max. 0.25 mm ² / max. AWG 24 |
| Cable outlet | 3.5 - 5.0 mm |
| Temperature range from/to | -40 °C / 85 °C |
| Mechanical operation | > 500 Mating cycles |
| Weight (g) | 7.44 |
| Customs tariff number | 85369010 |

Electrical parameters

| | |
|---------------------------|----------------------|
| Rated voltage | 125 V |
| Rated impulse voltage | 1500 V |
| Rated current (40 °C) | 3 A |
| Insulation resistance | ≥ 10 ¹⁰ Ω |
| Pollution degree | 1 |
| Overvoltage category | II |
| Insulating material group | III |

Product data sheet

Subminiature connectors



Product description **M9 IP67 female cable connector, Contacts: 5, 3.5 - 5.0 mm, unshielded, solder, IP67**

Area **M9 IP67 series 712**
Part no. **99 0414 00 05**

EMC compliance unshielded

Material

| | |
|-----------------------|--------------------------------------|
| Housing material | PA/CuZn (Nickel-plated brass) |
| Contact body material | PA (UL94 V-0) |
| Contact material | CuSn (bronze) |
| Contact plating | Au (gold) |
| Locking material | CuZn (Brass nickel plated) |
| REACH SVHC | CAS 7439-92-1 (Lead) |
| SCIP number | 1cf280b3-0d7f-4a78-a606-5a9c341d988b |

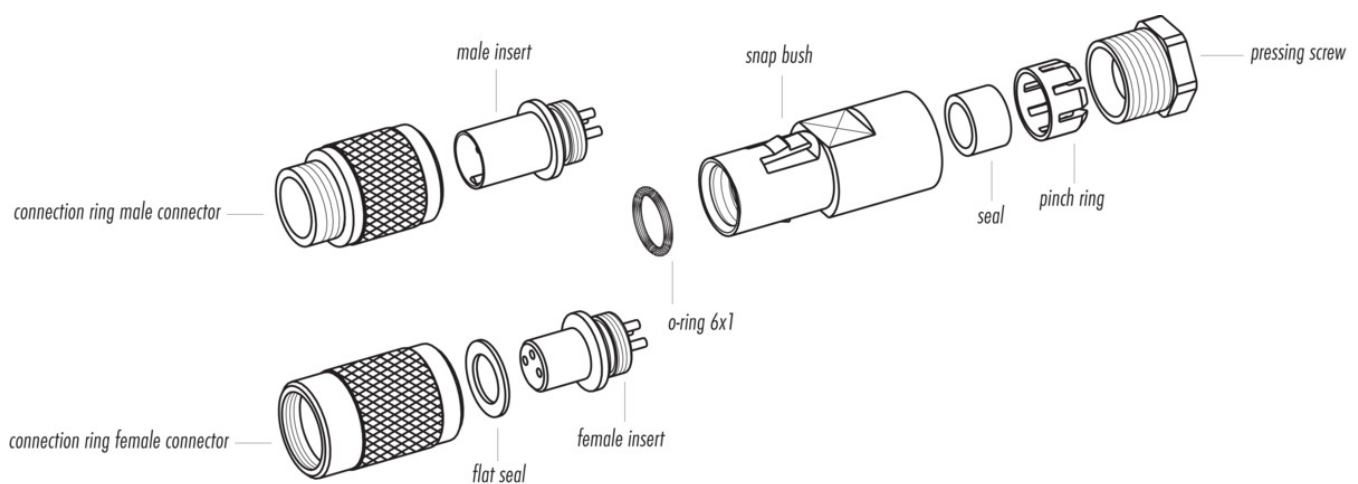
Classifications

| | |
|-------------|-------------|
| eCl@ss 11.1 | 27-44-01-02 |
| ETIM 7.0 | EC002635 |

Declarations of conformity

| | |
|-----------------------|--|
| Low Voltage Directive | 2014/35/EU (EN 60204-1:2018;EN 60529:1991) |
|-----------------------|--|

Component part drawing



| | |
|---------------------|--|
| Product description | M9 IP67 female cable connector, Contacts: 5, 3.5 - 5.0 mm, unshielded, solder, IP67 |
| Area | M9 IP67 series 712 |
| Part no. | 99 0414 00 05 |

Security notices

The connector must not be plugged or unplugged under load. Non-observance and improper use can result in personal injury.

The connectors have been developed for applications in plant engineering, control and electrical equipment construction. The user is responsible for checking whether the connectors can also be used in other areas of application.

Connectors which are used in circuits with voltages dangerous to the touch may only be installed and used by, or under the supervision of, persons with electrical engineering training, taking into account the applicable regulations and standards.

Plug connectors with enclosure protection IP 67 and IP 68 are not suitable for use under water. When used outdoors, the plug connectors must be protected separately against corrosion. For further information on the IP protection classes, please refer to the "Technical Information" download centre.

To lock the cable connector with the device connector, the threaded ring is tightened "hand-tight" (approx. 50 cNm).