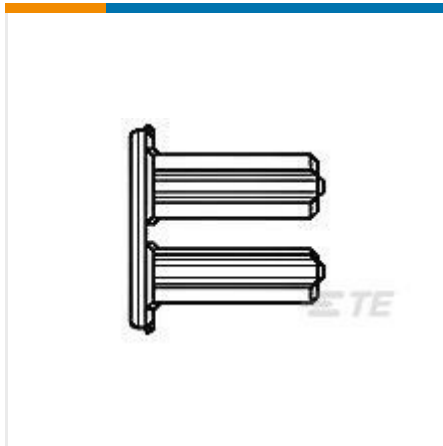




CONNECTORS

AUTOMOTIVE CONNECTOR LOCKS & POSITION ASSURANCE



✓ Active

TE CONNECTIVITY (TE)

2. KONT-SICHERUNG 6P

AMP | Timer Connector System

968271-1

TE Internal Number: 968271-1

EU RoHS Compliant

EU ELV Compliant

Connector System Wire-to-Board, Wire-to-Wire

Accessory Type TPA (Terminal Position Assurance)

Color Blue

Material PBT GF

↓ **PRODUCT DRAWING**
English

↓ **3D PDF**

DOCUMENTATION

Product Drawings

PRODUCT GROUP DRAWING: TAB HOUSING (2.8mm), 6-21POS. AND SECONDARY LOCKING DEVICE

PDF

English

PRODUCT GROUP DRAWING FOR: JUNIOR POWER TIMER HSG., 6-21POS. AND SECONDARY LOCKING DEVICE

PDF

English

SECONDARY LOCKING DEVICE FOR 6POS. HSG.

PDF (TIFF AVAILABLE)

English

CAD Files

Customer View Model

2D_DXF.ZIP

English

3D PDF

PDF

3D

Customer View Model

3D_IGS.ZIP

English

Customer View Model

3D_STP.ZIP

English

FEATURES



Please review product documents or [contact us](#) for the latest agency approval information.

Please Note: Use the Product Drawing for all design activity.

Product Type Features

Connector System Wire-to-Board, Wire-to-Wire

Accessory Type TPA (Terminal Position Assurance)

Body Features

Color Blue

Material PBT GF

Usage Conditions

Operating Temperature Range -40 – 140 °C [-40 – 284 °F]

Industry Standards

UL Flammability Rating UL 94-HB

Packaging Features

Packaging Method Carton

Other

Serviceable Yes

Statement of Compliance

Statement of Compliance

PDF