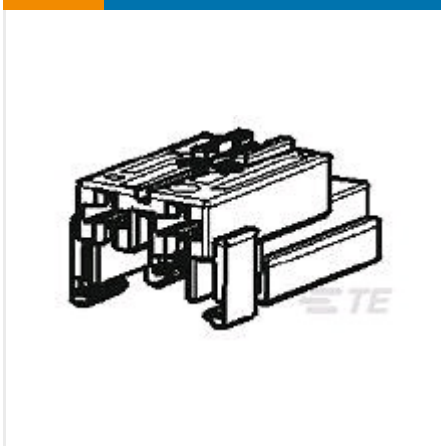




**CONNECTORS**

**AUTOMOTIVE, TRUCK, BUS, & OFF-ROAD HOUSINGS**



✓ Active

TE CONNECTIVITY (TE)

## JPT/MT3 BU-GEH 4P

AMP | Junior Power Timer , Micor Timer III , Timer Connector System

968182-1

TE Internal Number: 968182-1

EU RoHS Compliant

EU ELV Compliant

**Connector Style** Housing for female terminals

**Mating Tab Width (mm)** 1.6, 2.8

**Mating Tab Width (in)** .063, .11

**Connector System** Wire-to-Wire

**Number of Positions** 4

**Centerline (Pitch) (mm)** 5.5, 8

**Centerline (Pitch) (in)** .217, .315

[↓ PRODUCT DRAWING](#)  
English

[↓ 3D PDF](#)

## DOCUMENTATION

Product Drawings

### 4 Pol. Buchsengehaeuse (2xJPT-Kontakt + 2x MT3-Kontakt)

PDF

English

CAD Files

**3D PDF**

PDF

3D

**Customer View Model**

2D\_DXF.ZIP

English

### Customer View Model

3D\_IGS.ZIP

English

### Customer View Model

3D\_STP.ZIP

English

## FEATURES



Please review product documents or [contact us](#) for the latest agency approval information.

Please Note: Use the Product Drawing for all design activity.

### Product Type Features

**Connector Style** Housing for female terminals

**Connector System** Wire-to-Wire

**Sealable** No

**Hybrid Connector** Yes

**Primary Locking Feature** On the terminal

**Strain Relief** No

**Row-to-Row Spacing** 4.3 mm [ .169 in ]

### Configuration Features

**Number of Positions** 4

**Number of Rows** 2

### Body Features

**Color** Black

**Cable Exit Angle** 180°

**Body Material** Other

### Contact Features

**Mating Tab Width (mm)** 1.6, 2.8

**Mating Tab Width (in)** .063, .11

### Mechanical Attachment

**Mounting Feature** No

**Polarized** Yes

### Housing Features

**Centerline (Pitch) (mm)** 5.5, 8

**Centerline (Pitch) (in)** .217, .315

### Dimensions

**Width** 33.7 mm [ 1.327 in ]

**Height** 13.7 mm [ .539 in ]

**Length** 16.9 mm [ .665 in ]

---

Operation/Application

**Circuit Application** Signal

---

Industry Standards

**UL Flammability Rating** UL 94-HB

---

Packaging Features

**Packaging Method** Carton

---

Other

**Connector Position Assurance Capable** No

**Serviceable** No

---

## PRODUCT COMPLIANCE



Statement of Compliance

**Statement of Compliance**

PDF

---