

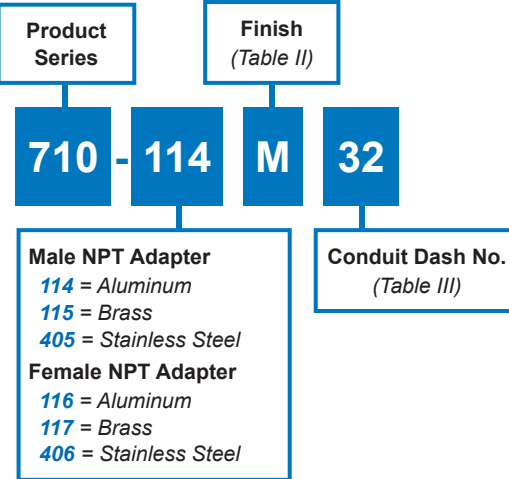


# Male & Female Series Metal Straight Tapered Pipe Thread Adapters for Series 72 & 74 Tubing and Series 75 Conduit

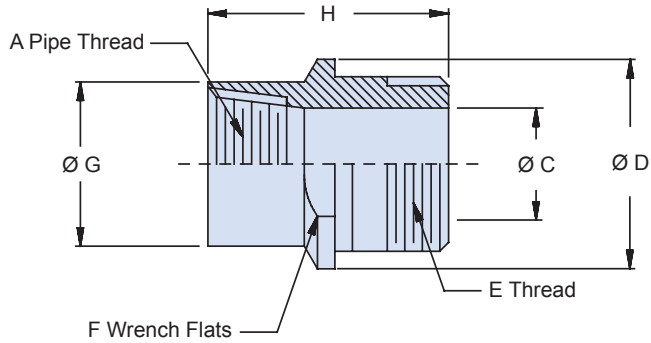
*Metal straight tapered pipe thread adapters mate with transition fittings*



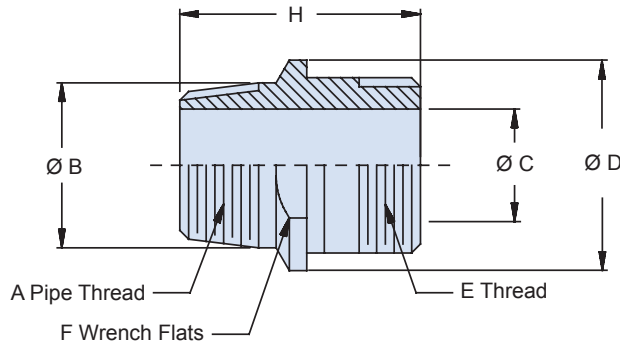
**How To Order**



710-116/117/406



710-114/115/405



**Male & Female Series  
Metal Straight Tapered Pipe Thread Adapters  
for Series 72 & 74 Tubing and Series 75 Conduit**



Table II: Finish	
Sym	Finish
B	Olive Drab over Cadmium Plate
J	Gold Iridite over Cadmium Plate over Nickel
M	Electroless Nickel
N	Olive Drab over Cadmium Plate over Nickel
NC	Zinc Cobalt, Olive Drab
NF	Olive Drab over Cadmium Plate over Electroless Nickel (1000 Hour salt Spray)
T	Bright Dip Cadmium over Nickel
Z1	Passivate

Table II: Conduit Dash No./Dimensions									
Conduit Dash No.	A Pipe Thread.	Ø B	Ø C	Ø D Max	E Thread Class 2A	F Dim	Ø G Max	H Max	
08	1/4	.540 (13.7)	.250 (6.4)	.72 (18.3)	1/2 - 20 UNF	.625 (15.9)	.625 (15.9)	1.31 (33.3)	
12	3/8	.675 (17.1)	.375 (9.5)	1.01 (25.7)	5/8 - 24 UNEF	.875 (22.2)	.875 (22.2)	1.31 (33.3)	
16	1/2	.840 (21.3)	.500 (12.7)	1.15 (29.2)	3/4 - 20 UNEF	1.000 (25.4)	1.000 (25.4)	1.38 (35.1)	
24	3/4	1.050 (26.7)	.750 (19.1)	1.44 (36.6)	1 - 20 UNEF	1.250 (31.8)	1.250 (31.8)	1.52 (38.6)	
32	1	1.315 (33.4)	1.000 (25.4)	1.73 (43.9)	1 5/16 - 18 UNEF	1.500 (38.1)	1.500 (38.1)	1.83 (46.5)	
40	1 1/4	1.660 (42.2)	1.250 (31.8)	2.02 (51.3)	1 1/2 - 18 UNEF	1.750 (44.5)	1.750 (44.5)	1.85 (47.0)	
48	1 1/2	1.900 (48.3)	1.500 (38.1)	2.60 (66.0)	1 3/4 - 18 UNS	2.250 (57.2)	2.125 (54.0)	1.85 (47.0)	
64	2	2.375 (60.3)	2.000 (50.8)	2.89 (73.4)	2 1/4 - 16 UN	2.500 (63.5)	2.500 (63.5)	1.85 (47.0)	

# Mouser Electronics

Authorized Distributor

Click to View Pricing, Inventory, Delivery & Lifecycle Information:

## Glenair:

[710-114B16](#) [710-114M16](#) [710-114M24](#) [710-114M32](#) [710-114M64](#) [710-114N24](#) [710-114NF16](#) [710-114NF24](#) [710-114NF32](#) [710-115N16-349](#) [710-115NF12](#) [710-115NF16](#) [710-115NF24](#) [710-115NF40](#) [710-115NF64](#) [710-116M16](#) [710-116NF24](#) [710-116NF48](#)