



WINSLOW ADAPTICS

Data Sheet Screw Machined Wire Wrap I.C. Sockets W30600T3RC - W30600T3 - W30600G3 W30600TT3RC

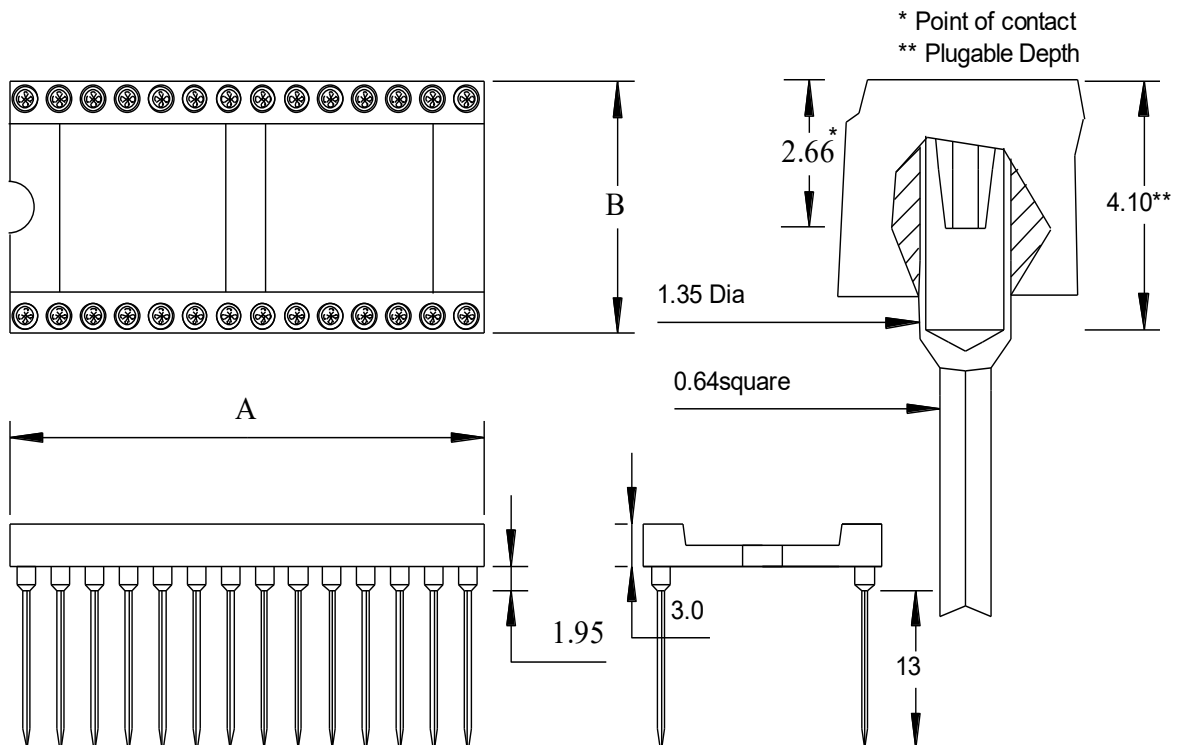
The W30600 Series uses a screw machined half hard brass outer pin with a beryllium copper contact. The Outer pin has 3 plating options; RoHS compliant Tin, Tin/Lead or Gold. The beryllium copper contact can be Gold or pure Tin.

Moulding material is 30%GF PBT rated to UL 94 V-0 and features include a pin incorporating a straight knurled barrel to alleviate pin rotation during the wrapping process.

The following table explains the plating options for the range.



SUFFIX	OUTER PLATING	CONTACT PLATING
T3RC	Pure Tin (RoHS Compliant)	Gold
T3	Tin Lead	Gold
G3	Gold	Gold
TT3RC	Pure Tin (RoHS Compliant)	Pure Tin (RoHS Compliant)



ALL DIMENSIONS IN MM UNLESS OTHERWISE STATED



WINSLOW ADAPTICS

Data Sheet
Screw Machined Wire Wrap I.C. Sockets
W30600T3RC - W30600T3 - W30600G3
W30600TT3RC

PART NUMBER*	PINS	PITCH	A	B
W30604	4	7.62	5.00	10.14
W30606	6	7.62	7.54	10.14
W30608	8	7.62	10.08	10.14
W30610	10	7.62	12.62	10.14
W30614	14	7.62	17.70	10.14
W30616	16	7.62	20.24	10.14
W30618	18	7.62	22.78	10.14
W30620	20	7.62	25.32	10.14
W30622	22	10.16	27.86	12.68
W30624/3	24	7.62	30.40	10.14
W30624/4	24	10.16	30.40	12.68
W30624	24	15.24	30.40	17.66
W30628/3	28	7.62	35.48	10.14
W30628/4	28	10.16	35.48	12.68
W30628	28	15.24	35.48	17.66
W30632/4	32	10.16	40.56	12.68
W30632	32	15.24	40.56	17.66
W30636	36	15.24	45.64	17.66
W30640	40	15.24	50.72	17.66
W30642	42	15.24	53.26	17.66
W30648	48	15.24	60.88	17.66
W30650	50	15.24	63.42	17.66
W30650/9	50	22.86	63.42	25.38
W30652	52	15.25	65.96	17.66
W30652/9	52	22.86	65.96	25.38
W30664	64	22.86	81.20	25.38

* When ordering please remember to add your required suffix to the part number



WINSLOW ADAPTICS

Data Sheet – Screw Machined I.C. Sockets W30500TRC - W30500T - W30500G - W30500TTRC

General Specifications. Unless stated all values are typical.

Contact

Resistance:	See test results below.	Current Rating:	5.0 amps
Capacitance:	0.35pF max	Material:	Brass outer, beryllium copper inner.
*Plating: Outer;	W30600TRC3	Nickel 2.5Um/Pure Tin 6.0Um	
	W30600T3	60/40 tin/lead 2-3Um.	
	W30600G3	Nickel 2.5Um/Gold 0.1Um	
	W30600TTRC3	Nickel 2.5Um/Pure Tin 6.0Um	
*Plating: Inner;	W30600TRC3	Nickel 2.5Um/Gold 0.1Um	
	W30600T3	Nickel 2.5Um/Gold 0.1Um	
	W30600G3	Nickel 2.5Um/Gold 0.1Um	
	W30600TTRC3	Nickel 2.5Um/ Pure Tin 0.1Um	

Note: Other plating specs available. Please contact sales@winslowadaptics.com with your requirements.

Insertion Force:	350 grams per pin 0.018" diameter
Withdrawal Force:	250 grams per pin 0.018" diameter.
Force to remove from moulding:	12lb minimum

Moulding

Material:	Glass-reinforced Polyester (PBT)
Insulation Resistance:	1010 Ohms (contact to contact) at 500VDC
Arc Resistance:	145 seconds at 23 degrees C
Electrical Strength:	121KV/cm at 23 degrees C
Dielectric Constant:	3.9 (48 hrs 90%RH) at 100Hz 23 degrees C
	4.5 at 100Hz 121 degrees C
	3.7 (48 hrs 90%RH) at 1MHz 23 degrees C
	4.3 at 1MHz 121 degrees C
Dissipation Factor:	0.0077 (48 hrs 30%RH) at 100Hz 23 degrees C
	0.0300 at 100Hz 121 degrees C
	0.0150 (48 hrs 30%RH) at 1MHz 23 degrees C
	0.0200 at 1MHz 121 degrees C
Volume Resistivity:	3 x 1013ohms-CM (48 hrs 90%RH) at 25 degrees C
	1013ohms-CM at 121 degrees C
Operating Temperature:	-65 to 150 degrees C
Flammability:	UL94V-0

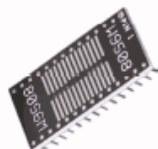
Note: Dimensions are subject to change without prior notice.

sales@winslowadaptics.com

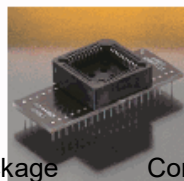
DIP Support products from Winslow Adaptics



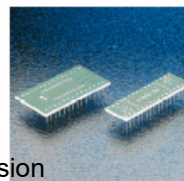
Custom Upgrades



Package



Conversion



Pitch Change

Also available from Winslow Adaptics are cost effective, time saving solutions to test, obsolescence,