

Product Information



8470UFD125P62

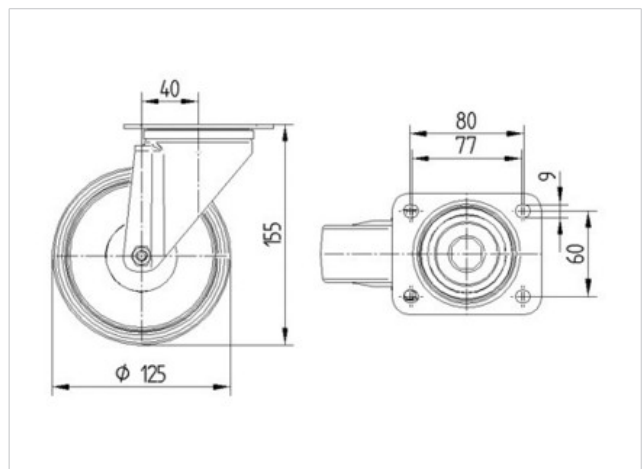
EAN 4031582346800

Swivel castor, housing made of Stainless Steel, double ball bearing swivel head, wheel axle with nut, plate fitting.

Wheel centre made of Polyamide, Tread: elastic-tyre, non-marking, roller bearing, stainless



Technical Data	
Wheel diameter	125 mm
Width of Tread	40 mm
Size of Plate	105 x 85 mm
Plate hole centres	80/77 x 60 mm
Plate hole	9 mm
Offset	40 mm
Swivel Interference	205 mm
Overall height	155 mm
Temperature	- 20 / + 80 °C
Standard	EN 12532
Weight	1.006 kg
Swivel Radius	102.5 mm
Hardness of tread	A 64 Shore
Load capacity	250 kg
Load capacity (static)	500 kg



Roll performance	+	+	+	+	+
Movement noise	+	+	+	+	+
Attrition	+	+	+	+	+
Corrosion resistance	+	+	+	+	+



8470UFD125P62

EAN 4031582346800

