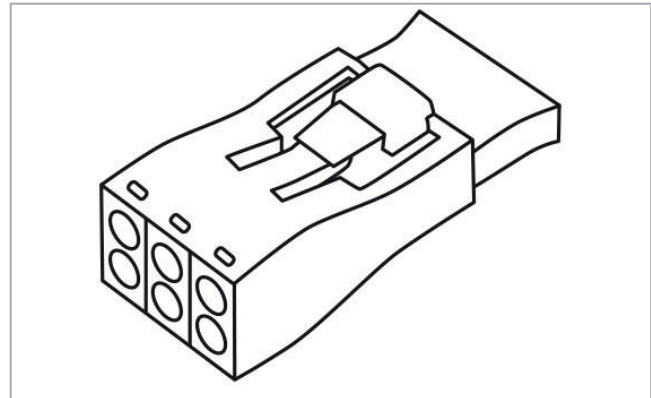
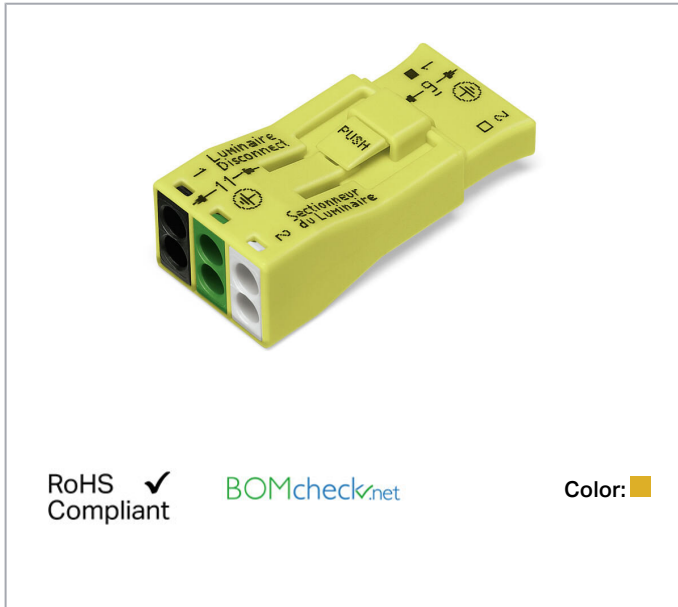


Data sheet | Item number: 873-953

Luminaire disconnect connector; 3-pole; 4,00 mm²; yellow

www.wago.com/873-953



Data

Electrical data

Ratings per IEC/EN 60664-1

Ratings per	EN 60998
Nominal voltage (II/2)	400 V
Rated surge voltage (II/2)	4 kV
Rated current	6 A
Ratings per	EN 61984

Connection data

Connection type (1)	Plug
Connection technology	PUSH WIRE®
Actuation type	Push-in
Connectable conductor materials	Copper
Solid conductor	0.75 ... 4 mm ² / 18 ... 12 AWG
Stranded conductor	1.5 ... 2.5 mm ² / 16 ... 12 AWG

Subject to changes. Please also observe the further product documentation!

WAGO Kontakttechnik GmbH & Co. KG
Hansastr. 27
32423 Minden
Phone: +49571 887-0 | Fax: +49571 887-169
Email: info.de@wago.com | Web: www.wago.com

Do you have any questions about our products?
We are always happy to take your call at +49 (571) 887-44222.

Strip length	11 ... 13 mm / 0.43 ... 0.51 inch
Pole No.	3
Connection type 2	Socket
Solid conductor 2	0.75 mm ² / 18 AWG
Strip length 2	9 ... 11 mm / 0.35 ... 0.43 inch
Total number of connection points	9
Total number of potentials	3

Physical data

Width	19 mm / 0.748 inch
Height	13.2 mm / 0.52 inch
Depth	42 mm / 1.654 inch

Material Data

Color	yellow
Fire load	0.144 MJ
Weight	7 g

Commercial data

Product Group	8 (Misc. Chassis Mount Blocks)
Packaging type	bag
Country of origin	CN
GTIN	4050821857952
Customs tariff number	85366990990

Approvals / Certificates

Country specific Approvals

Logo	Approval	Additional Approval Text	Certificate name
	CCA DEKRA Certification B.V.	EN 61984	NTR NL-7390
	CCA DEKRA Certification B.V.	EN 61984	2178521.01
	CCA	EN 60998	2178521.02

Subject to changes. Please also observe the further product documentation!



DEKRA Certification B.V.



	CCA DEKRA Certification B.V.	EN 60998	NTR NL-7391
	CSA DEKRA Certification B.V.	C22.2 No. 182.3	154112 (LR 18677)

UL-Approvals

Logo	Approval	Additional Approval Text	Certificate name
	UL UL International Germany GmbH	UL 2459	E313353

**Downloads
Documentation**

Bid Text

873-953 X81 - Datei	Feb 19, 2019	xml 3.2 kB	Download
873-953 docx - Datei	Feb 21, 2019	docx 15.4 kB	Download

Additional Information

Technical explanations	Apr 3, 2019	pdf 2.2 MB	Download
------------------------	-------------	---------------	----------

CAD/CAE-Data

CAD data

2D/3D Models 873-953	URL	Download
----------------------	-----	----------

CAE data

Subject to changes. Please also observe the further product documentation!

WAGO Kontakttechnik GmbH & Co. KG
 Hansastr. 27
 32423 Minden
 Phone: +49571 887-0 | Fax: +49571 887-169
 Email: info.de@wago.com | Web: www.wago.com

Do you have any questions about our products?
 We are always happy to take your call at +49 (571) 887-44222.



Installation Notes

Subject to changes. Please also observe the further product documentation!

WAGO Kontakttechnik GmbH & Co. KG
Hansastr. 27
32423 Minden
Phone: +49571 887-0 | Fax: +49571 887-169
Email: info.de@wago.com | Web: www.wago.com

Do you have any questions about our products?
We are always happy to take your call at +49 (571) 887-44222.