

SIZE	Part Num.	Threading	Headscrew	Packaging
25	8655MH2501BLF	UNC 4.40	Black	BULK (see note 1)
	8655MH2501BKLF	UNC 4.40	Black	KIT (see note 2)
	8655MH2502BLF	M3	Grey	BULK
	8655MH2502BKLF	M3	Grey	KIT

NOTES:

Material and finish: Zinc die-cast
Nickel plated

Cable strain relief: Polycarbonate (UL94V-0)

Jackscrews:

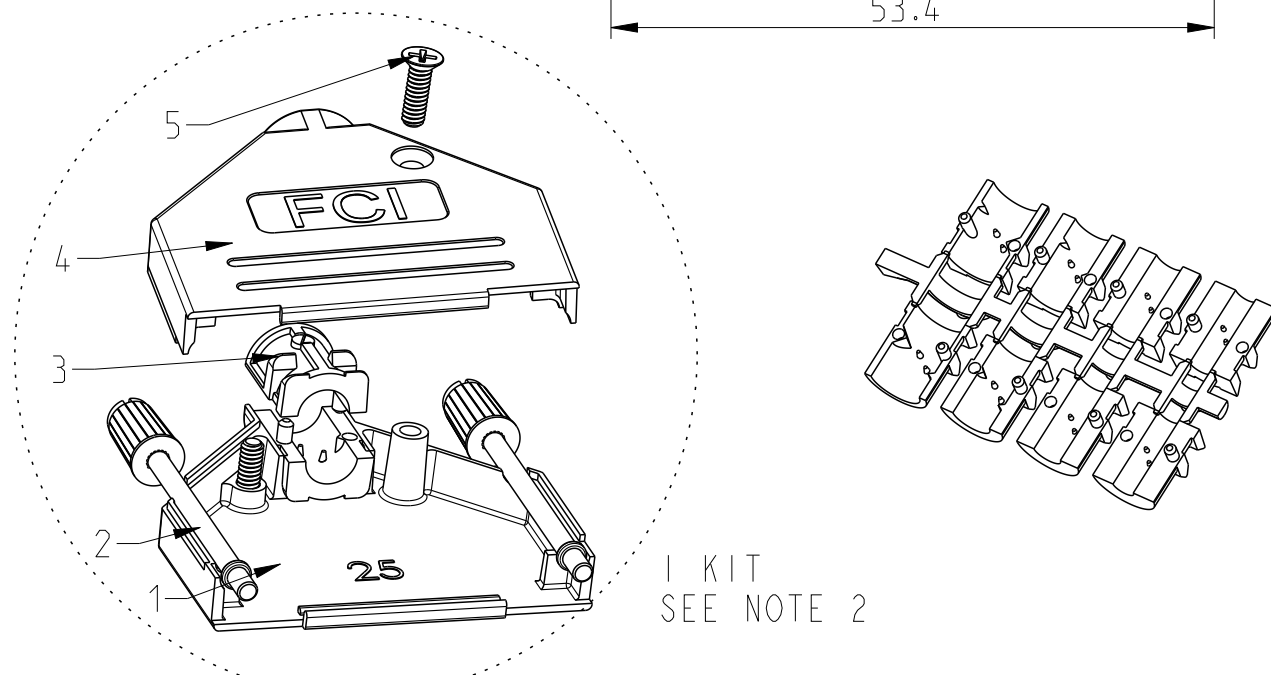
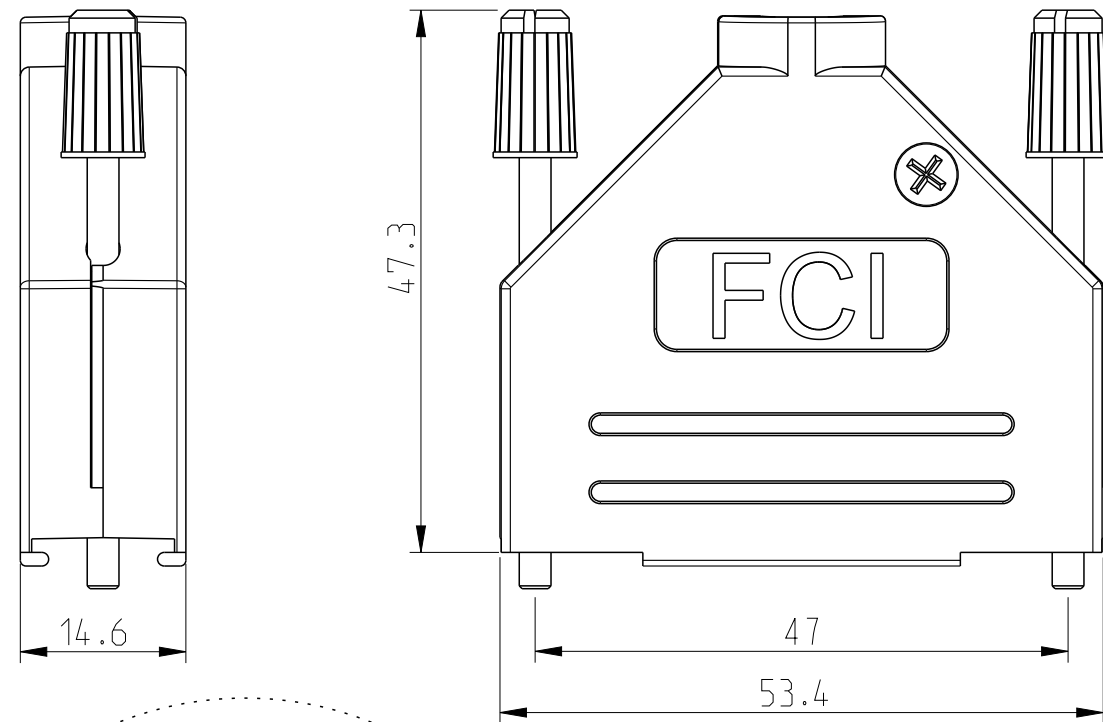
- Headscrew : plastic, color according threading
- Body : metal, threading according tables

Temperature range: -40°C to 120°C
Cable diameter: 4,0 to 13,0mm
Attenuation factor: >40 dB between 30MHz and 1 GHz
Marking FCI logo: Height 6 mm for all versions

Covers screwing force (max): 100 Ncm
Jackscrew screwing force (max): 50 Ncm

Packaging notes (see tables):

- 1 - Bulk : Every spare part packaged per 100 or 200 into plastic bag.5 plastic bags per carton box. 1 plastic bag per part.
- 2 - Kit : 1 set of spare parts necessary to realise 1 kit into a plastic bag. 100 plastic bags per carton box.



1 KIT
SEE NOTE 2

NOTE:RoHS INFORMATIONS

- The "LF" product meets European union Directives and other country regulations as described in GS-22-008.
- The product is not intended to be exposed to a manufacturing solder process.
- Packaging spec: see GS-14-920.



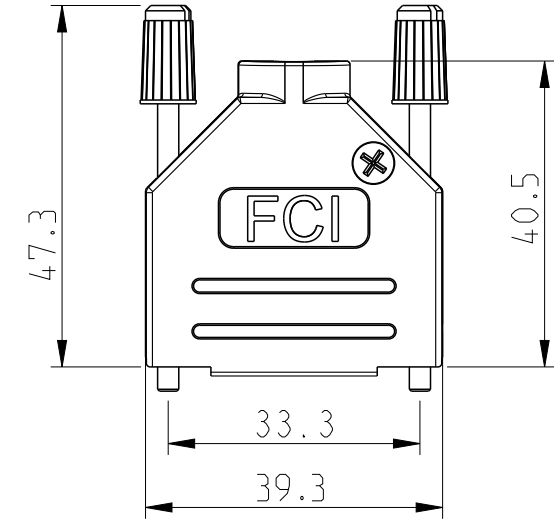
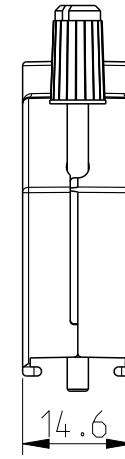
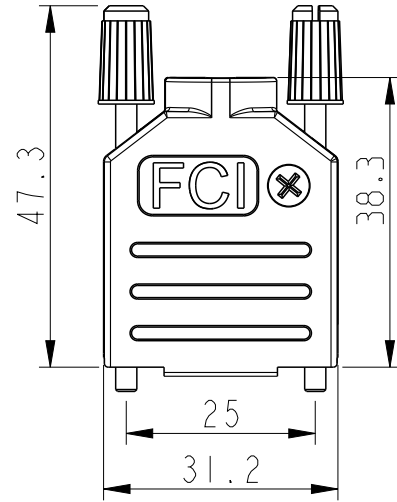
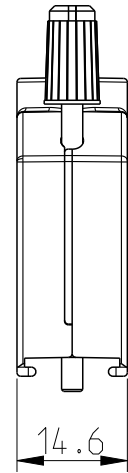
Copyright FCI.

DESIGNATION	REP.	09	15	25	37
COVER BOTTOM	1			1	
JACKSCREW	2			2	
STRAIN RELIEF	3			2	
COVER TOP	4			1	
SCREW POZIDRIVE	5			2	

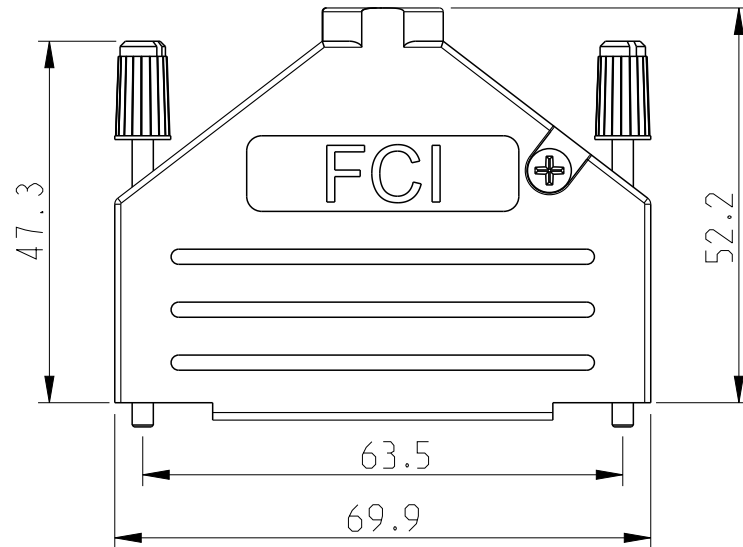
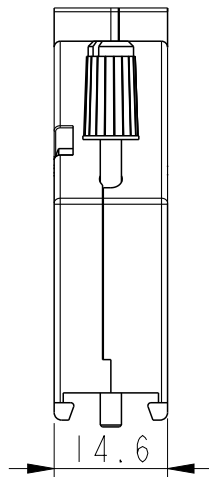
spec ref	dr	A Parrenin	2009/05/20	projection	mm	size	A3	scale	3:2
tolerance std	eng	A Maisieres	2015/10/29			ecn no	ELX-F-22343-1	rel level	Released
ISO 406 ISO 1101	chr	J Dalibard	2015/10/29						
surface	linear		0.X	±/		D-SUB METAL HOODS	dwg no 10085962	rev E	
			0.XXX	±/					
ISO 1302	angular	0°	±/°		cat. no. Product - Customer Drw	sheet 1 of 3			

SIZE	Part Num.	Threading	Headscrew	Packaging
09	8655MH0901BLF	UNC 4.40	Black	BULK (see note 1)
	8655MH0901BKLF	UNC 4.40	Black	KIT (see note 2)
	8655MH0902BLF	M3	Grey	BULK
	8655MH0902BKLF	M3	Grey	KIT

SIZE	Part Num.	Threading	Headscrew	Packaging
15	8655MH1501BLF	UNC 4.40	Black	BULK (see note 1)
	8655MH1501BKLF	UNC 4.40	Black	KIT (see note 2)
	8655MH1502BLF	M3	Grey	BULK
	8655MH1502BKLF	M3	Grey	KIT



SIZE	Part Num.	Threading	Headscrew	Packaging
37	8655MH3701BLF	UNC 4.40	Black	BULK (see note 1)
	8655MH3701BKLF	UNC 4.40	Black	KIT (see note 2)
	8655MH3702BLF	M3	Grey	BULK
	8655MH3702BKLF	M3	Grey	KIT



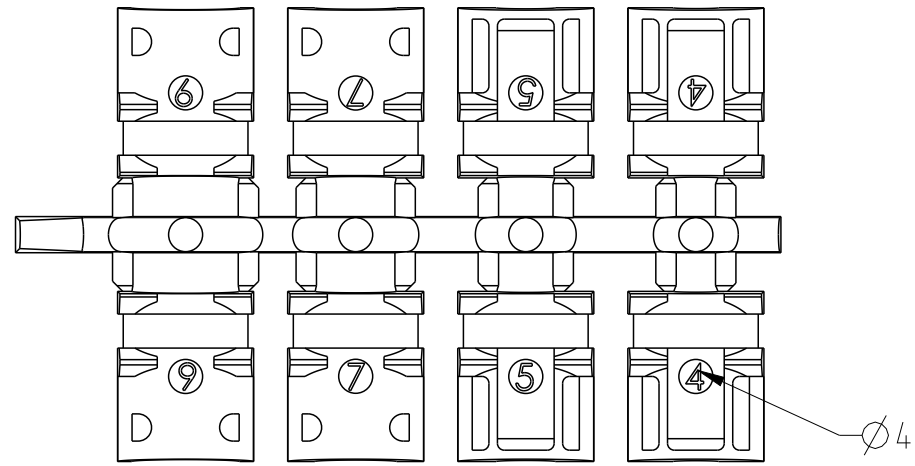
spec ref	dr	A Parrenin	2009/05/20	projection	mm	size	A3	scale	1:1
tolerance std	eng	A Maisieres	2015/10/29			ecn no	ELX-F-22343-1	rel level	Released
ISO 406 ISO 1101	chr	J Dalibard	2015/10/29						
surface	appr	Aymeric Soudy	2015/10/29			title D-SUB METAL HOODS STRAIGHT		dwg no 10085962	rev E
ISO 1302	linear 0.X ±/ 0.XX ±/ 0.XXX ±/		angular 0° ±/°		www.fci.com	cat. no.	Product - Customer Drw	sheet 2 of 3	



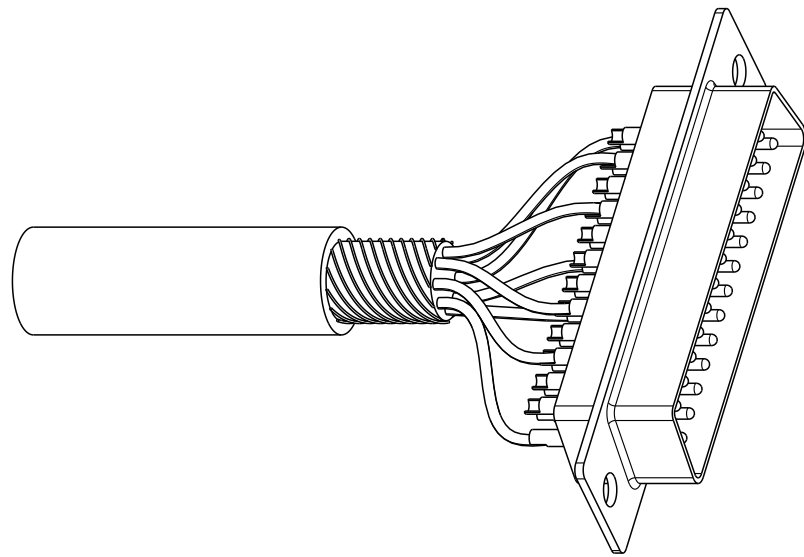
Copyright FCI.

CABLING INSTRUCTIONS FOR CABLE Ø 4, 5, 7 or 9 mm

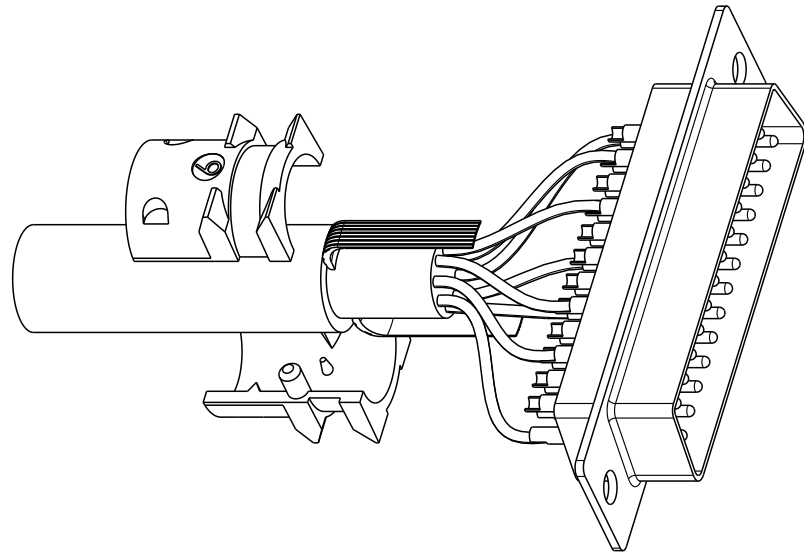
1- Use two halves of strain relief, different sizes can be mixed (Ø4,5,7 or 9)



2- Strip cable 18mm and shape to two pigtails



3- Attach the strain relief around the cable

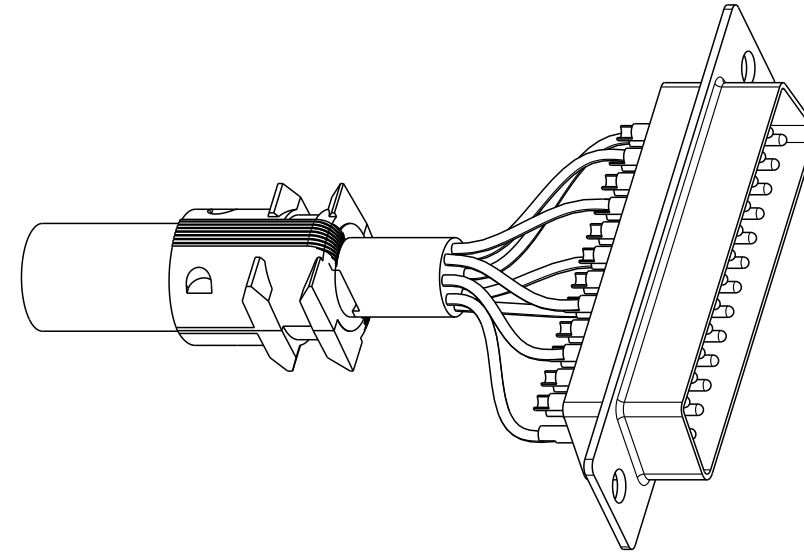


CABLING INSTRUCTIONS FOR CABLE

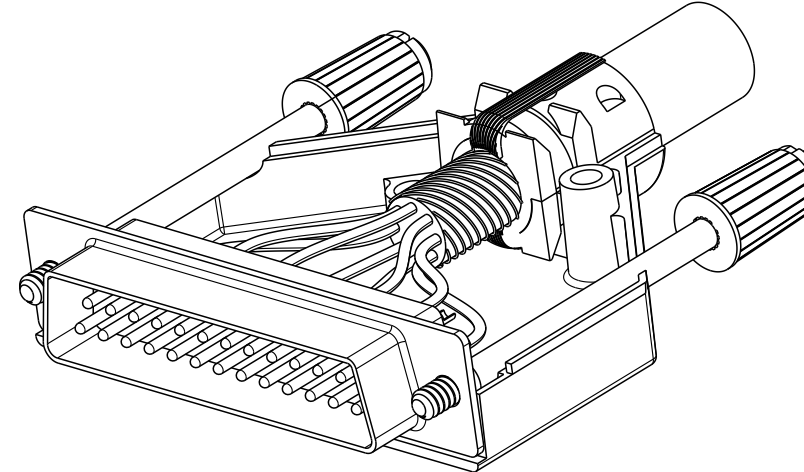
Ø > 9 to 11 mm

1- Use one half of strain relief, (Ø9).

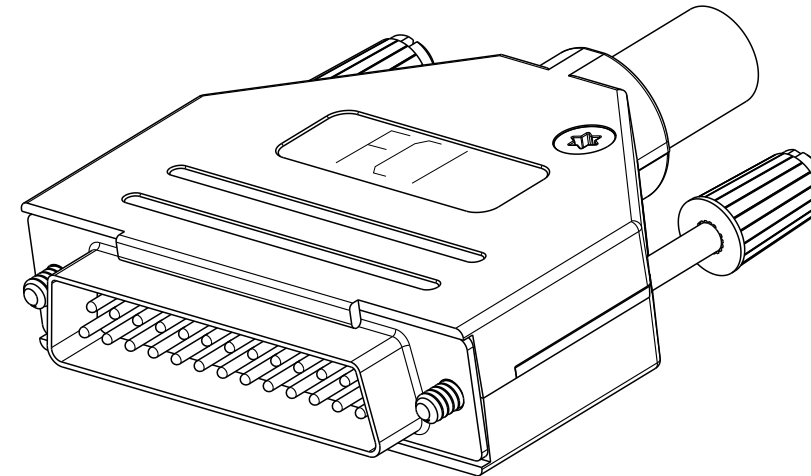
4- Bend cable shielding back on outside of strain relief



5- Mount connector and cable into the backshell



6- Assemble the other half screwing force: 100 Ncm



spec ref	dr A Parrenin 2009/05/20			projection	mm	size A3	scale 3:2
tolerance std	eng A Maisieres 2015/10/29					ecn no ELX-F-22343-1	rel level Released
ISO 406 ISO 1101	chr J Dalibard 2015/10/29						
surface ✓ ISO 1302	linear	0.X	±/		title D-SUB METAL HOODS STRAIGHT	dwg no 10085962	rev E
		0.XX	±/				
		0.XXX	±/				
	angular	0°	±/°	www.fci.com	cat. no.	Product - Customer Drw	sheet 3 of 3