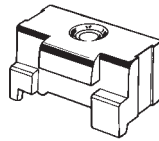
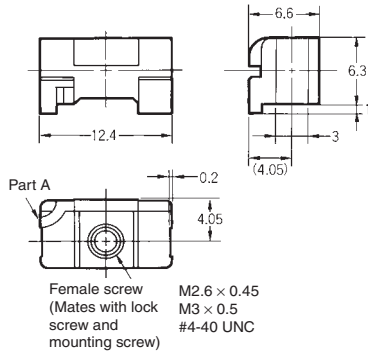


Anchor 1 (Rectangular)
XM2Z-0001
(M2.6 × 0.45 metric screws)
XM2Z-0002
(M3.0 × 0.5 metric screws)
XM2Z-0003
(#4-40 UNC inch screws)



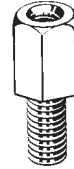
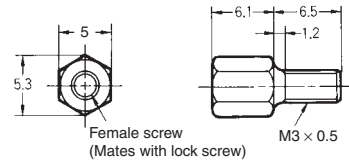
Materials and Finish
 Zinc die-cast/nickel plated



Note: When using a Dust Cover, secure the holding ring at part A.

Model
XM2Z-0001
XM2Z-0002
XM2Z-0003

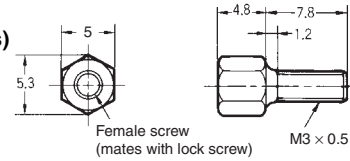
Anchor 2 (Hexagonal)
XM2Z-0011
(M2.6 × 0.45 metric screws)
XM2Z-0012
(M3.0 × 0.5 metric screws)
XM2Z-0013
(#4-40 UNC inch screws)



Materials and Finish
 Iron/nickel plated

Model
XM2Z-0011
XM2Z-0012
XM2Z-0013

Anchor 3 (Hexagonal)
XM2Z-0021
(M2.6 × 0.45 metric screws)
XM2Z-0022
(M3.0 × 0.5 metric screws)
XM2Z-0023
(#4-40 UNC inch screws)



Materials and Finish
 Iron/nickel plated

Model
XM2Z-0021
XM2Z-0022
XM2Z-0023

Note: Anchor 3 is used for panel mounting Connectors. Applicable panel thickness is 0.6 to 1.3 mm.

Note: 2 anchors are necessary per connector.

Mouser Electronics

Authorized Distributor

Click to View Pricing, Inventory, Delivery & Lifecycle Information:

Omron:

[XM2Z-0013](#) [XM2Z-0003](#) [XM2Z-0001](#) [XM2Z-0023](#) [XM2Z-0011](#) [XM2Z-0012](#)