



SANYO Semiconductors

DATA SHEET

LA6502 — Monolithic Linear IC 5ch driver for CD and DVD Spindle driver : 3-phase linear sensor-less drive BTL 4ch

Overview

This LA6502 is a 5ch driver for CD and DVD Spindle driver : 3-phase linear sensor-less drive BTL 4ch.

Features

- Spindle driver block
 - 1) 3-phase sensor-less motor driver
 - 2) Soft switching drive
 - 3) Analog input V type control
 - 4) Current limiter incorporated
 - 5) Counter electromotive FG output
 - 6) Reverse prevention circuit incorporated
- Threading, focusing, tracking, and loading blocks
 - 1) BTL-AMP type
- Common block
 - 1) Thermal shutdown circuit incorporated (design guarantee)
 - 2) MUTE function incorporated (pin 3)
 - 3) OP-AMP (1ch) incorporated (open collector output)

Specifications

Absolute Maximum Ratings at Ta = 25°C

Parameter	Symbol	Conditions	Ratings	Unit
Motor Supply Voltage 1	V _{CC1}	SPINDLE, SLED, LOADING power supply	14.5	V
Motor Supply Voltage 2	V _{CC2}	FOCUS, TRACKING power supply	14.5	V
Allowable power dissipation	Pd max1	Independent IC	0.8	W
	Pd max2	Mounted on a specified board. *	1.7	W

* Mounted on a board : 114.3×76.1×1.6mm³, glass epoxy board.

Continued on next page.

■ Any and all SANYO Semiconductor Co.,Ltd. products described or contained herein are, with regard to "standard application", intended for the use as general electronics equipment (home appliances, AV equipment, communication device, office equipment, industrial equipment etc.). The products mentioned herein shall not be intended for use for any "special application" (medical equipment whose purpose is to sustain life, aerospace instrument, nuclear control device, burning appliances, transportation machine, traffic signal system, safety equipment etc.) that shall require extremely high level of reliability and can directly threaten human lives in case of failure or malfunction of the product or may cause harm to human bodies, nor shall they grant any guarantee thereof. If you should intend to use our products for applications outside the standard applications of our customer who is considering such use and/or outside the scope of our intended standard applications, please consult with us prior to the intended use. If there is no consultation or inquiry before the intended use, our customer shall be solely responsible for the use.

■ Specifications of any and all SANYO Semiconductor Co.,Ltd. products described or contained herein stipulate the performance, characteristics, and functions of the described products in the independent state, and are not guarantees of the performance, characteristics, and functions of the described products as mounted in the customer's products or equipment. To verify symptoms and states that cannot be evaluated in an independent device, the customer should always evaluate and test devices mounted in the customer's products or equipment.

SANYO Semiconductor Co., Ltd.

TOKYO OFFICE Tokyo Bldg., 1-10, 1 Chome, Ueno, Taito-ku, TOKYO, 110-8534 JAPAN

LA6502

Continued from preceding page.

Parameter	Symbol	Conditions	Ratings	Unit
Maximum input voltage	$V_{IN\ max}$		-0.3 to $V_{CC}+0.3$	V
Maximum output current 1	$I_O\ max1$	SPINDLE output	1.0	A
Maximum output current 2	$I_O\ max2$	SLED output	0.6	A
Maximum output current 3	$I_O\ max3$	FOCUS, TRACKING output	0.85	A
Maximum output current 4	$I_O\ max4$	LOADING output	0.6	A
Operating temperature	T_{opr}		-20 to +75	°C
Storage temperature	T_{stg}		-55 to +150	°C

Recommended Operating Conditions at $T_a = 25^\circ\text{C}$

Parameter	Symbol	Conditions	Ratings	Unit
Motor Supply Voltage 1	V_{CC1}	SPINDLE, SLED, LOADING power supply	4.5 to 13.8	V
Motor Supply Voltage 2	V_{CC2}	FOCUS, TRACKING power supply	4.5 to 13.8	V

Electrical Characteristics at $T_a = 25^\circ\text{C}$, $V_{CC1} = 8\text{V}$, $V_{CC2} = 8\text{V}$, $V_{REF} = 1.65\text{V}$

Parameter	Symbol	Conditions	Ratings			Unit
			min	typ	max	
Common						
Current drain	I_{CC}	MUTE1, 2, 3 : H, $V_C = V_{REF}$		30	40	mA
Standby current	I_{CCQ}	MUTE1, 2, 3 : L		0.3	0.5	mA
VREF pin input voltage range	V_{REF}		1.0		3.3	V
VREF pin input current	I_{VREF}	$V_C = V_{REF} = 1.65\text{V}$	-0.2	-0.1		μA
MUTE1, 2, 3 L voltage	V_{MUTE-L}				0.5	V
MUTE1, 2, 3 H voltage	V_{MUTE-H}		2.8		4.5	V
MUTE1, 2, 3 input current	I_{MUTE}	$V_{MUTE} = 3\text{V}$		60	100	μA
Thermal shutdown operation temperature	TSD	Designed target value	150	180	210	°C
Thermal shutdown hysteresis width	ΔTSD	Designed target value		40		°C
Note) Design guarantee values, not measured.						
Spindle Driver						
Output saturation voltage	V_{OSAT_SP}	$I_O = 0.5\text{A}$, Source+Sink		1.8	2.4	V
CTL pin input voltage range	V_{CTL_SP}		0		5	V
CTL pin input current	I_{VCTL_SP}	$V_C = V_{REF} = 1.65\text{V}$		-0.2	-0.5	μA
Control gain	G_{VCO_SP}		0.29	0.34	0.39	V/V
Control dead zone width 1	V_{CDZ1_SP}	Forward		+90	150	mV
Control dead zone width 2	V_{CDZ2_SP}	Revers	-150	-90		mV
Current limiter voltage	V_{LIM_SP}		0.36	0.4	0.44	V
VCOIN input current	I_{VCOIN_SP}	$V_{COIN} = 3\text{V}$			1	μA
VCO min frequency	F_{VCOMIN_SP}	$CX = 0.01\mu\text{F}$, $V_{COIN} = \text{OPEN}$	0.35	0.45	0.55	kHz
VCO max frequency	F_{VCOMAX_SP}	$CX = 0.01\mu\text{F}$, $V_{COIN} = 5\text{V}$	36	40	44	kHz
C1,C2 source current ratio	R_{SOURCE_SP}	1-(IC1 SOURCE/IC2 SOURCE)	-10		10	%
C1,C2 sink current ratio	R_{SINK_SP}	1-(IC1 SINK/IC2 SINK)	-10		10	%
C1 source, sink current ratio	R_{C1_SP}	IC1 SOURCE/IC1 SINK	40		60	%
C2 source, sink current ratio	R_{C2_SP}	IC2 SOURCE/IC2 SINK	40		60	%
FGO pin H voltage	V_{FGOH_SP}	FGO resistance 20k Ω , 5V pull-up	4.8			V
FGO pin L voltage	V_{FGOL_SP}	FGO resistance 20k Ω , 5V pull-up		0.15	0.4	V
FR pin input voltage range	V_{FR}		0		5	V
FR pin input current	I_{FR}	$V_{FR} = 3\text{V}$		54	100	μA
Thread driver (AMP3)						
Output saturation voltage	V_{OSAT_3}	$I_O = 0.3\text{A}$, Source+Sink		1.5	1.8	V
Input voltage range	V_{IN_3}		0		5	V
CTL pin input current	I_{IN_3}	$V_{IN} = V_{REF} = 1.65\text{V}$	-0.5	-0.1		μA
Current gain	G_{VCO_3}		17.8	18.7	19.6	dB
Output offset voltage	V_{OFF_3}	Note)	-50	0	50	mV

Continued on next page.

LA6502

Continued from preceding page.

Parameter	Symbol	Conditions	Ratings			Unit
			min	typ	max	
Focusing and tracking drivers (AMP1, 2)						
Output saturation voltage	V_{OSAT_1}	$I_O = 0.6A$, Source+Sink		1.8	2.2	V
Input voltage range	V_{IN_1}		0		5	V
CTL pin input current	I_{IN_1}	$V_{IN} = V_{REF} = 1.65V$	-0.5	-0.1		μA
Control gain	GVC0_1		11.6	12.7	13.8	dB
Output offset voltage	V_{OFF_1}	Note)	-50	0	50	mV
Loading driver (AMP4)						
Output saturation voltage	V_{OSAT_4}	$I_O = 0.2A$, Source+Sink		1.3	1.6	V
Input voltage range	V_{IN_4}		0		5	V
CTL pin input current	I_{IN_4}	$V_{IN} = V_{REF} = 1.65V$	-0.5	-0.2		μA
Control gain	GVC0_4		17.8	18.7	19.6	dB
Output offset voltage	V_{OFF_4}	Note)	-50	0	50	mV
OP-AMP						
Output L voltage	V_{OL_5}	$I_O = 1mA$, Sink		0.2	0.4	V
Input voltage range	V_{IN_5}		0		5	V
Input offset voltage	V_{IOFF_5}		-5	0	5	mV

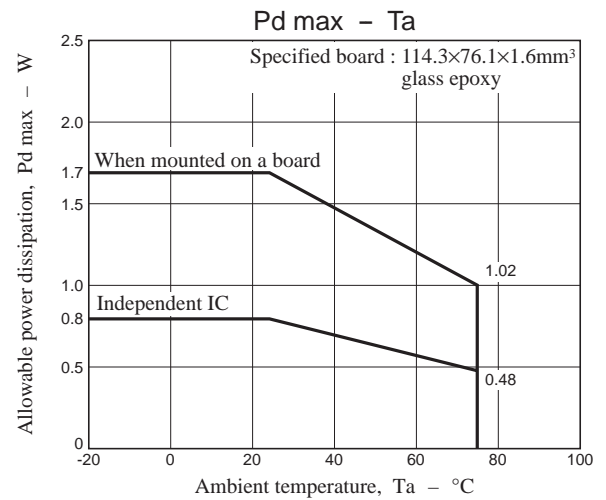
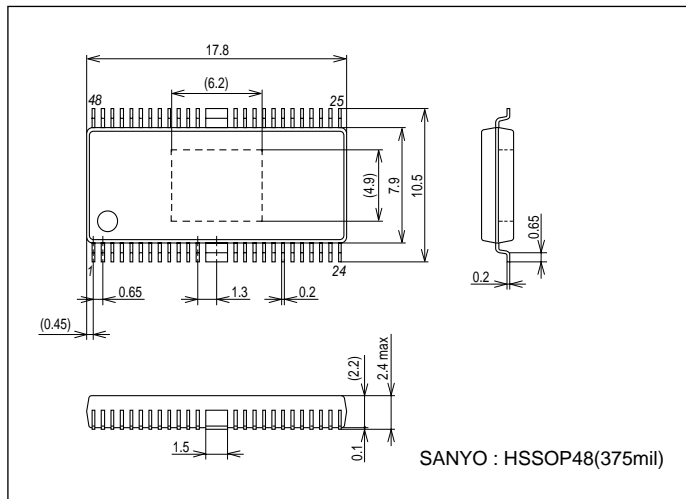
Note) The pre-OPAMP in the previous stage is used as buffer.

MUTE function	Mode
MUTE1 : H	SPINDLE : ON
MUTE2 : H	FOCUS, TRACKING, SLED : ON
MUTE3 : H	LOADENG : ON

Package Dimensions

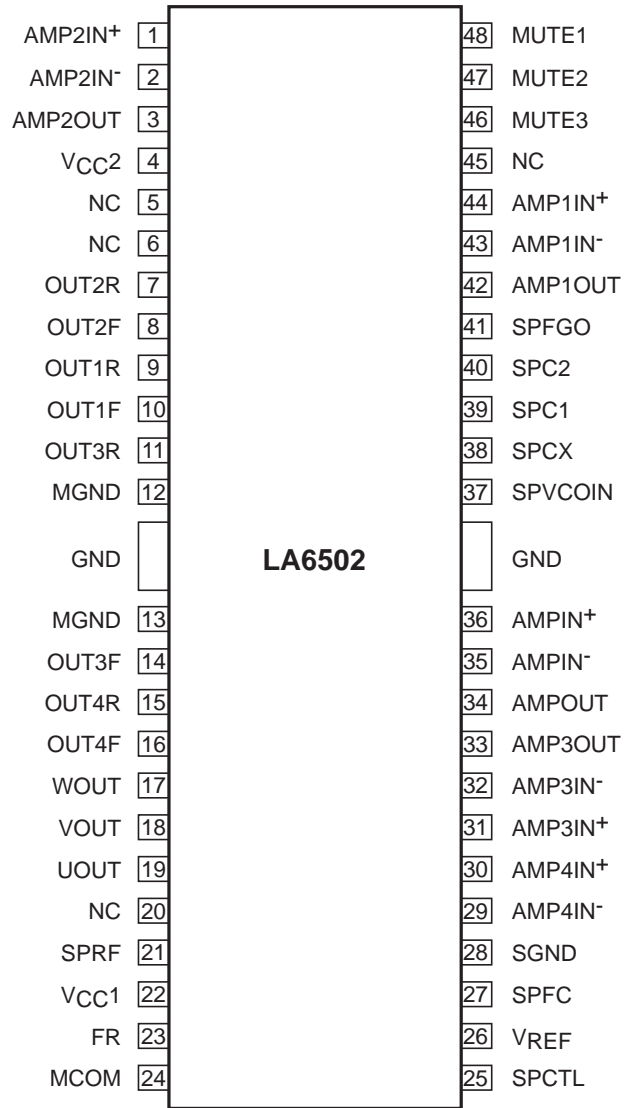
unit : mm (typ)

3278



LA6502

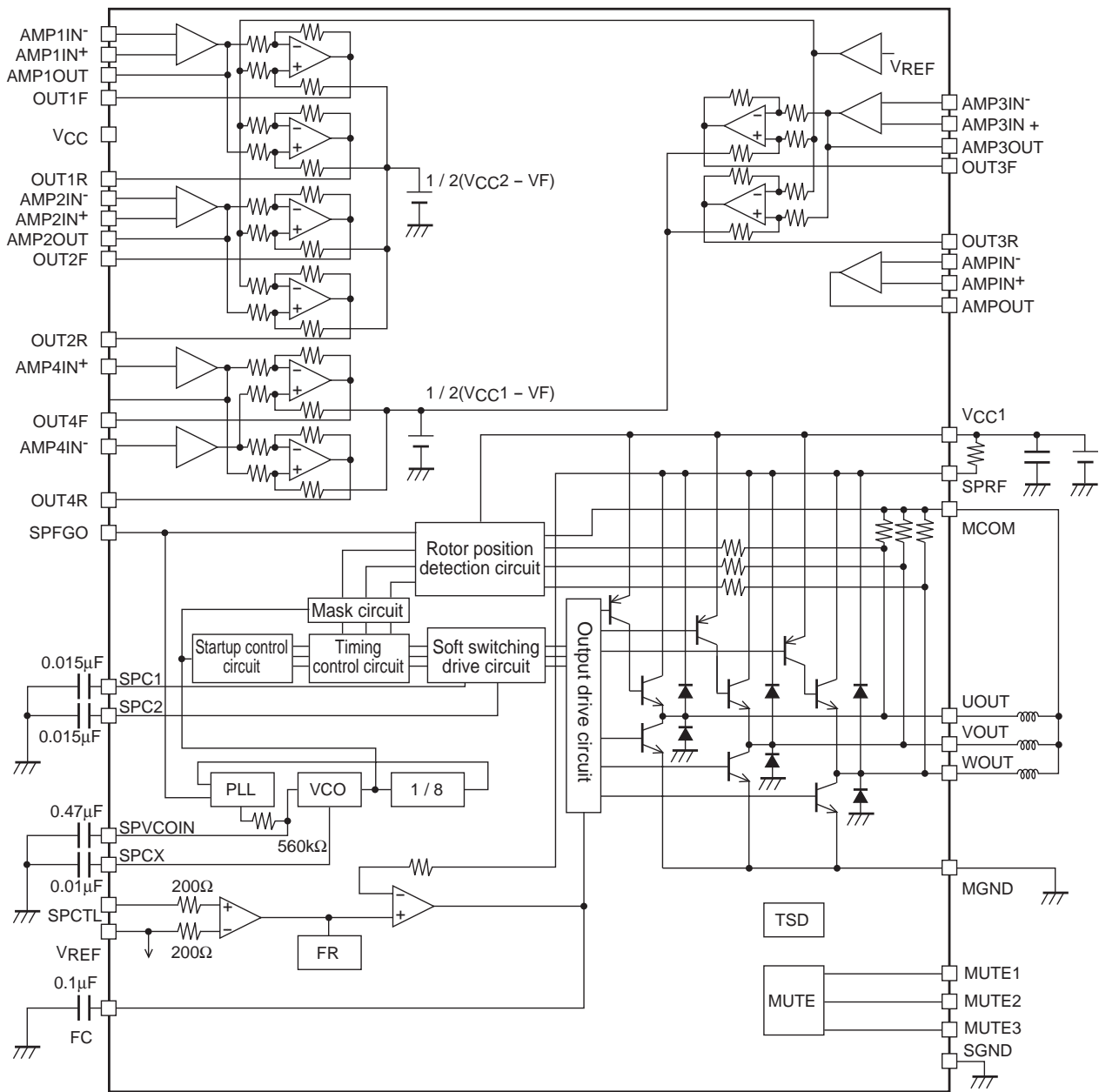
Pin Assignment



Top view

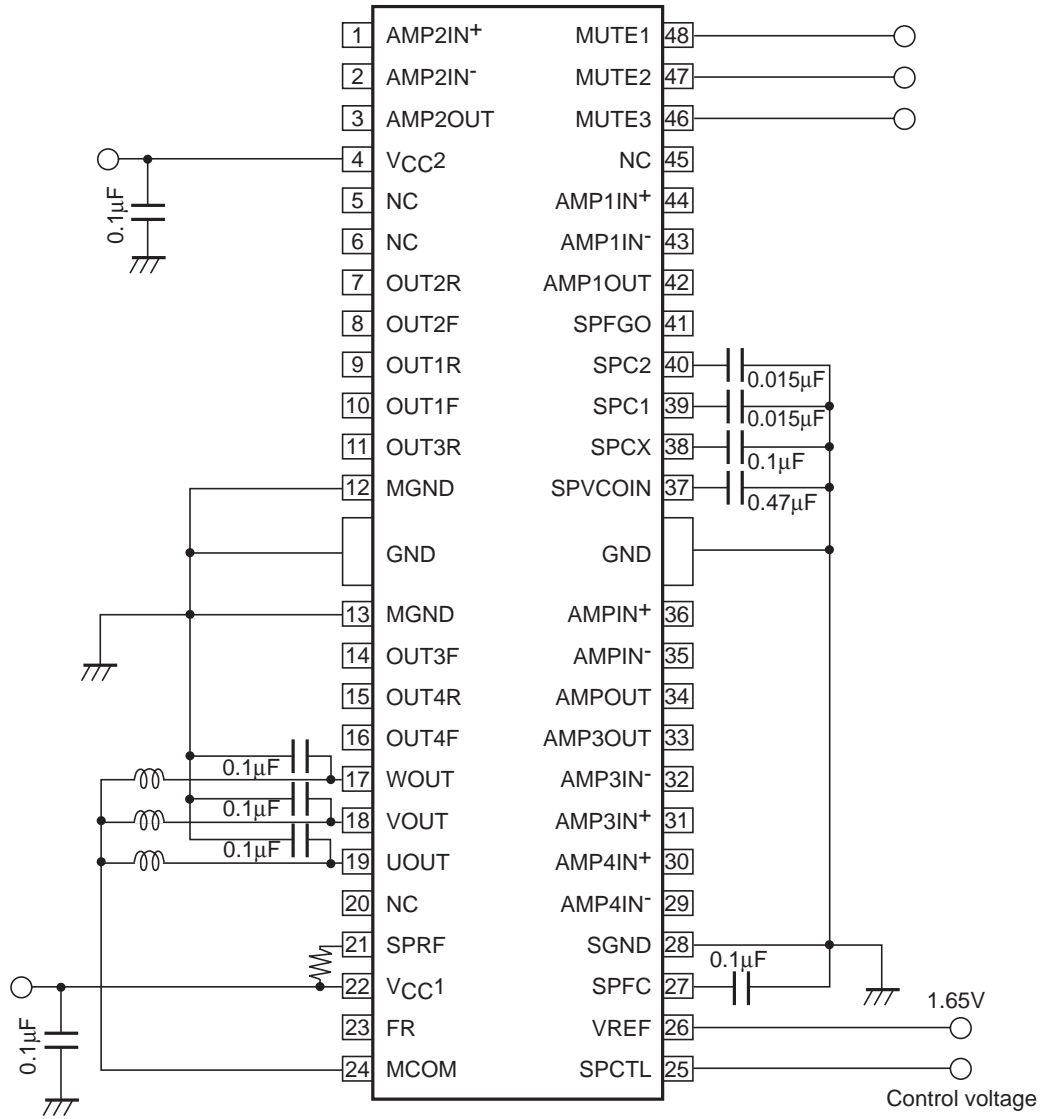
LA6502

Block Diagram (In certain applications, snubber may be added to the spindle motor coil output.)



LA6502

Sample Application Circuit (Spindle Block)



Note) The external constant is for reference only and the optimum constant may differ from one motor to another.

LA6502

Pin Function

Pin No.	Pin name	Function	Pin voltage	Equivalent circuit
22	V _{CC1}	Power pin to provide the voltage of all other than BTL-AMP1 and 2 output transistors.	4.5 to 13.8	
4	V _{CC2}	Power pin of the BTL-AMP1 and 2 outputs.	4.5 to 13.8	
28	SGND	GND for all other than output.		
12 13	MGND	Output GND other than spindle		
46	MUTE3	MUTE function control pin. MUTE : H ⇒ Motor drive MUTE : L ⇒ drive OFF	0V to 4V	
47	MUTE2	"H" is for 2.8V or more. "L" is for 0.5V or less.		
48	MUTE1	MUTE1 : SP MUTE2 : BTL1, 2, 3 MUTE3 : BTL4		
1	AMP2IN ⁺	OP-AMP non-inverted input pin.	0V to 5V	
2	AMP2IN ⁻	OP-AMP inverted input pin.		
3	AMP2OUT	OP-AMP output pin.		
8	OUT2F	BTL-AMP Forward output pin		
7	OUT2R	BTL-AMP Reverse output pin		
44	AMP1IN ⁺	OP-AMP non-inverted input pin.	0V to 5V	
43	AMP1IN ⁻	OP-AMP inverted input pin.		

Continued on next page.

LA6502

Continued from preceding page.

Pin No.	Pin name	Function	Pin voltage	Equivalent circuit
42	AMP1OUT	OP-AMP output pin.		
10	OUT1F	BTL-AMP Forward output pin.		
9	OUT1R	BTL-AMP Reverse output pin.		
31	AMP3IN+	OP-AMP non-inverted input pin.	0V to 5V	
32	AMP3IN-	OP-AMP inverted input pin.		
33	AMP3OUT	OP-AMP output pin of previous stage.		
14	OUT3F	BTL-AMP Forward output pin.		
11	OUT3R	BTL-AMP Reverse output pin.		
30	AMP4IN+	non-inverted input pin.	0.3V to 5V	
29	AMP4IN-	BTL-4ch reference voltage pin	1V to 4V	
16	OUT4F	BTL-AMP Forward output pin.		
15	OUT4R	BTL-AMP Reverse output pin.		

Continued on next page.

LA6502

Continued from preceding page.

Pin No.	Pin name	Function	Pin voltage	Equivalent circuit
36	AMPIN ⁺	OP-AMP non-inverted input pin.	0V to 5V	
35	AMPIN ⁻	OP-AMP inverted input pin.		
34	AMPOUT	OP-AMP output pin.		
19	SPUOUT	Spindle motor driver output pin.		
18	SPVOOUT			
17	SPWOUT			
21	SPRF	Spindle motor driver output transistor power pin Detects this voltage for constant current control /The current limiter also detects this potential and is activated.		
24	MCOM	Spindle motor coil mid-point input pin Detects the coil voltage waveform with reference to this voltage.		
39	SPC1	Spindle triangular wave generating capacitor connection pin With this triangular wave, the coil output waveform is soft switched.		
40	SPC2			

Continued on next page.

LA6502

Continued from preceding page.

Pin No.	Pin name	Function	Pin voltage	Equivalent circuit
38	SPCX	With the value of a capacitor connected between this pin and GND in the spindle VCO circuit, the operation frequency range and minimum operation frequency are determined.		
27	SPFC	Frequency characteristics compensation pin. With a capacitor inserted between this pin and GND, oscillation of the current control system closed loop can be stopped.		
25	SPCTL	Spindle speed control pin Control is the constant current control by applying current return from DRS.	0V to 5V	
26	VREF	Spindle speed control reference pin BTLAMP internal VREF buffer input pin.	1V to 3.3V	
41	SPFGO	Spindle motor counter electromotive voltage detection FG output pin (synthesis of three phases)		
37	SPVCOIN	Drum block VCO circuit voltage input pin PCOUT pin voltage is filtered with CR for input.		

Continued on next page.

LA6502

Continued from preceding page.

Pin No.	Pin name	Function	Pin voltage	Equivalent circuit
23	FR	Spindle block V-type control switching pin. FR : H \Rightarrow VREF < SPCTL drive FR : L \Rightarrow VREF < SPCTL drive "H" is for 2.8V or more. "L" is for 0.5V or less.	0V to V _{CC1}	

- SANYO Semiconductor Co.,Ltd. assumes no responsibility for equipment failures that result from using products at values that exceed, even momentarily, rated values (such as maximum ratings, operating condition ranges, or other parameters) listed in products specifications of any and all SANYO Semiconductor Co.,Ltd. products described or contained herein.
- SANYO Semiconductor Co.,Ltd. strives to supply high-quality high-reliability products, however, any and all semiconductor products fail or malfunction with some probability. It is possible that these probabilistic failures or malfunction could give rise to accidents or events that could endanger human lives, trouble that could give rise to smoke or fire, or accidents that could cause damage to other property. When designing equipment, adopt safety measures so that these kinds of accidents or events cannot occur. Such measures include but are not limited to protective circuits and error prevention circuits for safe design, redundant design, and structural design.
- In the event that any or all SANYO Semiconductor Co.,Ltd. products described or contained herein are controlled under any of applicable local export control laws and regulations, such products may require the export license from the authorities concerned in accordance with the above law.
- No part of this publication may be reproduced or transmitted in any form or by any means, electronic or mechanical, including photocopying and recording, or any information storage or retrieval system, or otherwise, without the prior written consent of SANYO Semiconductor Co.,Ltd.
- Any and all information described or contained herein are subject to change without notice due to product/technology improvement, etc. When designing equipment, refer to the "Delivery Specification" for the SANYO Semiconductor Co.,Ltd. product that you intend to use.
- Information (including circuit diagrams and circuit parameters) herein is for example only; it is not guaranteed for volume production.
- Upon using the technical information or products described herein, neither warranty nor license shall be granted with regard to intellectual property rights or any other rights of SANYO Semiconductor Co.,Ltd. or any third party. SANYO Semiconductor Co.,Ltd. shall not be liable for any claim or suits with regard to a third party's intellectual property rights which has resulted from the use of the technical information and products mentioned above.

This catalog provides information as of June, 2007. Specifications and information herein are subject to change without notice.