

Flexibutton

PANEL SEALED RANGE

Description

A robust pushbutton switch designed for demanding environmental applications. The snap-action switch mechanism provides high quality switching behind an ice-proof, flexible actuator. The body of the Flexibutton is flame retardant to UL94-VO approval and the switch is panel sealed to IP67.

The range offers the choice of six button colours with solder/quick connect terminals as standard. Single and double pole versions are available in momentary or alternate actions. A locknut and sealing washer are supplied with the switch.

Features

- Waterproof panel seal – IP67 approved to BS5420 (IEC144)
- Flame retardant body – UL94-VO approved material
- High dielectric strength
- Wide temperature range – up to 80°C
- Robust construction – for harsh environments
- Positive tactile response – for operator feedback
- Operates at up to 10 Amps

Non-Standard Options

- 2 pole versions
- Alternate action versions
- PCB terminals
- Gold contacts
- Fully sealed with flying leads

Specification

Mechanical

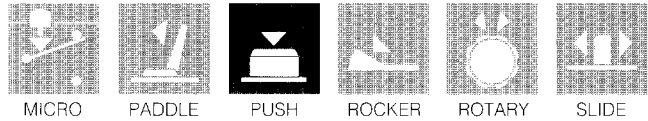
Travel	3,3mm reference
Life (min)	10 ⁶ cycles
Operating force (nom)	12N
(max)	15,5N
Contact bounce	<5ms
Panel thickness (max)	4mm
Locknut tightening torque (max)	2,85Nm

Electrical

Current (max) silver contacts	10A resistive 250 VAC
Current (min) silver contacts	10mA resistive 5 VDC
Life (min)	10 ⁵ cycles
Dielectric strength (min)	1 KVAC, 1 minute
Insulation resistance (min)	1GΩ @ 500 VDC
Contact resistance (max. initial)	25mΩ

Environmental & Physical

Ingress protection	IP67
Impact rating	2 Joules
Shock (min)	10g
Temperature	-40°C to +80°C
Body Material	Glass filled polyester
Button material	Polyether block amide
Sealing washer material	Nitrile rubber
Contacts	Fine silver
Terminals	Tin plated brass



Ordering information

Contacts/Action

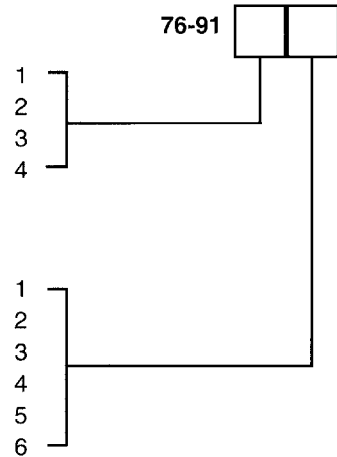
- Momentary 1 Pole
- Momentary 2 Pole
- Alternate 1 Pole
- Alternate 2 Pole

Button Colour

- White
- Red
- Green
- Blue
- Yellow
- Black

**For RS only
read 76-93**

76-91 /439088

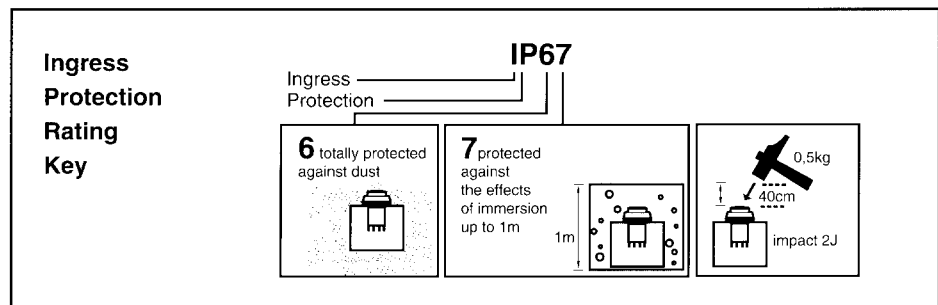


Panel mounting and construction information

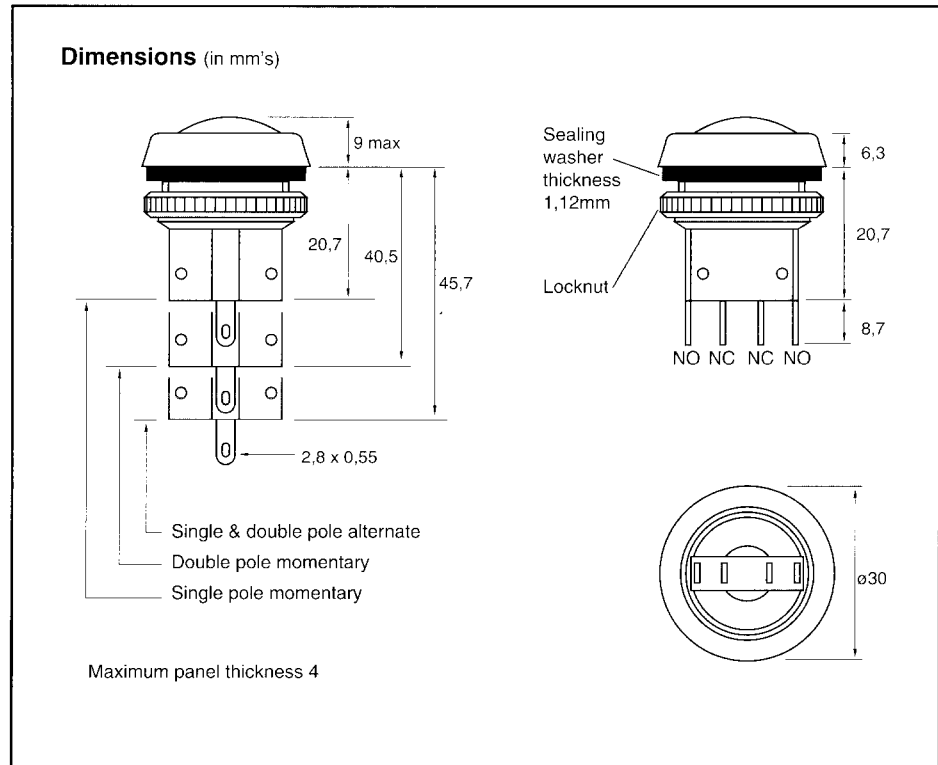
The Flexibutton mounts easily into panels not exceeding 4mm thickness. Front panel sealing to IP67 is achieved by use of the sealing washer which is fitted to the switch before it is inserted into the panel hole cut-out. Momentary single pole versions mount in a DIN standard 22,5mm diameter hole, or by reversing the special locknut, will mount in a 25mm

diameter hole. Alternate and double pole versions mount into 25mm hole*. The locknut is then screwed on from behind the panel to secure the switch in place. The tightening torque is from 1,5Nm to 2,85Nm.

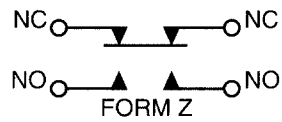
*(For 22,5mm fixing on these versions, please consult the factory.)



Product dimensions



Circuit form



Application references

- Mining
- Field Equipment
- Dairy
- Hydraulic vehicles
- Exterior security call points
- Marine instrumentation
- Car wash machinery

For further information on our complete range of switch products, please contact the Sales Office.

ITW Switches