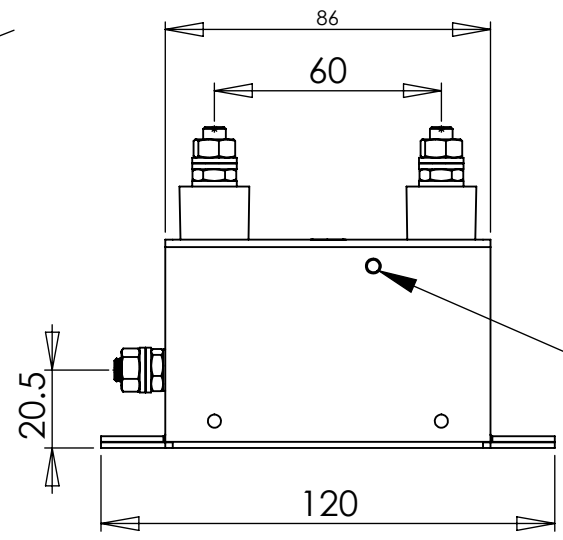
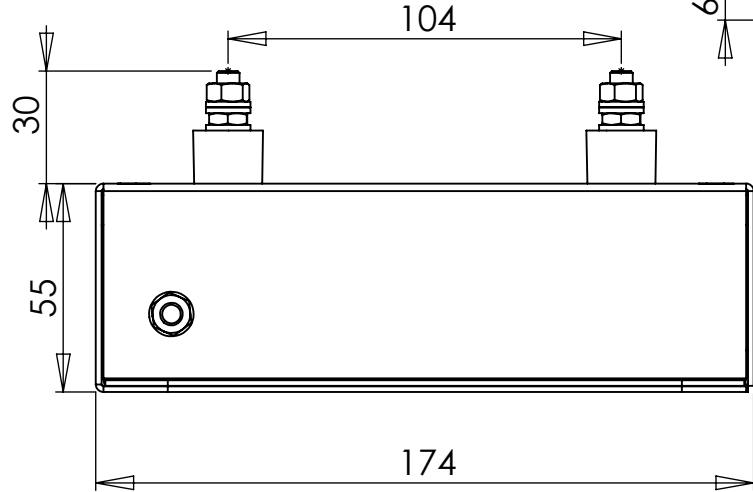
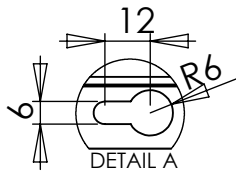
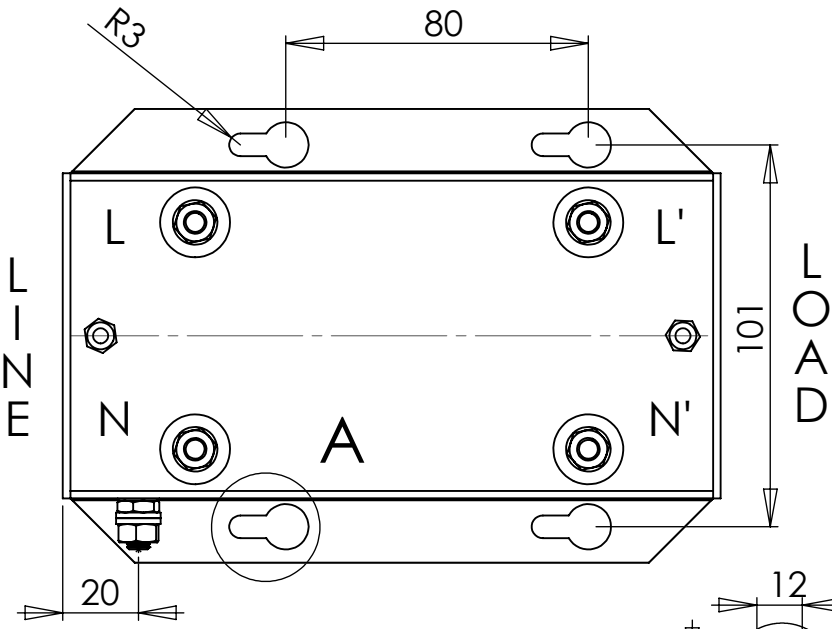


REV.	CNN	CNN DESCRIPTION	Date	Check in
03	-	NEW BORDER	21/01/2010	Shaun Barron
03	-	NEW BORDER	26/01/2010	Shaun Barron

TYPE	CURRENT I(RMS) @40 °C	INDUCTANCE (L)	RESISTANCE (R) PER WINDING	STUD SIZE	INSERTION LOSS @ 150 kHz COMMON MODE	INSERTION LOSS @ 150 kHz DIFFERENTIAL MODE
IHF18	18A	6.40mH	15.0mR	M6	48dB	42dB
IHF25	25A	4.40mH	8.5mR	M6	45dB	39dB
IHF36	36A	2.50mH	3.8mR	M6	40dB	34dB
IHF50	50A	1.10mH	2.0mR	M8	33dB	27dB



ELECTRICAL SPECIFICATION

RATED VOLTAGE 250V
 LINE FREQUENCY 50/60Hz
 TEMPERATURE RANGE -25 TO 85 °C
 TEST VOLTAGE 2.0KV DC
 LEAKAGE CURRENT 2.1mA @ 205V 50 Hz
 WEIGHT 1.75KG

FIXING FOR OPTIONAL SURGE (VSU2W)

RoHS
 2002/95/EC
 Compliant

Tel No. +44(0)1724 273200 Website www.dem-uk.com

PROPRIETARY AND CONFIDENTIAL
 THE INFORMATION CONTAINED IN THIS DRAWING IS THE SOLE PROPERTY OF ALPHA 3 MANUFACTURING.
 ANY REPRODUCTION IN PART OR AS A WHOLE WITHOUT THE WRITTEN PERMISSION OF ALPHA 3 MANUFACTURING IS PROHIBITED.
 DEM Manufacturing, Deltron Emcon House
 Hargreaves Way, Sawcliffe Ind. Park,
 Scunthorpe, North Lincolnshire, DN15 8RF, UK

UNLESS OTHERWISE SPECIFIED:
 DIMENSIONS ARE IN MILLIMETRES
 LINEAR TOLERANCE:
 NO DECIMAL PLACES ±0.5mm
 1 DECIMAL PLACE ±0.25mm
 2 DECIMAL PLACES ±0.125mm
 ANGULAR TOLERANCE: ±1°

FINISH -
 DEBURR AND BREAK SHARP EDGES
 IF IN DOUBT ASK DO NOT SCALE DRAWING
 MATERIAL -

DRAWN BY SPB
 APPROVED BY SW
 THIRD ANGLE PROJECTION

SHEET 1 OF 1
 SCALE 1:2
 A4

TITLE GENERAL SPECIFICATION
 2 WIRE
 IHF FILTER RANGE
 DRAWING NO. IHFxx-GS
 ISSUE 03
 Release