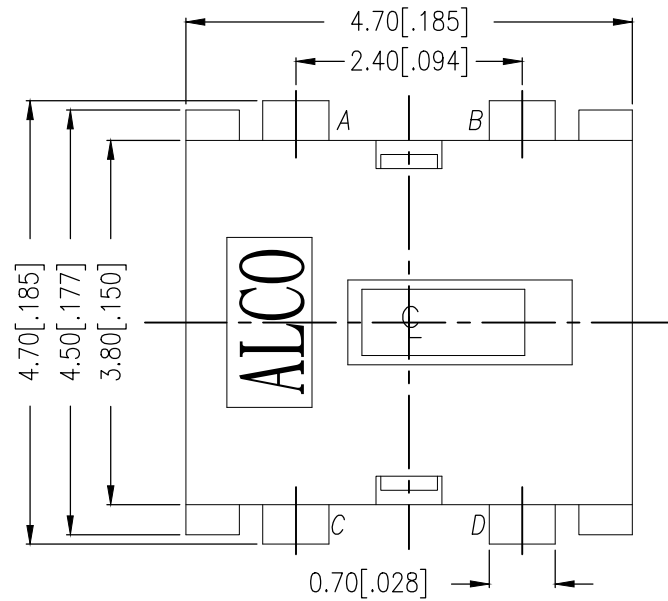
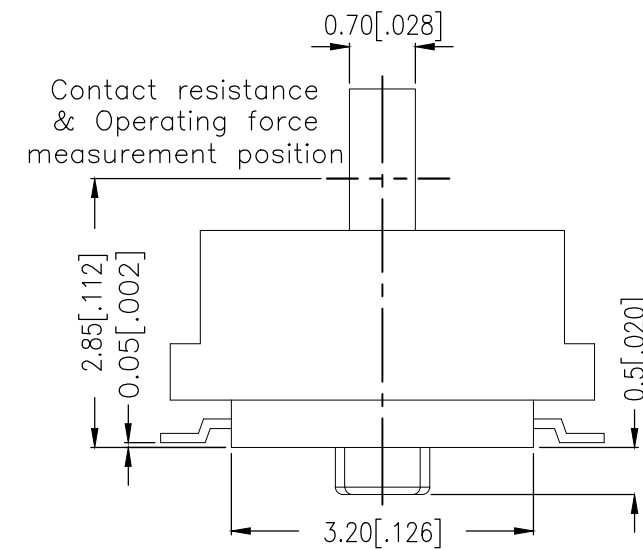
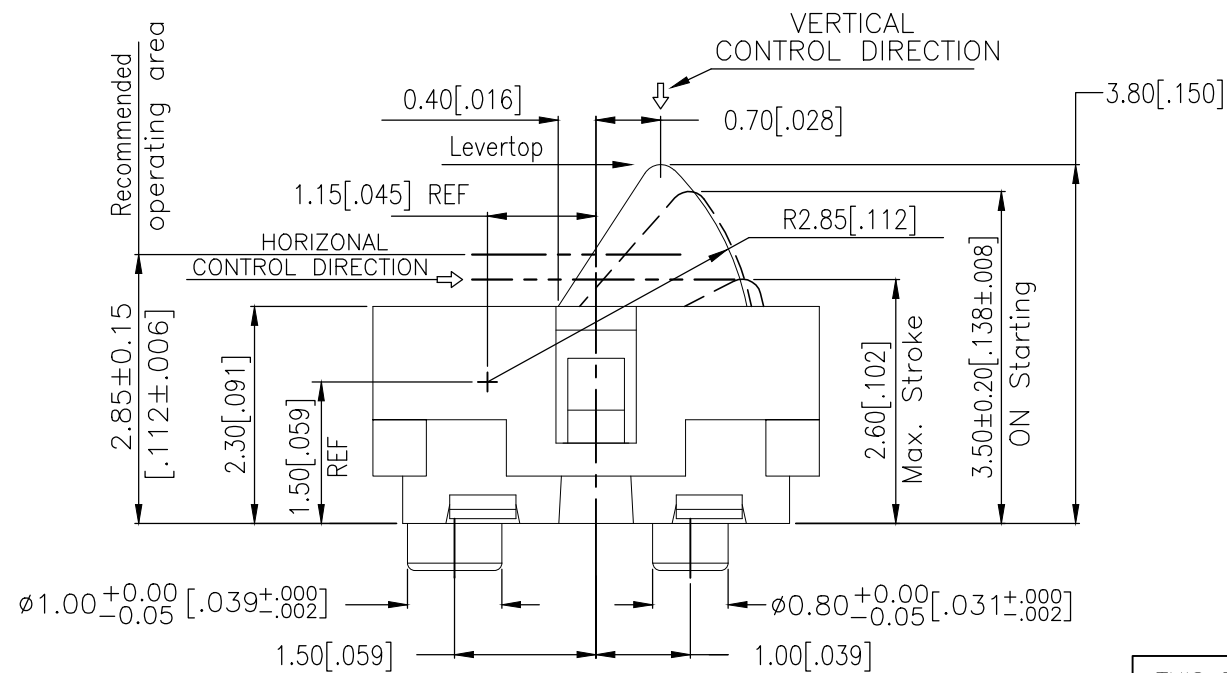
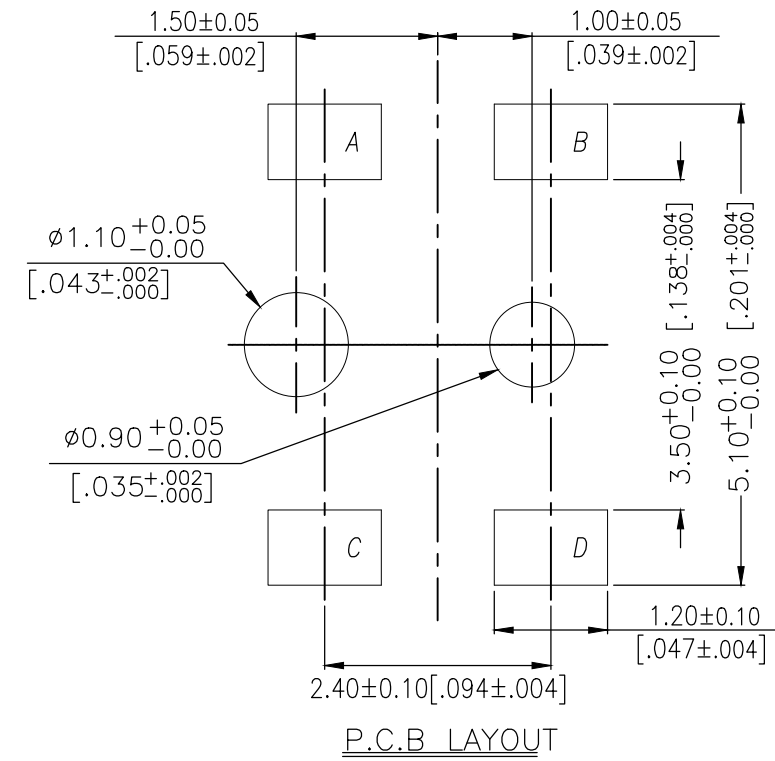
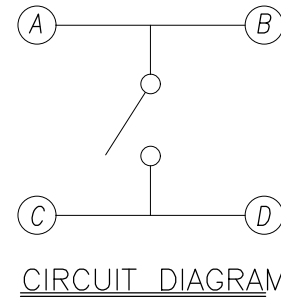


P	LTR	DESCRIPTION	DATE	DWN	APVD
	1	NEW DRAWING	07MAR2018	GCM	AS



2331369-1
AS SHOWN



PRELIMINARY

THIS DRAWING IS A CONTROLLED DOCUMENT.		DWN	GANESH C M		07MAR2018
DIMENSIONS: mm [INCHES]		CHK	ALEXANDER SHARPE		07MAR2018
TOLERANCES UNLESS OTHERWISE SPECIFIED:		APVD	ALEXANDER SHARPE		07MAR2018
<ul style="list-style-type: none"> 0 PLC ± - 1 PLC ± - 2 PLC ± 0.20 [.008] 3 PLC ± - 4 PLC ± - ANGLES ± - 		PRODUCT SPEC	NAME		
MATERIAL		APPLICATION SPEC	SWITCH, DETECTOR, JJF SERIES, 4.7X3.8mm, VERTICAL, SMT, POSTS		
FINISH		WEIGHT	SIZE	CAGE CODE	DRAWING NO
-		-	A3	00779	C-2331369
-		CUSTOMER DRAWING	RESTRICTED TO	SCALE	SHEET
-		-	-	NTS	1 OF 3
-		-	-	REV	1

THIS DRAWING IS UNPUBLISHED.

RELEASED FOR PUBLICATION

© COPYRIGHT - TE Connectivity Ltd.

ALL RIGHTS RESERVED.

REVISIONS

P	LTR	DESCRIPTION	DATE	DWN	APVD
-	-	SEE SHEET 1	-	-	-

NOTES:

1. MATERIALS

ACTUATOR: THERMOPLASTIC, BLACK
 BODY: THERMOPLASTIC, UL94V-0, BLACK
 COVER: THERMOPLASTIC, BLACK
 TERMINAL: COPPER ALLOY, SILVER PLATE
 CONTACT: STAINLESS STEEL, SILVER CLAD

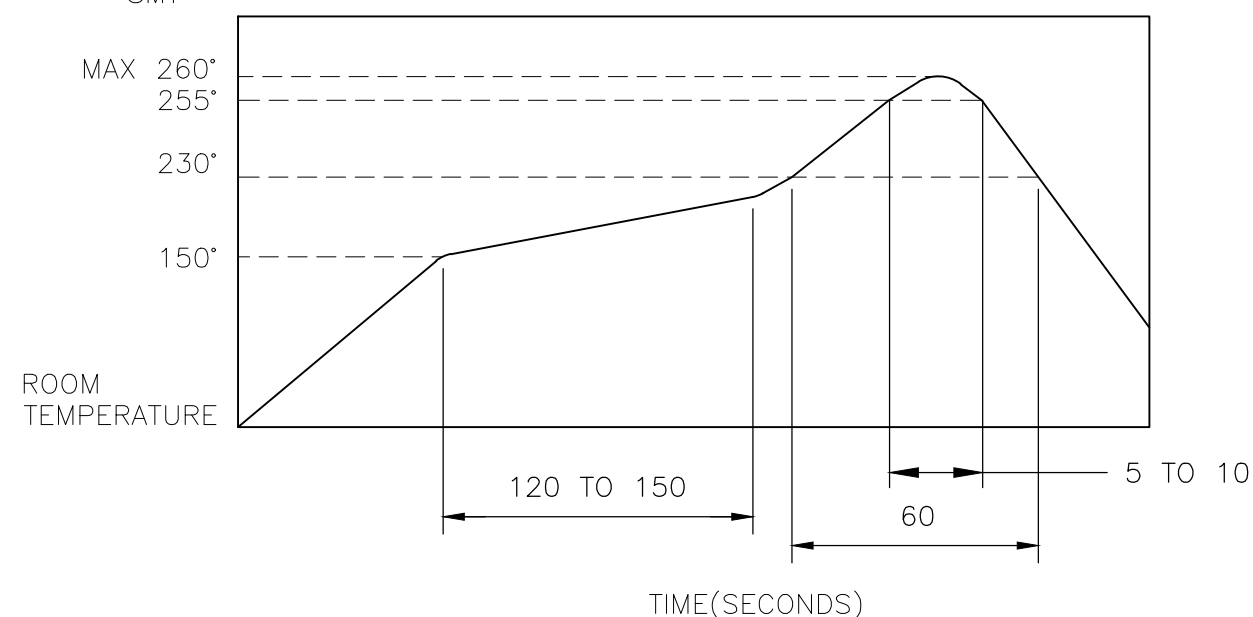
2. COMPLIANCE:

ALL MATERIALS AND FINISHES SHALL COMPLY WITH EU
 DIRECTIVE 2002/95/EC OF 27JAN2003(RoHS)

3. SPECIFICATIONS:

RATING: 1mA 5V DC
 CONTACT RESISTANCE: 1Ω MAXIMUM(INITIAL)
 INSULATION RESISTANCE: 100MΩ MINIMUM AT 100 V DC
 DIELECTRIC STRENGTH: 100 V AC, 1 MINUTE
 OPERATING LIFE: 100,000 CYCLES WITH LOAD
 TOTAL TRAVEL: 1.2 [.047]
 ACTUATION FORCE: 40gf MAXIMUM
 OPERATING TEMPERATURE: -10°C TO 60° C
 STORAGE TEMPERATURE: -20°C TO 70° C

4. SOLDER CONDITIONS :
SMT



THE CONDITION MENTIONED ABOVE IS THE TEMPERATURE ON THE CU FOIL OF THE PCB SURFACE. THERE ARE CASES WHERE THE BOARD'S TEMPERATURE GREATLY DIFFERS FROM THE SWITCH'S SURFACE. DO NOT ALLOW SWITCH'S SURFACE TEMPERATURE TO EXCEED 260 °C

MANUAL SOLDERING

SOLDERING TEMPERATURE	MAX. 350°C.
CONTINUOUS SOLDERING TIME	MAX. 5 SECONDS.

PRECAUTIONS IN HANDLING

1. CARE SHOULD BE EXERCISED SO THAT FLUX FROM THE UPPER PART OF THE PRINTED CIRCUIT BOARD DOES NOT ADHERE TO THE SWITCH.

JJFV0UG380NOPPRTR	2331369-1
SMART PART NUMBER	PART NUMBER

PRELIMINARY

THIS DRAWING IS A CONTROLLED DOCUMENT.		DWN	07MAR2018	STE TE Connectivity Ltd.		
		CHK	07MAR2018			
DIMENSIONS: mm [INCHES]		TOLERANCES UNLESS OTHERWISE SPECIFIED:		NAME		
		0 PLC ± -		ALEXANDER SHARPE		
		1 PLC ± -		APVD 07MAR2018		
		2 PLC ± 0.20 [.008]		ALEXANDER SHARPE		
		3 PLC ± -		PRODUCT SPEC		
4 PLC ± -		APPLICAITON SPEC		SIZE		
ANGLES ± -		FINISH		CAGE CODE		
MATERIAL				DRAWING NO		
				RESTRICTED TO		
				WEIGHT		
				A3 00779 C-2331369		
				CUSTOMER DRAWING		
				SCALE NTS		
				SHEET 2 OF 3		
				REV 1		

THIS DRAWING IS UNPUBLISHED.

RELEASED FOR PUBLICATION

© COPYRIGHT - TE Connectivity Ltd.

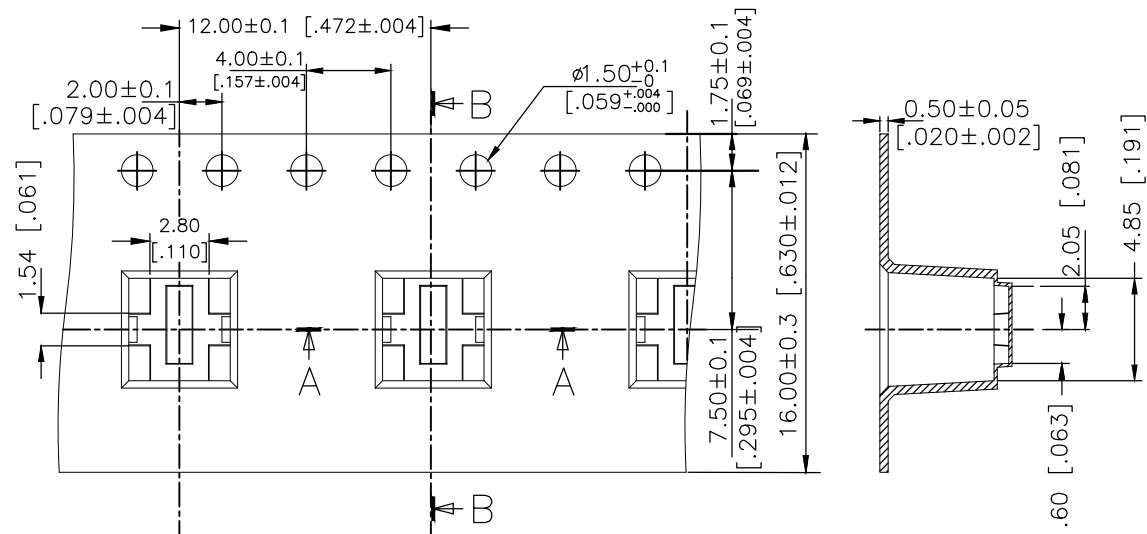
ALL RIGHTS RESERVED.

REVISIONS

P	LTR	DESCRIPTION	DATE	DWN	APVD
-	-	SEE SHEET 1	-	-	-

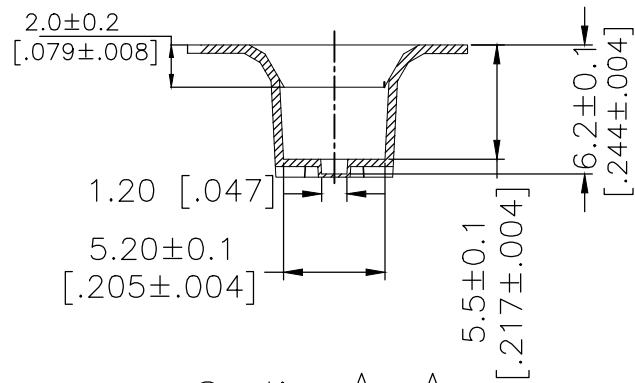
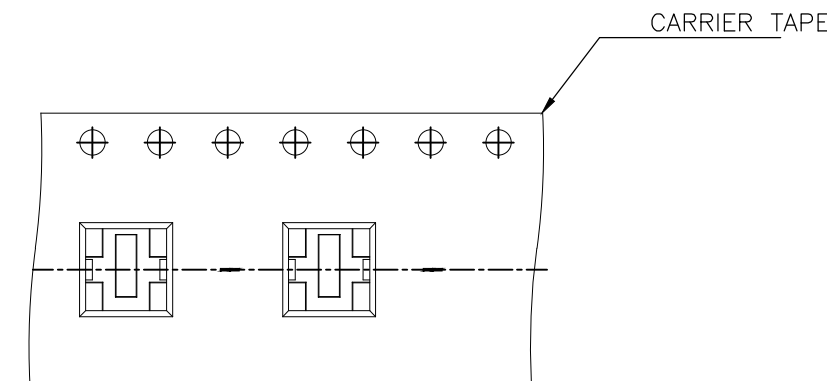
PACKAGING:
1,000 SWITCHES PER REEL

THE DIMENSION OF CARRIER TAPE, COVER TAPE AND REEL

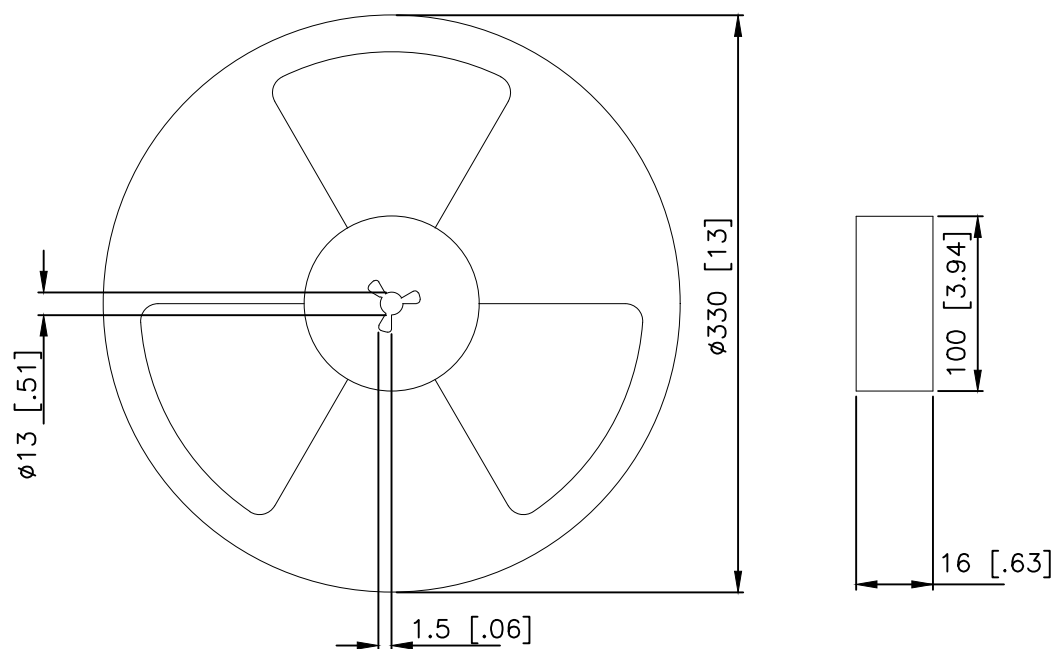
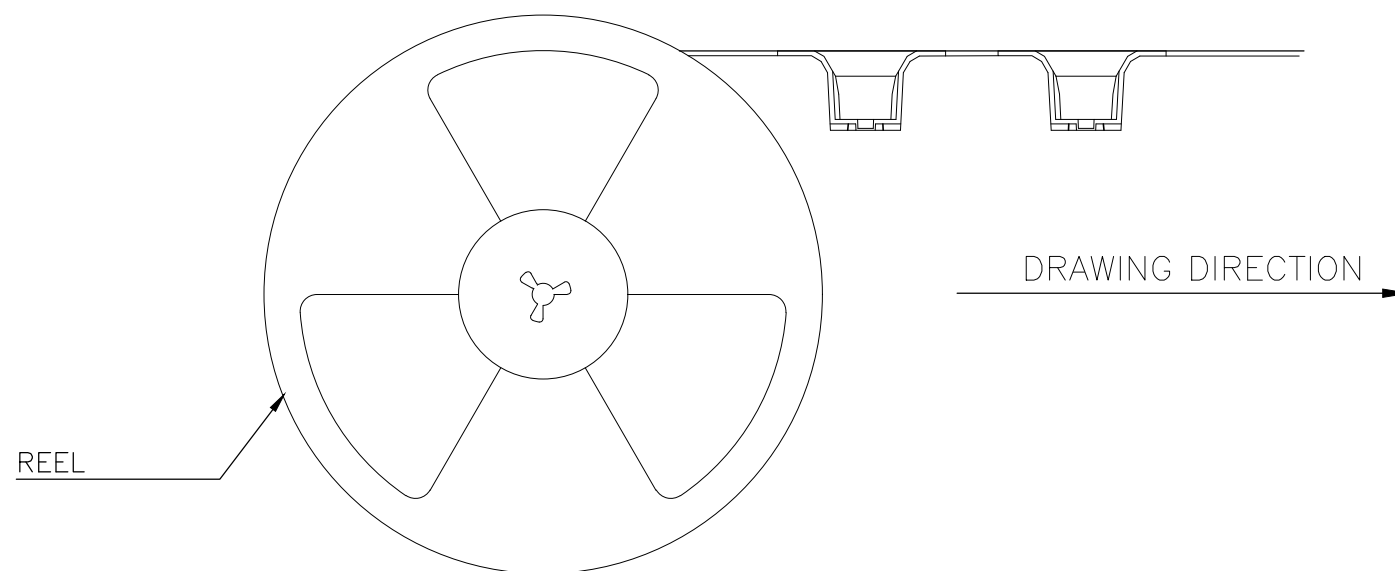


Section B-B

THE DIRECTION OF PILOT HOLES



Section A-A



PRELIMINARY

THIS DRAWING IS A CONTROLLED DOCUMENT.		DWN GANESH C M 07MAR2018	TE Connectivity Ltd.														
DIMENSIONS: mm [INCHES]		CHK ALEXANDER SHARPE 07MAR2018															
TOLERANCES UNLESS OTHERWISE SPECIFIED:		APVD ALEXANDER SHARPE 07MAR2018	NAME SWITCH, DETECTOR, JJF SERIES, 4.7X3.8mm, VERTICAL, SMT, POSTS														
<table border="1"> <tr><td>0 PLC</td><td>± -</td></tr> <tr><td>1 PLC</td><td>± -</td></tr> <tr><td>2 PLC</td><td>± 0.20 [.008]</td></tr> <tr><td>3 PLC</td><td>± -</td></tr> <tr><td>4 PLC</td><td>± -</td></tr> <tr><td>ANGLES</td><td>± -</td></tr> </table>		0 PLC	± -	1 PLC	± -	2 PLC	± 0.20 [.008]	3 PLC	± -	4 PLC	± -	ANGLES	± -	PRODUCT SPEC -	SIZE A3		
0 PLC	± -																
1 PLC	± -																
2 PLC	± 0.20 [.008]																
3 PLC	± -																
4 PLC	± -																
ANGLES	± -																
MATERIAL -		FINISH -	APPLICATION SPEC -	CAGE CODE 00779	DRAWING NO C-2331369												
CUSTOMER DRAWING			RESTRICTED TO -	SCALE NTS	SHEET 3 of 3												
			WEIGHT	REV 1													