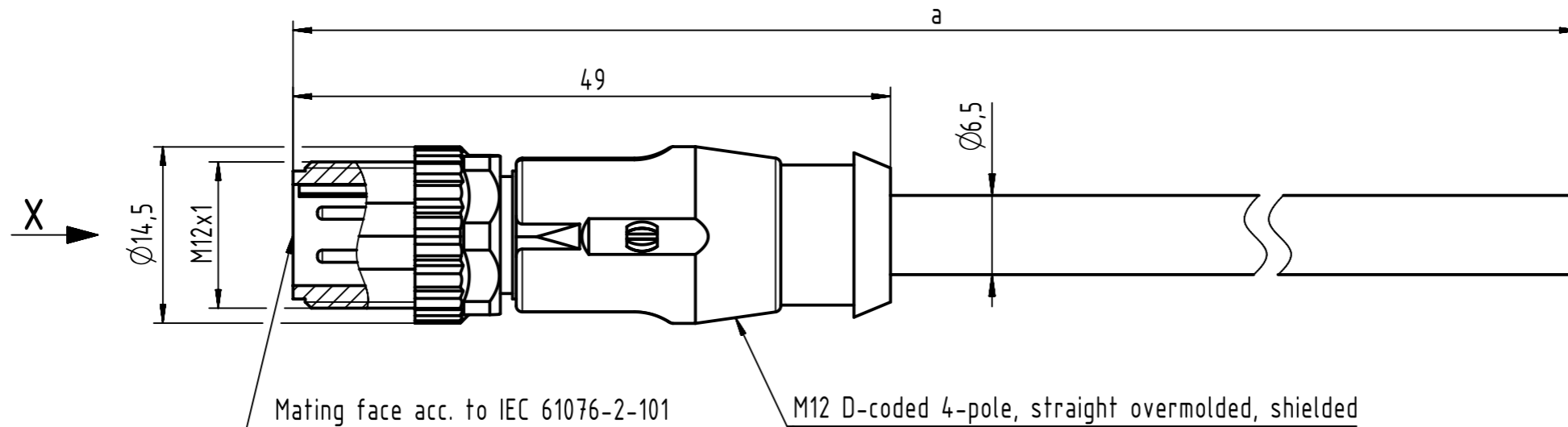


Connector Location A

Connector Location B



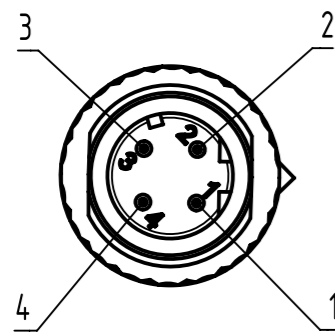
E500416



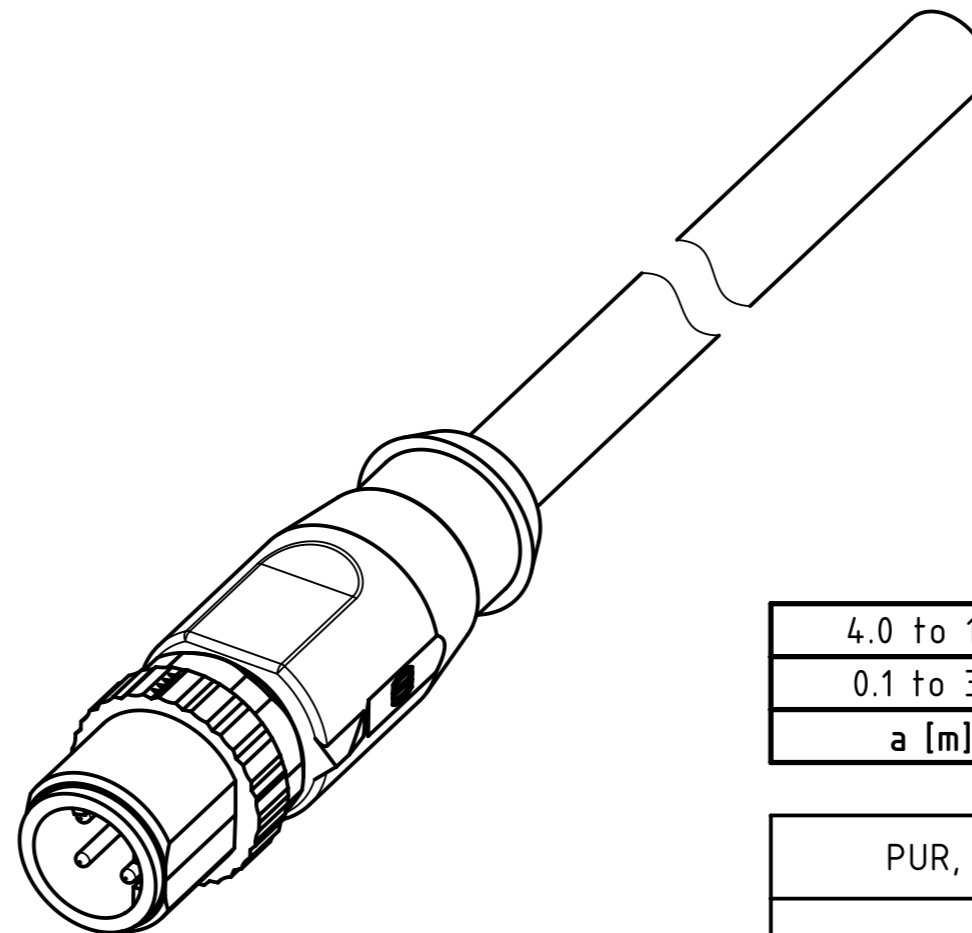
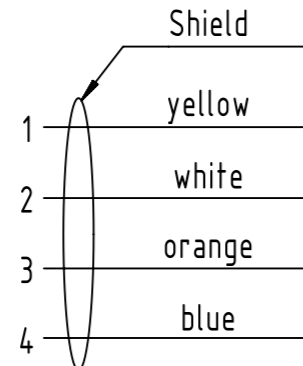
Mating face acc. to IEC 61076-2-101

M12 D-coded 4-pole, straight overmolded, shielded

X
male



Loading-Plan:



length in "1m" step	100	XXX=000
	99	XXX=990
	.	.
	12	XXX=120
	11	XXX=110
length in "0.1m" step	10	XXX=100
	9.9	XXX=099
	9.8	XXX=098
	.	.
	0.4	XXX=004
	0.3	XXX=003
	0.2	XXX=002
	0.1	XXX=001
Step	a [m]	XXX

4.0 to 100	±1%
0.1 to 3.9	+0.04
a [m]	Tolerance

PUR, green, 4xAWG22/7	21349200477XXX
Type of cable	Part no.

Protection level: IP65/67
Temperature range: -30°C ... +70°C

	All rights reserved	Created by COSTEA Costea	Inspected by MUNTEANV Muntean	Standardisation MUNTEANV Muntean	Date 2018-12-18	State Final Release
Department HCS - RO		Title M12 Cable Assembly D-cod st/- m/-			Doc-Key / ECM-Nr. 100807105/UGD/000/A 500000145021	
HARTING Customised Solutions D-32339 Espelkamp		Type TB	Number 21349200477XXX		Rev. A	Page 1/1

Mouser Electronics

Authorized Distributor

Click to View Pricing, Inventory, Delivery & Lifecycle Information:

HARTING:

[21349200477010](#) [21349200477050](#) [21349200477015](#) [21349200477005](#) [21349200477020](#) [21349200477075](#)
[21349200477100](#) [21349200477030](#) [21349200477150](#) [21349200477250](#) [21349200477200](#) [21349200477400](#)