

SIGN	DATE	DESCRIPTION	APPROVER
	2015.05.18	Added dimension for latch	
<i>THIS IS CAD DRAWING, DO NOT REVISE MANUALLY!!!</i>			

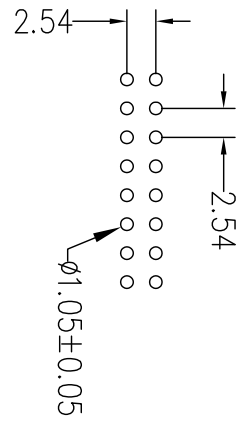
**Material**

- Insulator: Glass Filled Polyester
  - Flammability: UL94V-0
  - Color: Black
  - Contacts: Brass
  - Plating: Gold Flash over Nickel
- optional plating available, may require MOQ

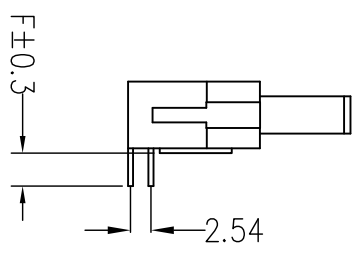
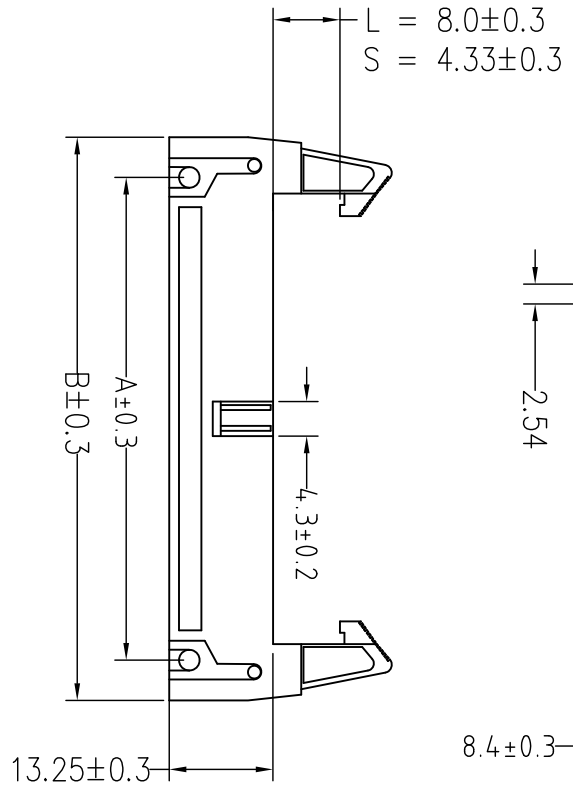
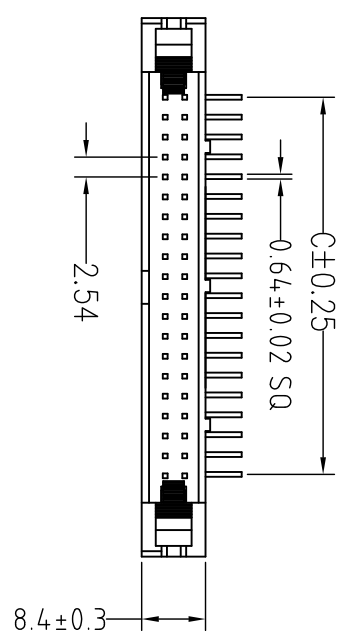
**Ratings**

- Current: 3A
- Voltage: 250V AC(Ir.m.s.)
- Contact Res: <math>\leq 20m\Omega</math>
- Insulation Res: >math>\geq 1,000 M\Omega</math>
- Operating Temp: -55° - +85°

RoHS Compliant



P.C.B. LAYOUT



**PART NUMBER:**  
**301-XRXXX1**

Latch type: Number of Circuits:  
S: Short See Chart for options  
L: Long  
N: No latch Dim. F

4.00 - leave blank (std)  
2.80 - add 2.8 to end of p/n

Contact	A	B	C
10	21.66	31.88	10.16
14	28.67	36.96	15.24
18	29.30	39.50	17.78
20	34.38	44.58	22.86
24	39.46	49.66	27.94
28	42.00	52.20	30.48
30	47.08	57.28	35.56
34	52.16	62.36	40.64
40	59.78	69.98	40.64
50	72.49	82.69	60.96
60	85.18	95.38	73.66
64	90.26	100.46	78.74



TITLE: 301 Series - Right Angle Latch Header

PART NO.	CHECKED	DESIGNED	DRAWN	DWG NO.	301-XRXXX1DWG	1200	Tolerance
301-XRXXX1	Marvin 2006.02.08	Marvin 2006.02.08	Marvin 2006.02.08				X XX ±0.35 ±0.25

THESE DRAWINGS AND SPECIFICATIONS ARE THE PROPERTY OF ON-SHORE TECHNOLOGY, INC. AND SHALL NOT BE REPRODUCED, COPIED OR USED IN ANY MANNER WITHOUT THE PRIOR WRITTEN CONSENT OF ON-SHORE TECHNOLOGY, INC.

SHEET: 01/01	REV: A	SCALE: NONE
--------------	--------	-------------

