

## NeoPixel Diffused 5mm Through-Hole LED - 5 Pack

PRODUCT ID: 1938

IN STOCK

1

ADD TO CART

1-9

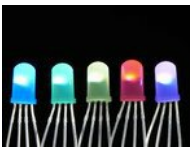
10-99

100+

ADD TO WISHLIST

DESCRIPTION

TECHNICAL DETAILS



## DESCRIPTION

LOLwut? NeoPixels in 5mm through-hole variety? Oh yes, we haz them! If you like NeoPixel strips you'll luv these 5mm **diffused** through-hole NeoPixels. All the single-pin-controlling-

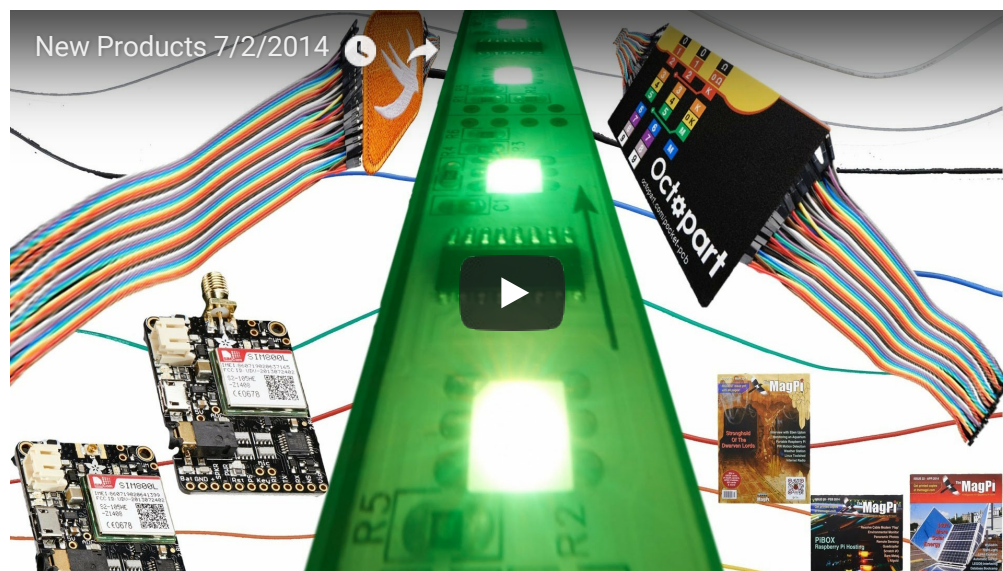
Downloaded from [Arrow.com](http://Arrow.com) in a browser-friendly format. Each LED looks just like a shorter

version of the classic through-hole 5mm RGB LED with 4 legs, but instead of just red/green/blue there's a little chip inside that can control the LED with high speed PWM for 24-bit color.

These are the diffused type instead of the [Neopixel Clear 5mm LEDs](#). They look a lot like the [8mm variety](#) but are smaller.

Power them with 5V and chain them together, tying the Data-Out pin of one to the Data-in of the previous one in the chain. If you're using an Arduino, you can control these LEDs with our wonderfully-written [Neopixel library for Arduino](#). They also work great with our [Trinkets](#). Note that these are "RGB" instead of "GRB" format used in the 5050-sized LEDs you are so used to. Check in the NeoPixel example code for how to swap the colors automatically.

These great looking LEDs are also fast and responsive with a milky-diffusing lens for a soft look.

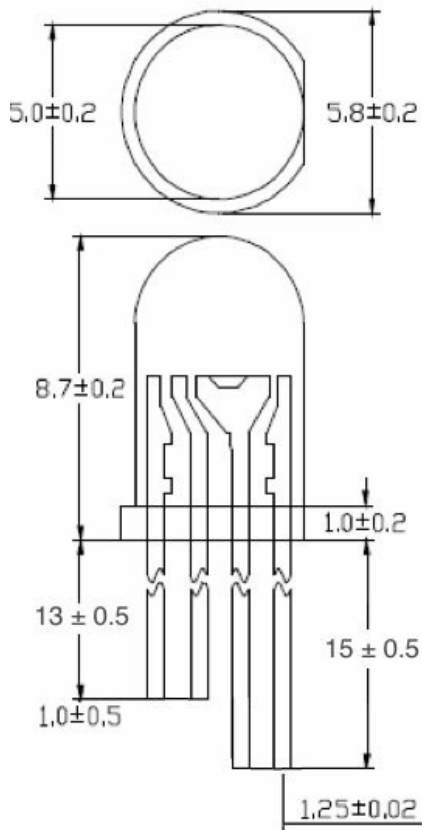


## TECHNICAL DETAILS

- Weight: 0.3g
- [WS2812 Datasheet](#)
- [SK6812 Datasheet](#)
- May ship with either WS2812B or SK6812-based LEDs. They are the same brightness, color and protocol

We don't have a datasheet for the LEDs themselves yet, see the photos above for the pinouts.

The leads are flexible. The spacing starts at 1.1mm (0.04") but we were able to bend them as needed.



Everything you need to know at our [NeoPixel ÜberGuide!](#)



## LEARN



### [Adafruit NeoPixel Überguide](#)

Everything you always wanted to know about Adafruit NeoPixels but were afraid to ask



### [NeoPixels on Raspberry Pi](#)

How to control NeoPixel LEDs with Python on a Raspberry Pi!



### [LED candles: simple, easy, cheap](#)

LED candles are very popular but can be expensive and unrealistic. Why not make your own?



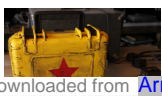
### [Festive Feather Holiday Lights](#)

Create festive holiday lights powered by Adafruit's feather boards!



### [Smart Toilet Light](#)

Make your toilet bowl glow with data from Adafruit IO!



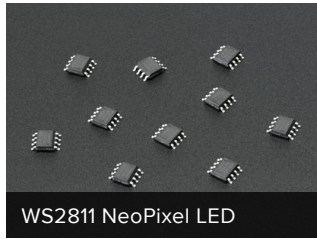
### [Mystery Box: Crypto Countdown Case](#)

box's disarm code must be toggled in before the timer reaches zero!

## MAY WE ALSO SUGGEST...



Adafruit NeoPixel Digital



WS2811 NeoPixel LED



Diffused RGB 5mm LED (25)



Adafruit NeoPixel Digital



Adafruit NeoPixel Digital



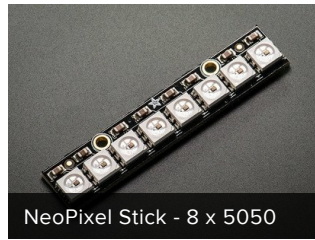
NeoPixel Diffused 8mm



Adafruit NeoPixel Digital



Adafruit NeoPixel Digital



NeoPixel Stick - 8 x 5050



Diffused RGB (tri-color) LED



Adafruit NeoPixel Digital



NeoPixel Jewel - 7 x 5050

## DISTRIBUTORS [EXPAND TO SEE DISTRIBUTORS](#)

- [CONTACT](#)
- [SUPPORT](#)
- [DISTRIBUTORS](#)
- [EDUCATORS](#)
- [JOBS](#)
- [FAQ](#)
- [SHIPPING & RETURNS](#)
- [TERMS OF SERVICE](#)
- [PRIVACY & LEGAL](#)
- [ABOUT US](#)

*"If you have knowledge, let others light their candles at it" - Margaret Fuller*

