


REV	ECN NO	REVISIONS	DRN	CKD	APP	QA	CM	DATE
A	—	NEW RELEASE	BP					

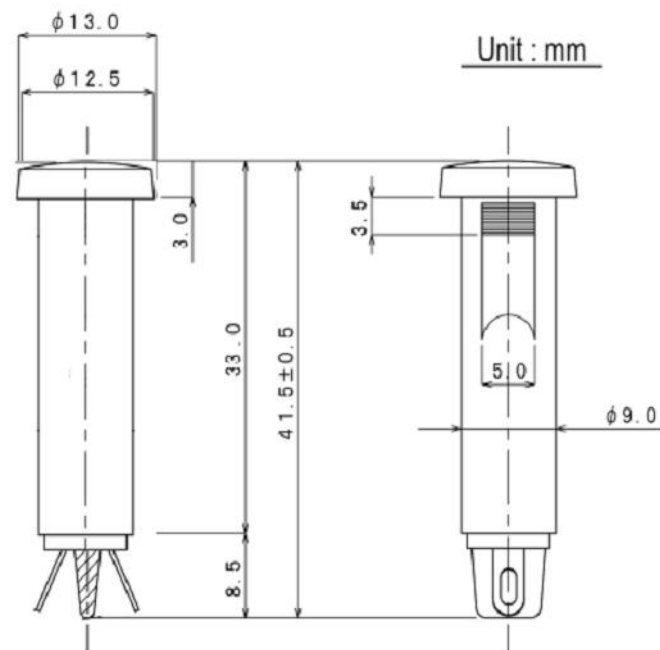
DIALIGHT PART NO.	LED COLOR	OPERATING VOLTAGE	REFER TO FIGURE	PIECE/PART MARKING
680-3132-221F	HIGH BRIGHT RED	6VDC	1	DIALIGHT 6V
680-3135-221F	HIGH BRIGHT RED	6VDC	3	
680-3232-222F	HIGH BRIGHT GREEN	6VDC	1	
680-3235-222F	HIGH BRIGHT GREEN	6VDC	3	
680-3332-223F	HIGH BRIGHT ORANGE	6VDC	1	
680-3335-223F	HIGH BRIGHT ORANGE	6VDC	3	
680-3432-224F	HIGH BRIGHT BLUE	6VDC	1	
680-3435-224F	HIGH BRIGHT BLUE	6VDC	3	
680-3132-121F	HIGH BRIGHT RED	6VDC	2	
680-3135-121F	HIGH BRIGHT RED	6VDC	4	
680-3232-122F	HIGH BRIGHT GREEN	6VDC	2	
680-3235-122F	HIGH BRIGHT GREEN	6VDC	4	
680-3332-123F	HIGH BRIGHT ORANGE	6VDC	2	
680-3335-123F	HIGH BRIGHT ORANGE	6VDC	4	
680-3432-124F	HIGH BRIGHT BLUE	6VDC	2	
680-3435-124F	HIGH BRIGHT BLUE	6VDC	4	
680-3132-231F	HIGH BRIGHT RED	12VDC	1	DIALIGHT 12V
680-3135-231F	HIGH BRIGHT RED	12VDC	3	
680-3232-232F	HIGH BRIGHT GREEN	12VDC	1	
680-3235-232F	HIGH BRIGHT GREEN	12VDC	3	
680-3332-233F	HIGH BRIGHT ORANGE	12VDC	1	
680-3335-233F	HIGH BRIGHT ORANGE	12VDC	3	
680-3432-234F	HIGH BRIGHT BLUE	12VDC	1	
680-3435-234F	HIGH BRIGHT BLUE	12VDC	3	
680-3132-131F	HIGH BRIGHT RED	12VDC	2	
680-3135-131F	HIGH BRIGHT RED	12VDC	4	
680-3232-132F	HIGH BRIGHT GREEN	12VDC	2	
680-3235-132F	HIGH BRIGHT GREEN	12VDC	4	
680-3332-133F	HIGH BRIGHT ORANGE	12VDC	2	
680-3335-133F	HIGH BRIGHT ORANGE	12VDC	4	
680-3432-134F	HIGH BRIGHT BLUE	12VDC	2	
680-3435-134F	HIGH BRIGHT BLUE	12VDC	4	
680-3132-241F	HIGH BRIGHT RED	24VDC	1	DIALIGHT 24V
680-3135-241F	HIGH BRIGHT RED	24VDC	3	
680-3232-242F	HIGH BRIGHT GREEN	24VDC	1	
680-3235-242F	HIGH BRIGHT GREEN	24VDC	3	
680-3332-243F	HIGH BRIGHT ORANGE	24VDC	1	
680-3335-243F	HIGH BRIGHT ORANGE	24VDC	3	
680-3432-244F	HIGH BRIGHT BLUE	24VDC	1	
680-3435-244F	HIGH BRIGHT BLUE	24VDC	3	
680-3132-141F	HIGH BRIGHT RED	24VDC	2	
680-3135-141F	HIGH BRIGHT RED	24VDC	4	
680-3232-142F	HIGH BRIGHT GREEN	24VDC	2	
680-3235-142F	HIGH BRIGHT GREEN	24VDC	4	
680-3332-143F	HIGH BRIGHT ORANGE	24VDC	2	
680-3335-143F	HIGH BRIGHT ORANGE	24VDC	4	
680-3432-144F	HIGH BRIGHT BLUE	24VDC	2	
680-3435-144F	HIGH BRIGHT BLUE	24VDC	4	

NOTES:  
1, MOUNTING HOLE SIZE: FIG 2 AND 4: 0.406" (10.3 MM)  
SEE FIGURE 1 AND 3 FOR SNAP-INS  
2, MAX PANEL THICKNESS: 0.236" (6 MM)  
3, MATERIALS:  
3.1, HOUSING: POLYCARBONATE PLASTIC RESIN  
3.2, MOUNTING HEX NUT: BRASS, NICKEL PLATED.  
3.3, SPLIT LOCK WASHER: STEEL, UNI-CHROME PLATED.  
3.4, HEADER/INSULATOR: POLYCARBONATE, COLOR: BLACK  
4, SOLDERABILITY: PER ANSI/IPC-S-805, METHOD A.  
5, RECOMENDED MOUNTING TORQUE: FIGURE 2 AND 4 ONLY: 0.217 LBS/FT (5KG/CM)

**RoHS COMPLIANT C18280**

Part Numbers with the "F" suffix ending are RoHS Compliant. Packaging is marked with "RoHS Compliant" label or equivalent markings. Parts can be wave soldered, dip soldered or hand soldered using typical lead-free soldering process with max 260°C temp. for 5 sec.

THIS DRAWING AND THE CONTENTS HEREIN ARE CONFIDENTIAL AND THE SOLE PROPERTY OF DIALIGHT. REPRODUCTION OF THIS DRAWING OR CONSTRUCTION OF ANY PARTS WITHIN THIS DRAWING ARE FORBIDDEN WITHOUT THE WRITTEN CONSENT OF DIALIGHT.		
SCALE: 3.000 ALL DIM'S IN: INCHES (MM)	DRAWING NUMBER C-18280	REV A
TOLERANCES: UNLESS OTHERWISE SPECIFIED FRACTIONS: ±1/64 DECIMALS (.XX): ±.01 DECIMALS (.XXX): ±.005 DECIMALS (.XXXX): ±.0005 ANGLES: ±1°	TITLE 10mm HIGH BRIGHT LED PMI	
FINISH: -	MATERIAL —	
FSCM 83330	 1501 ROUTE 34 SOUTH FARMINGDALE, NJ 07727	
SHEET 1 OF 3 FAMILY TABLE:		



Unit : mm

Shape of Mounting Hole

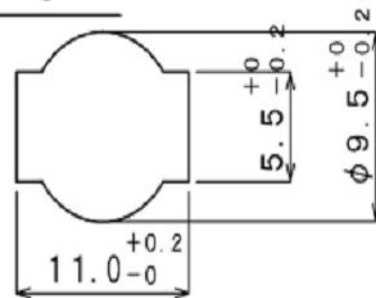
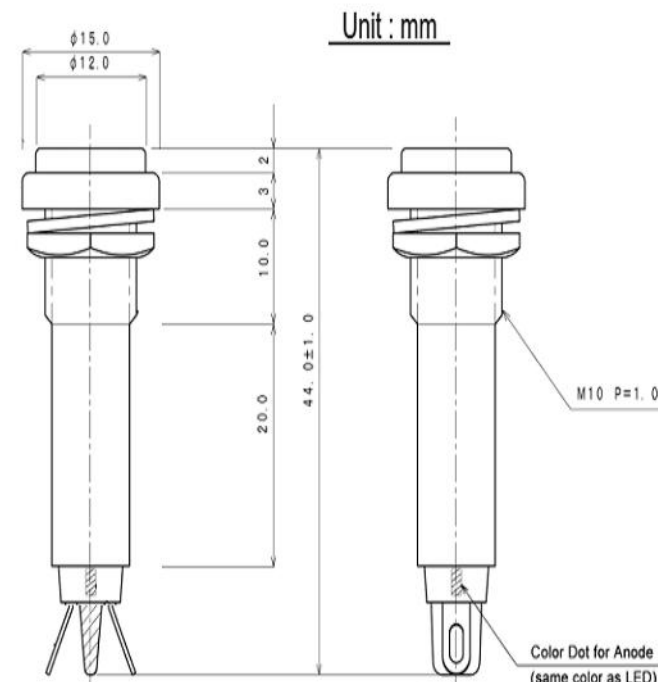


FIGURE 1



Unit : mm

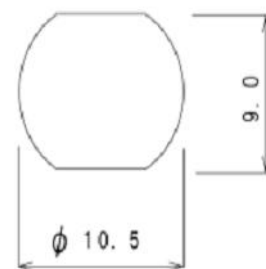


FIGURE 2


LED Specifications

Color	Absolute Maximum Ratings				
	Forward Current IF (mA)	Reverse Voltage VR (V)	Power Dissipation PD (mW)	Operating Temp. Topr (°C)	Storage Temp. Tstg (°C)
Red	30	10	72	-30 ~ +85	-40 ~ +100
Green	30	7	108	-30 ~ +85	-40 ~ +100
Orange	30	10	72	-30 ~ +85	-40 ~ +100
Blue	30	7	108	-30 ~ +85	-40 ~ +100
White	30	7	105	-30 ~ +85	-40 ~ +100

Electro-Optical Characteristics

Forward Voltage VF (V)	Reverse Current IR (μA)	Luminous Intensity Iv (mcd)	Wave Length λ d (nm)	LineHalf-width Δλ (nm)	Angle (Ref.) 2θ 1/2
2.05	10	2100	624	20	30
3.3	10	25000	525	30	30
2.05	10	2000	605	17	30
3.3	10	5400	470	22	30
3.1	5	17000	**x = 0.32, y=0.32		30

THIS DRAWING AND THE CONTENTS HEREIN ARE CONFIDENTIAL AND THE SOLE PROPERTY OF DIALIGHT. REPRODUCTION OF THIS DRAWING OR CONSTRUCTION OF ANY PARTS WITHIN THIS DRAWING ARE FORBIDDEN WITHOUT THE WRITTEN CONSENT OF DIALIGHT.

SCALE: 3.000 ALL DIM'S IN: INCHES (MM)	DRAWING NUMBER C-18280	REV A
TOLERANCES: UNLESS OTHERWISE SPECIFIED FRACTIONS: ±1/64 DECIMALS (.XX): ±.02 DECIMALS (.XXX): ±.015	TITLE 10mm HIGH BRIGHT LED PMI	
ANGLES: ±3° FINISH:	MATERIAL —	
FSCM 83330	 1501 ROUTE 34 SOUTH FARMINGDALE, NJ 07727	
	SHEET 2 OF 3	FAMILY TABLE:

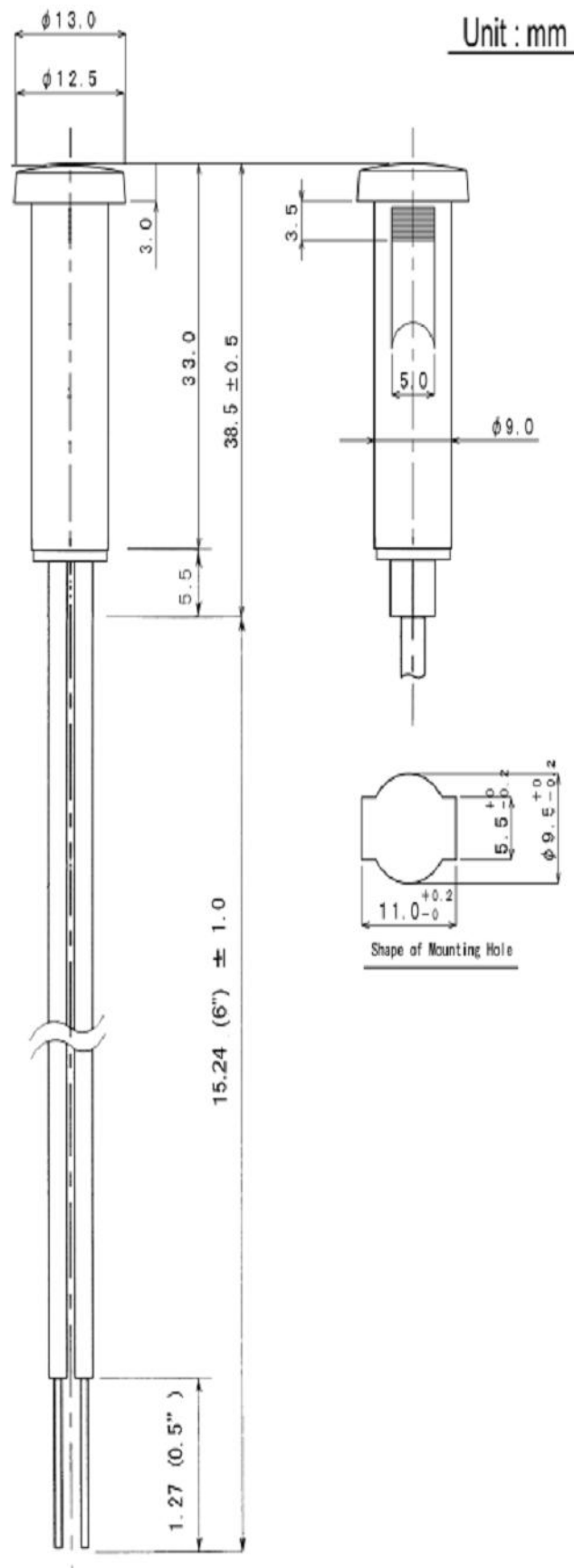


FIGURE 3

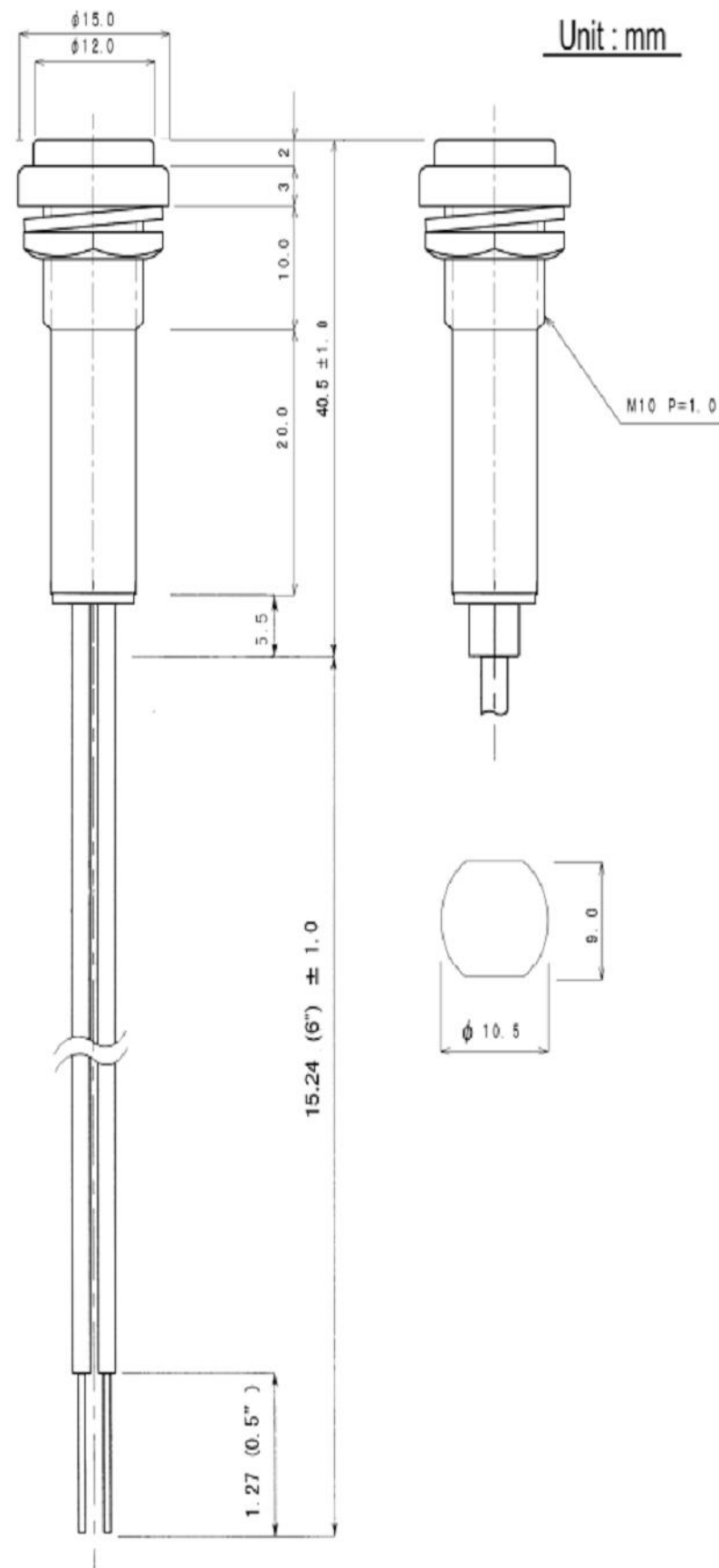


FIGURE 4

THIS DRAWING AND THE CONTENTS HEREIN ARE CONFIDENTIAL AND THE SOLE PROPERTY OF DIALIGHT. REPRODUCTION OF THIS DRAWING OR CONSTRUCTION OF ANY PARTS WITHIN THIS DRAWING ARE FORBIDDEN WITHOUT THE WRITTEN CONSENT OF DIALIGHT.		
SCALE: DRAWING SCALE ALL DIM'S IN: INCHES (MM)	DRAWING NUMBER C-18280	REV A
TOLERANCES: UNLESS OTHERWISE SPECIFIED FRACTIONS: ±1/64 DECIMALS (.XX): ±.01 DECIMALS (.XXX): ±.005 DECIMALS (.XXXX): ±.0005 ANGLES: ±1°	TITLE 10mm HIGH BRIGHT LED PMI	
FINISH:	MATERIAL	
FSCM 83330	1501 ROUTE 34 SOUTH FARMINGDALE, NJ 07727	
	SHEET 3 OF 3	FAMILY TABLE: