

THIS DRAWING IS UNPUBLISHED.

RELEASED FOR PUBLICATION

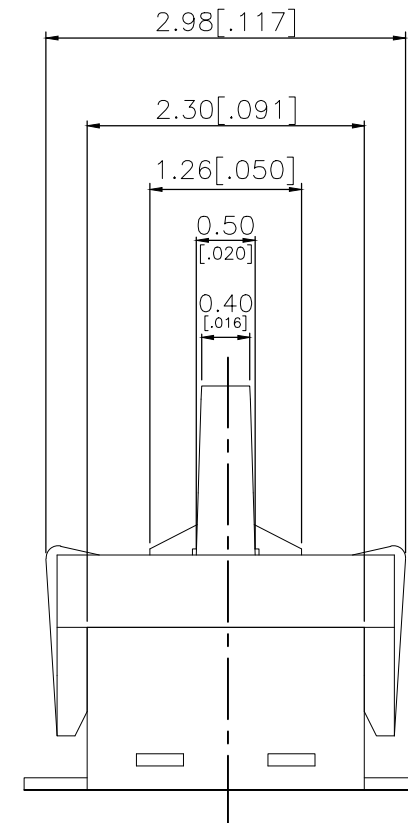
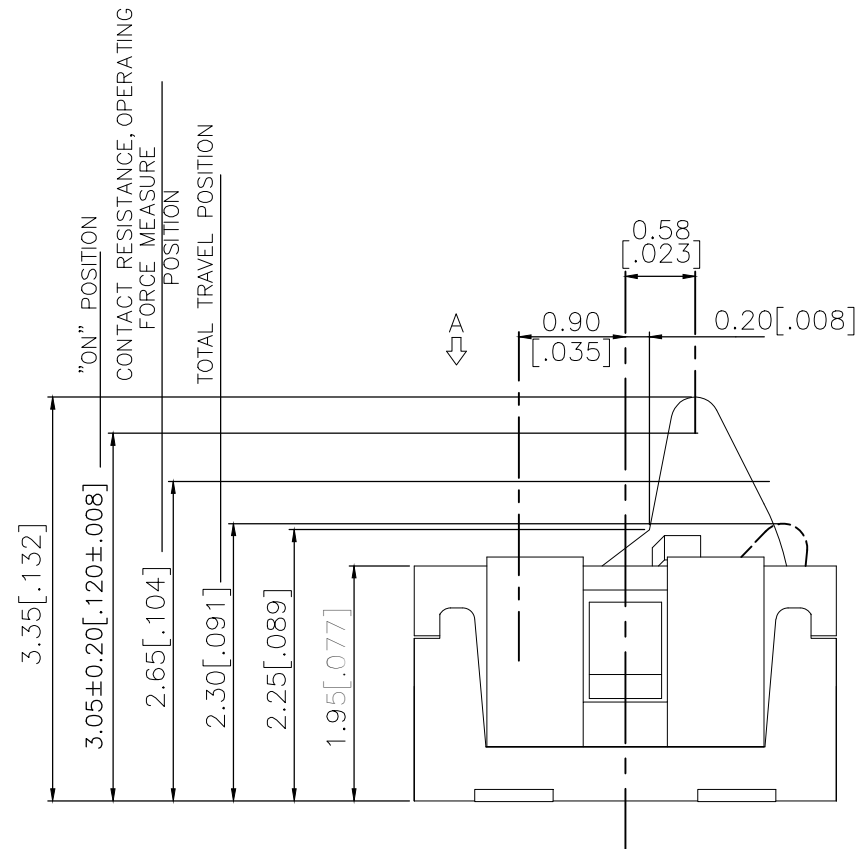
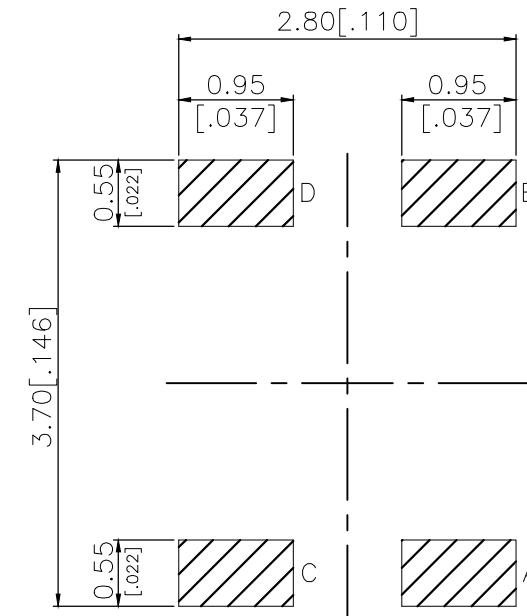
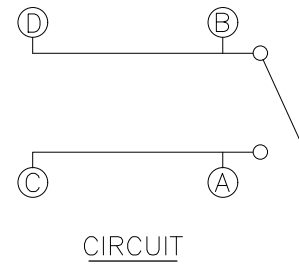
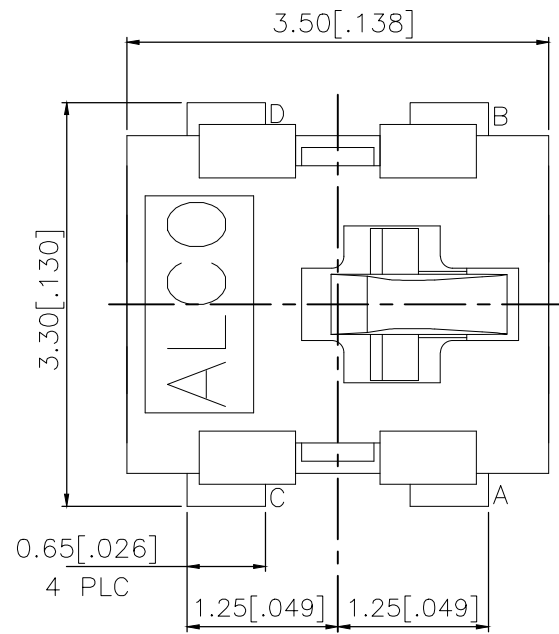
© COPYRIGHT - TE Connectivity Ltd.

ALL RIGHTS RESERVED.

REVISIONS

P	LTR	DESCRIPTION	DATE	DWN	APVD
1		NEW DRAWING	07MAR2018	GCM	AS

2331379-1
AS SHOWN



PRELIMINARY

THIS DRAWING IS A CONTROLLED DOCUMENT.		DWN GANESH C M 07MAR2018	PRELIMINARY TE Connectivity Ltd.		
DIMENSIONS: mm [INCHES]	TOLERANCES UNLESS OTHERWISE SPECIFIED:	CHK ALEXANDER SHARPE 07MAR2018			
	0 PLC ± - 1 PLC ± - 2 PLC ± 0.30 [.012] 3 PLC ± - 4 PLC ± - ANGLES ± -	APVD ALEXANDER SHARPE 07MAR2018			
MATERIAL	FINISH	PRODUCT SPEC			
		APPLICATION SPEC	SWITCH, DETECTOR, JJB SERIES, 3.5X2.98mm, VERTICAL, SMT		
		WEIGHT	SIZE A3	CAGE CODE 00779	DRAWING NO C-2331379
		CUSTOMER DRAWING	SCALE NTS	SHEET 1 of 3	RESTRICTED TO REV 1

THIS DRAWING IS UNPUBLISHED.

RELEASED FOR PUBLICATION

REVISIONS

© COPYRIGHT - TE Connectivity Ltd.

ALL RIGHTS RESERVED.

P	LTR	DESCRIPTION	DATE	DWN	APVD
-	-	SEE SHEET 1	-	-	-

NOTES:

1. MATERIALS

ACTUATOR: THERMOPLASTIC, BLACK
 BODY: THERMOPLASTIC, BLACK
 COVER: THERMOPLASTIC, BLACK
 TERMINAL: COPPER ALLOY, SILVER PLATE
 CONTACT: STAINLESS STEEL, SILVER PLATE

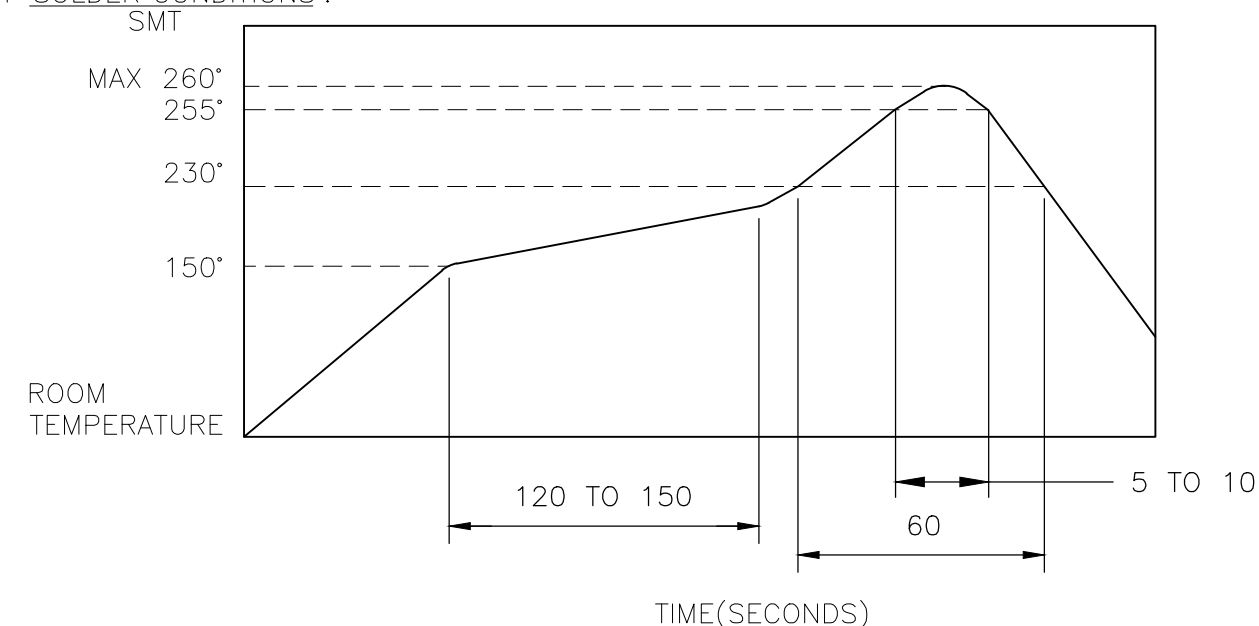
2. COMPLIANCE:

ALL MATERIALS AND FINISHES SHALL COMPLY WITH EU
 DIRECTIVE 2002/95/EC OF 27JAN2003(RoHS)

3. SPECIFICATIONS:

RATING: 1mA 20mV DC TO 100mA 5V DC
 CONTACT RESISTANCE: 500mΩ MAXIMUM(INITIAL)
 INSULATION RESISTANCE: 100MΩ MINIMUM AT 250V DC
 DIELECTRIC STRENGTH: 250V AC, 1 MINUTE
 OPERATING LIFE: 80,000 CYCLES WITH LOAD
 TOTAL TRAVEL: 1.05 [.041]
 ACTUATION FORCE: 35gf MAXIMUM
 OPERATING TEMPERATURE: -15°C TO 70° C
 STORAGE TEMPERATURE: -40°C TO 85° C

4. SOLDER CONDITIONS :



THE CONDITION MENTIONED ABOVE IS THE TEMPERATURE ON THE CU FOIL OF THE PCB SURFACE. THERE ARE CASES WHERE THE BOARD'S TEMPERATURE GREATLY DIFFERS FROM THE SWITCH'S SURFACE. DO NOT ALLOW SWITCH'S SURFACE TEMPERATURE TO EXCEED 260 °C

MANUAL SOLDERING

SOLDERING TEMPERATURE	350°C±5°C.
CONTINUOUS SOLDERING TIME	3±0.5 SECONDS.

PRECAUTIONS IN HANDLING

1. CARE SHOULD BE EXERCISED SO THAT FLUX FROM THE UPPER PART OF THE PRINTED CIRCUIT BOARD DOES NOT ADHERE TO THE SWITCH.

JJBVOUG335NONPRTR	2331379-1
SMART PART NUMBER	PART NUMBER

THIS DRAWING IS A CONTROLLED DOCUMENT.		DWN	07MAR2018	STE TE Connectivity Ltd.	
		CHK	07MAR2018		
DIMENSIONS: mm [INCHES]		TOLERANCES UNLESS OTHERWISE SPECIFIED:		NAME	
		0 PLC ± -		ALEXANDER SHARPE	
		1 PLC ± -		07MAR2018	
		2 PLC ± 0.30 [.012]		APVD	
		3 PLC ± -		ALEXANDER SHARPE	
4 PLC ± -		PRODUCT SPEC		SWITCH, DETECTOR, JJB SERIES, 3.5X2.98mm, VERTICAL, SMT	
ANGLES ± -		APPLICATION SPEC		-	
FINISH ± -		WEIGHT		SIZE	CAGE CODE
MATERIAL -		CUSTOMER DRAWING		A3	00779
				DRAWING NO	RESTRICTED TO
				G-2331379	-
				SCALE	SHEET
				NTS	2 OF 3
				REV	1

PRELIMINARY

THIS DRAWING IS UNPUBLISHED.

RELEASED FOR PUBLICATION

© COPYRIGHT - TE Connectivity Ltd.

ALL RIGHTS RESERVED.

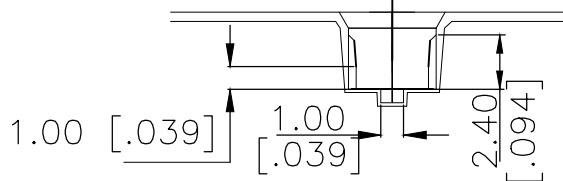
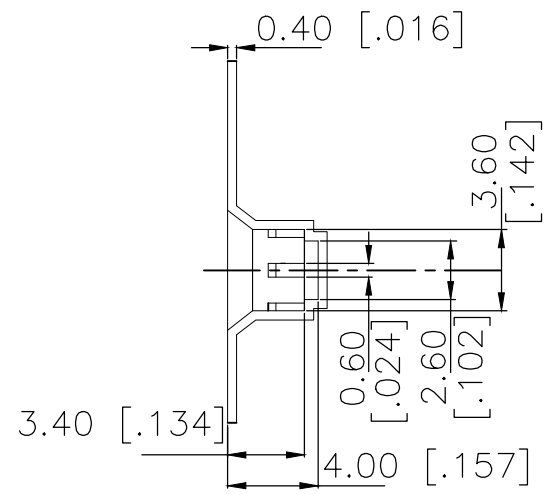
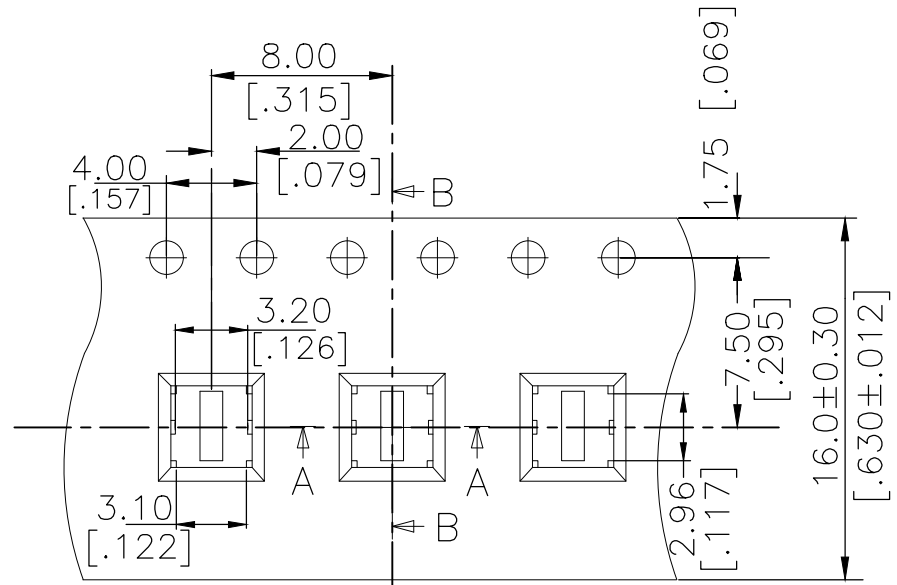
REVISIONS

P	LTR	DESCRIPTION	DATE	DWN	APVD
-	-	SEE SHEET 1	-	-	-

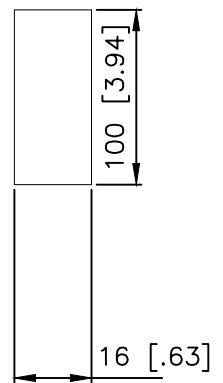
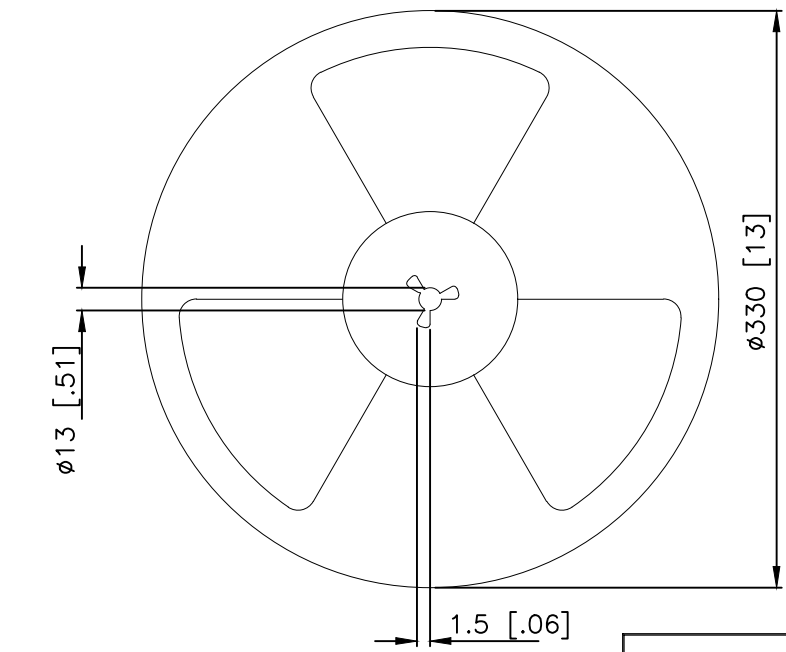
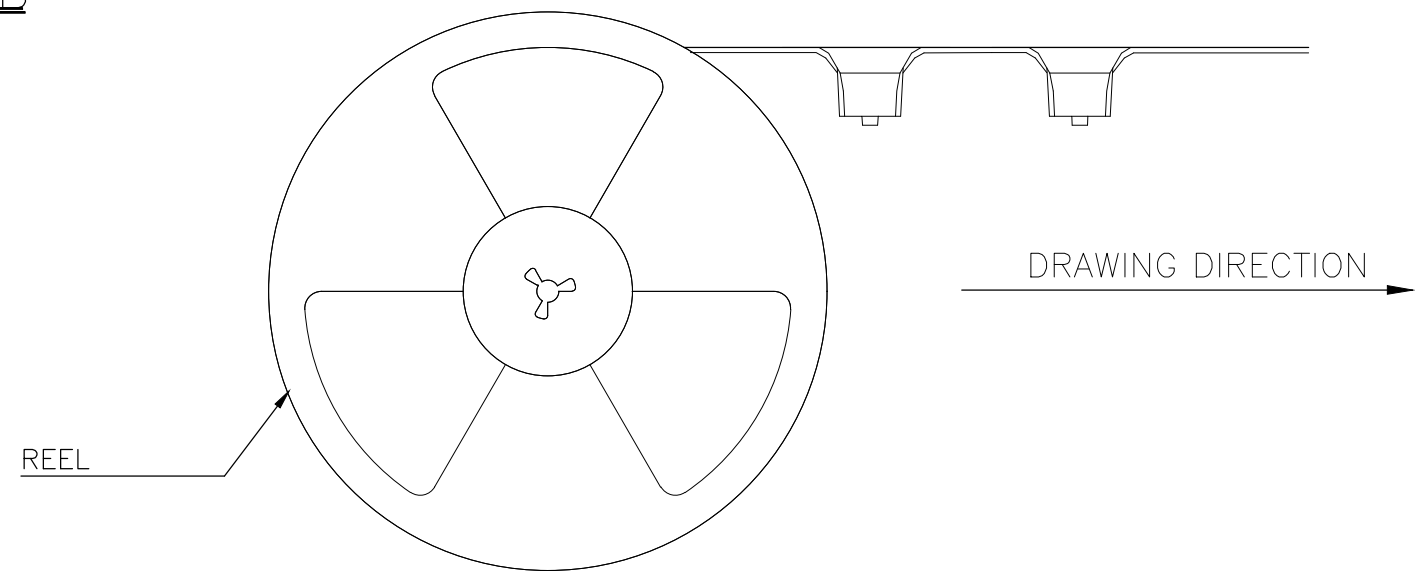
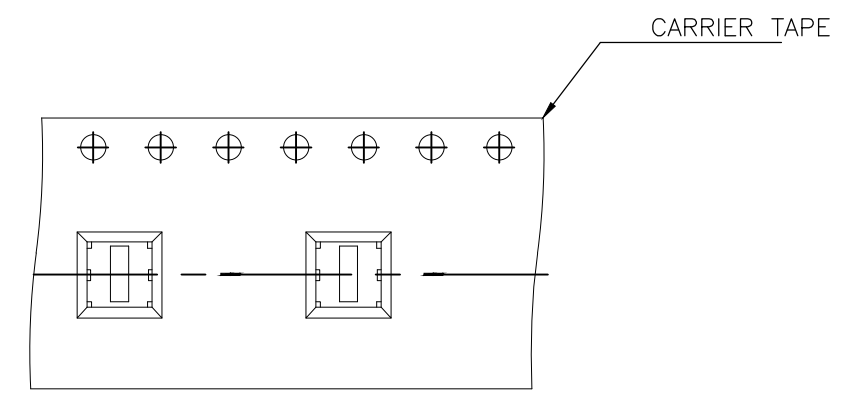
PACKAGING:

2000 SWITCHES PER REEL

THE DIMENSION OF CARRIER TAPE, COVER TAPE AND REEL



THE DIRECTION OF PILOT HOLES



PRELIMINARY

THIS DRAWING IS A CONTROLLED DOCUMENT.		DWN GANESH C M 07MAR2018	TE Connectivity Ltd.		
DIMENSIONS: mm [INCHES]		CHK ALEXANDER SHARPE 07MAR2018			
TOLERANCES UNLESS OTHERWISE SPECIFIED:		APVD ALEXANDER SHARPE 07MAR2018	NAME SWITCH, DETECTOR, JJB SERIES, 3.5X2.98mm, VERTICAL, SMT		
0 PLC ± - 1 PLC ± - 2 PLC ± 0.30 [.012] 3 PLC ± - 4 PLC ± - ANGLES ± -		PRODUCT SPEC -	SIZE A3		
MATERIAL -		APPLICATION SPEC -	CAGE CODE 00779	DRAWING NO C-2331379	RESTRICTED TO -
FINISH -		WEIGHT -	SCALE NTS		
CUSTOMER DRAWING			SHEET 3 of 3	REV 1	