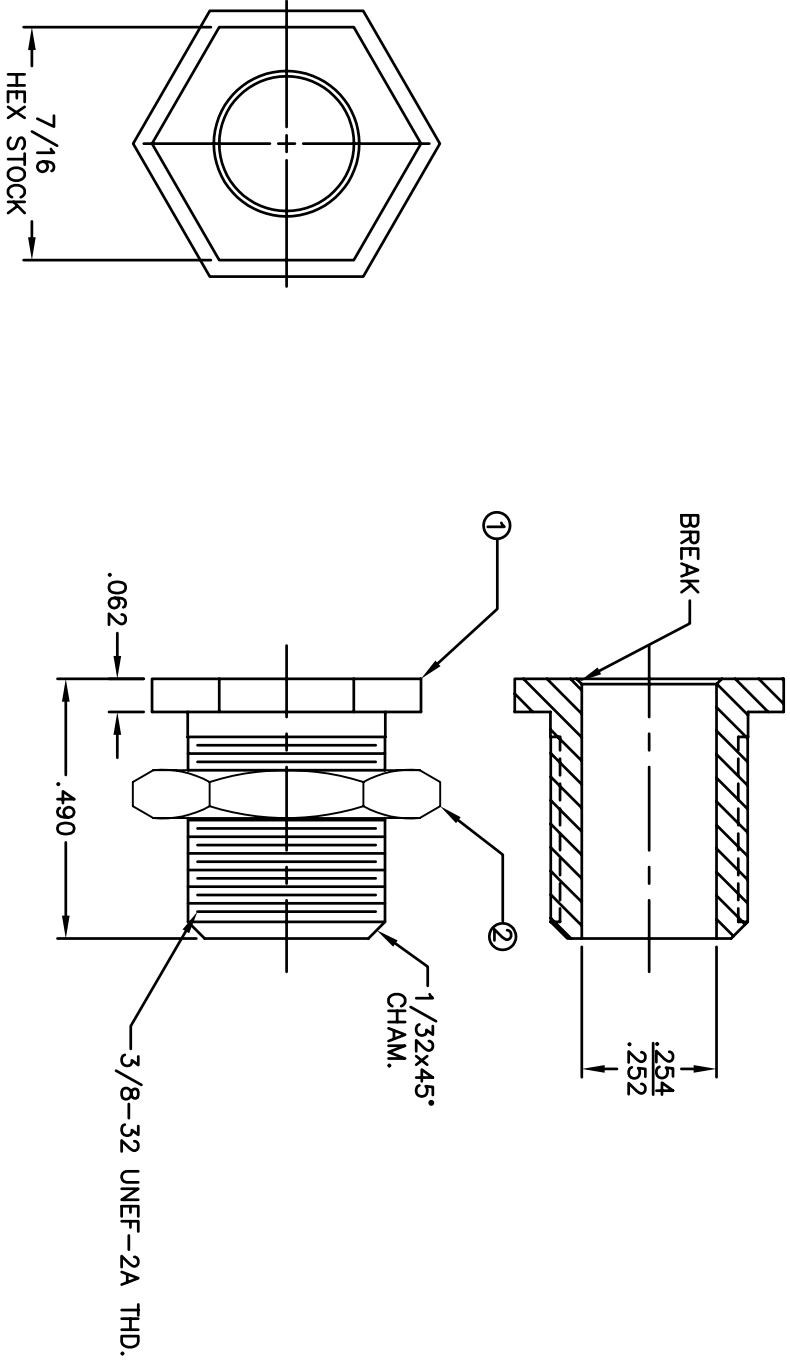


BILL OF MATERIALS				
DET.	QTY.	DESCRIPTION	MATERIAL	PLATING
1	1	BUSHING	BRASS	NICKEL
2	1	NUT	BRASS	NICKEL

REVISIONS		REVISIONS	DATE	APPR
(A)	REDRAWN FROM REV #2	TPL	4/12/06	TPL



MATERIAL: SEE BOM		FINISH: SEE BOM	
DIMENSIONAL TOLERANCES UNLESS OTHERWISE SPECIFIED			
XX	XXX	XXXX	
FRAGMENTS ANGLES SCALE			
---	---	4X	
DRAWN: T. LORD		DATE: 4/12/06	
CHECKED: T. LORD		DATE: 4/12/06	
APPROVED: T. LORD		DATE: 4/12/06	
PLOT SCALE: 1=1			
TITLE: 119		SIZE: B	
PANEL BEARING		DRAWING NUMBER: SD-119	
1/4"		ISSUE: A	
Electronic Connectors and Hardware 632 Arch Street, Meadville, Pa. 16335			

**ABBATRON**

Electronic Connectors and Hardware  
632 Arch Street, Meadville, Pa. 16335