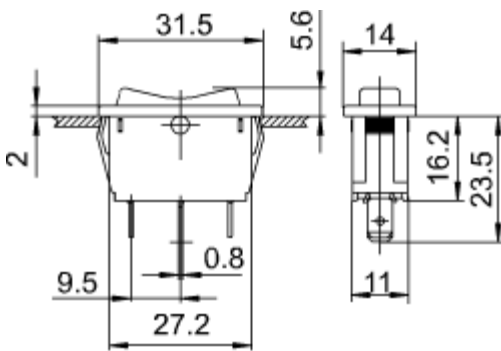




Marquardt Mechatronik GmbH
Schloss-Str. 16
78604 Rietheim-Weilheim
Germany

Phone: +49 (0) 7424 / 99-0
Fax: +49 (0) 7424 / 99-2399
Net: www.marquardt.de
E-mail: marquardt@marquardt.de

Product image / Drawings



X = wall thickness

X	Y	Z
0.75 ... 1.25	30 -0.1	11 +0.1
1.25 ... 2	30.2 -0.1	11 +0.1
2 ... 3	30.6 -0.1	11 +0.1

Technical data

Product number	1838.1509
Actuator color / printing	
Product family	Rocker switches
Actuation type	direct
Weight	5.190 g
ROHS conform	yes
Distributor	EVG
Switching function	Changeover switch with OFF position in the center (SPDT - Center OFF)
Material fixed contact	Cu silver-plated
Number of poles connections	1 - pole Quick-connect terminal, 4.8 x 0.8
Mechanical life endurance	5E4
Rating IEC	6 (4) A 250 V AC 1E4
Rating North America	6 A 125 - 250 V AC 1/8 HP
Contact resistance (new condition)	< 100 (1 A 12 V DC) mOhm
Insulation resistance (new condition)	> 100 (500 V DC) MOhm
Voltage strength at 250 V	function insulation / basic insulation 1 500 V reinforced insulation 3 000 V small contact distance 500 V
Proof tracking	250 PTI
Insulation spacing	acc. to EN 61058 for reinforced or double insulation
Protection type	Connection IP 40 Actuator IP 40
Temperatures	Connection side min. -20 °C Connection side max. 105 °C Actuation side min. -20 °C Actuation side max. 55 °C Storage temperature min. -40 °C Storage temperature max. 80 °C
Flammability	UL 94 V-2
Glow wire test temperature	850 °C
Actuators and additional actuators	rocker: PA, black, identification white
Housing description	housing: PA, black
Connection surface	bearing connection silver plated external connection silver plated
Contact material	Ag
Contact distance	≥ 3 mm
Rating Code UL	R 58
Contact type	lifting contact
Plug force of the terminals	≤ 80 N

Approval marks	CSA / ENEC 05 / UL
Suitable for appliances of protection class	II
Type of fastening	Snap fastening
Stock version	●