

PRODUCT NO.  
73725

PRODUCT NUMBER CODE

73725-X X X C X LF

HOUSING COLOR OPTION  
0-WHITE  
1-BLACK

SENSOR CONTACT OPTION  
0-WITH SENSOR CONTACT  
1-WITHOUT SENSOR CONTACT

SHIELD PLATING OPTION

- 1- 1.25µm MINIMUM NICKEL UNDERPLATE & 2.5µm MINIMUM BRIGHT TIN OVER ALL AREA. (HOLD DOWN STYLE "A")
- 2- 1.25µm MINIMUM NICKEL UNDERPLATED OVER ALL; 2.5 µm MINIMUM MATTE TIN PLATED ON HOLD DOWN AREA ONLY.(HOLD DOWN STYLE "B")
- 3- 1.25µm MINIMUM NICKEL UNDERPLATED OVER ALL; 2.5 µm MINIMUM MATTE TIN PLATED ON HOLD DOWN AREA ONLY.(HOLD DOWN STYLE "A")
- 4- 1.25µm MINIMUM NICKEL UNDERPLATED & 2.5µm MINIMUM BRIGHT TIN OVER ALL AREA. (HOLD DOWN STYLE "B")
- 5- 1.25µm MINIMUM NICKEL UNDERPLATED OVER ALL; 2.5µm MINIMUM MATTE TIN PLATED ON HOLD DOWN AREA ONLY (HOLD DOWN STYLE "C")
- 6- 1.25µm MINIMUM NICKEL ONLY. (HOLD DOWN STYLE "A")
- 7- 1.25µm MINIMUM NICKEL UNDERPLATED & 2.5 µm MINIMUM MATTE TIN PLATED OVER ALL. (HOLD DOWN STYLE "A")
- 8- 1.25µm MINIMUM NICKEL UNDERPLATED & 2.5 µm MINIMUM MATTE TIN PLATED ALL AREA. (HOLD DOWN STYLE "B")
- 9- 1.25µm MINIMUM NICKEL UNDERPLATED OVER ALL; 2.5 µm MINIMUM MATTE TIN PLATED ON HOLD DOWN AREA ONLY (HOLD DOWN STYLE "D")
- S- 1.25µm MINIMUM NICKEL ONLY.(HOLD DOWN STYLE "A"). HIGH PERFORMANCE MATERIAL FOR 12,000 DURABILITY CYCLES
- A- 1.25µm MINIMUM NICKEL PLATED OVER ALL 2.5 µm MINIMUM MATTE TIN PLATED ON HOLD DOWN AREA ONLY (HOLD DOWN STYLE "F")
- B- 1.25µm MINIMUM NICKEL PLATED OVER ALL 2.5 µm MINIMUM MATTE TIN PLATED ON HOLD DOWN AREA ONLY (HOLD DOWN STYLE "F")

TERMINAL OPTION

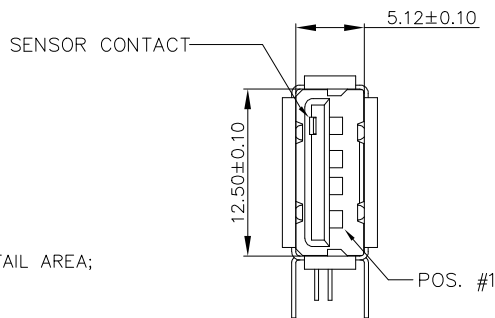
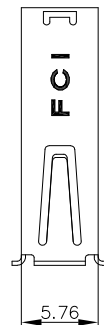
50u" NI UNDERPLATE; 30u" GXT CONTACT AREA,100u" TIN TAIL AREA;

- 0- DIM "A": 2.29 (TERMINAL TAIL LENGTH);
- 1- DIM "A": 3.71 (TERMINAL TAIL LENGTH);

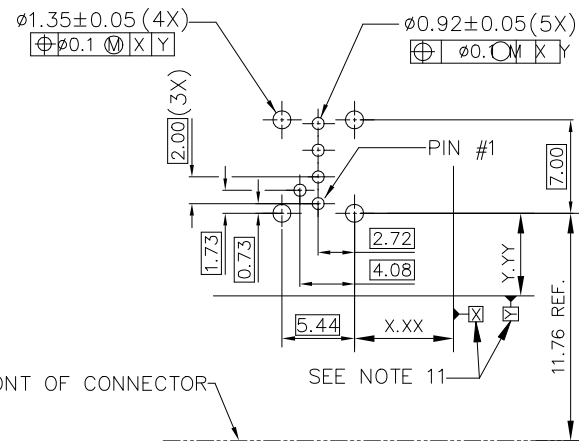
LEAD FREE OPTION  
SEE NOTE 9

PACKAGING OPTION  
B - TUBE  
R - TAPE&REEL

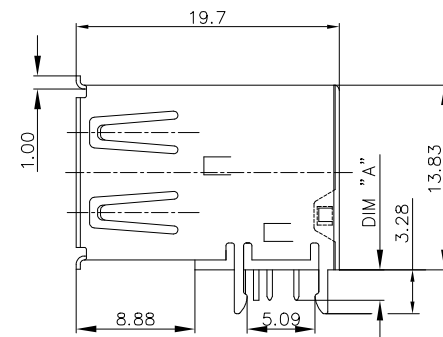
SPECIAL CODE FOR CISCO



WITH SENSOR CONTACT



PC BOARD MOUNTING DIMENSIONS FOR 5 PIN



FOR 73725-X0X0B  
HOLD DOWN STYLE "A"

NOTES:

1. MATERIAL:  
CONTACTS: COPPER ALLOY  
SHIELD: COPPER ALLOY  
HOUSING: UL 94V-0 THERMOPLASTIC, COLOR: SEE PRODUCT CODE
2. PLATING:  
CONTACTS: GOLD FLASH OVER PALLADIUM NICKEL (0.76µm MINIMUM) IN CONTACT AREA; 2.5 µm TIN MINIMUM IN SOLDER TAIL AREA.  
1.27 µm MINIMUM NICKEL UNDERPLATE OVER ALL SURFACES.  
SHIELD: SEE PRODUCT NUMBER CODE.  
(THE PLATING MEASURE POINT ON THE SHIELD HOLD DOWN AREA ONLY).
3. DATUMS & BASIC DIMENSIONS TO BE DETERMINED BY CUSTOMER
4. RECOMMENDED PCB BOARD THICKNESS IS 1.00 ~ 1.60mm EXCEPT 73725-1191BLF; 73725-1191BLF CAN BE USED FOR THE PCB BOARD THICKNESS 2.30 ~ 2.65mm.
5. MAXIMUM PANEL THICKNESS TO BE 2.67mm IF MOUNTED BEHIND PANEL
6. METAL SHELL SLIVER 0.20 MAX.
7. NI PLATING DOES NOT COMPLY WITH THE USB STANDARDS (TO BE CONTINUED)

mat'l. code		surface <sup>123</sup> tolerance		projection		product family	
		ISO 1302 ✓ ISO 406 ISO 1101		1101		HPL 511 USB 2.0	
ltr	ecn no	dr	date	tolerances unless otherwise specified		title	
AJ	ELX-N-27708	LZ	2017/08/15	angles	.0±.30	USB UP-RIGHT RECEPT	
AK	ELX-N-34768	YY	2019/09/19	linear	.00±.20		
				0±2'	.000±.10	scale 1:1	
AE	ELX-N-13463	A.ZH	11/14/2012	dr	PAMP	5/20/97	dwg no
AF	ELX-N-14592	J.HAN	06/10/2013	engr	R Y LIU	5/20/97	
AG	ELX-N-21594	LQ	08/04/2015	chr	R Y LIU	5/20/97	73725
AH	ELX-N-21919	LQ	08/04/2015	appd	JENN TSAO	5/20/97	
sheet	revision						
index	sheet						



Amphenol FCI  
© 2016 AFCI

PRODUCT NO.  
73725

(CONTINUED)

8. P/N'S WITH SUFFIX "LF" ARE LEAD FREE P/N'S

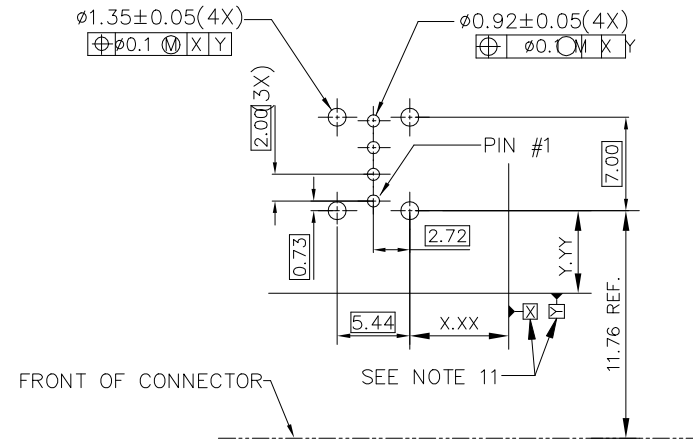
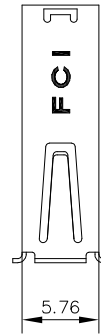
FOR LEAD FREE P/N, THE PRODUCT MEET EUROPEAN UNION DIRECTIVES AND OTHER COUNTRY REGULATION AS DESCRIBED IN GS-22-008

FOR THE PRODUCTS WITH THE METAL SHELL PLATING NICKEL AND MATTE SN CAN WITHSTAND EXPOSURE TO 260°C PEAK TEMPERATURE FOR 40 SECONDS IN A CONVECTION, INFRA-RED OR VAPOR PHASE REFLOW PROCESS; FOR THE PRODUCTS WITH METAL SHELL PLATING BRIGHT SN OR SEMI-BRIGHT SN CAN'T WITHSTAND REFLOW AND JUST CAN WITHSTAND EXPOSURE TO 260°C PEAK TEMPERATURE FOR 10 SECONDS IN WAVE SOLDERING PROCESS.

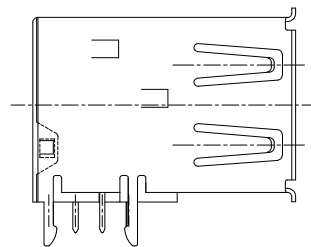
FOR ALL LEAD FREE P/N'S, WITH SUFFIX LF.

12. THE PRODUCT CAN BE USED FOR PIP PROCESS

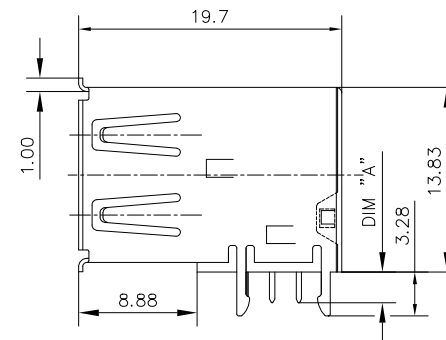
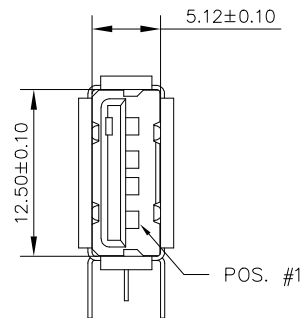
13. DATUM OF CUSTOMER'S PCB LAYOUT.



PC BOARD MOUNTING DIMENSIONS FOR 4 PIN



WITHOUT SENSOR CONTACT



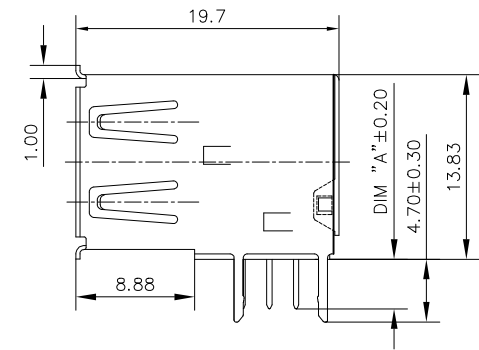
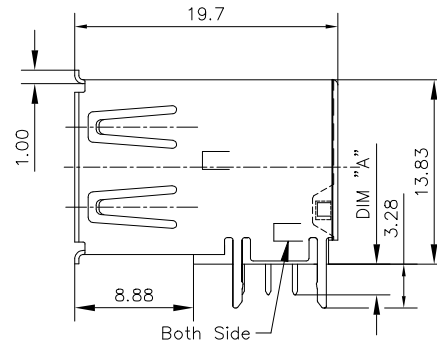
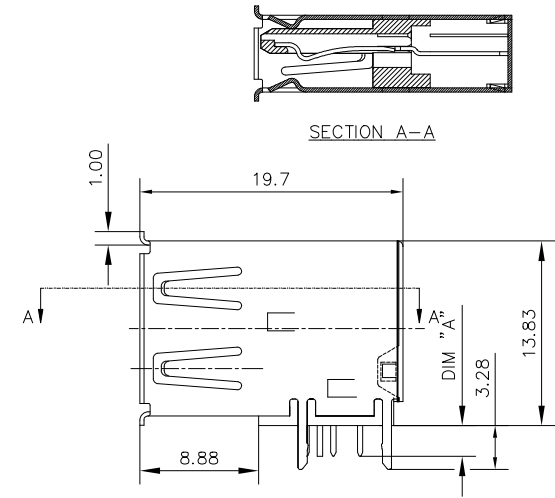
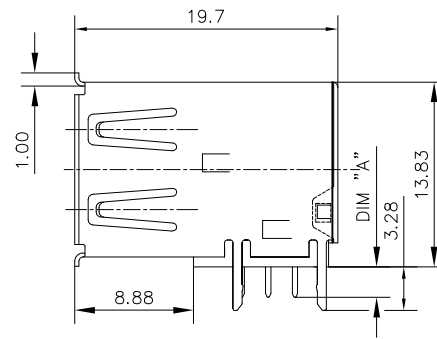
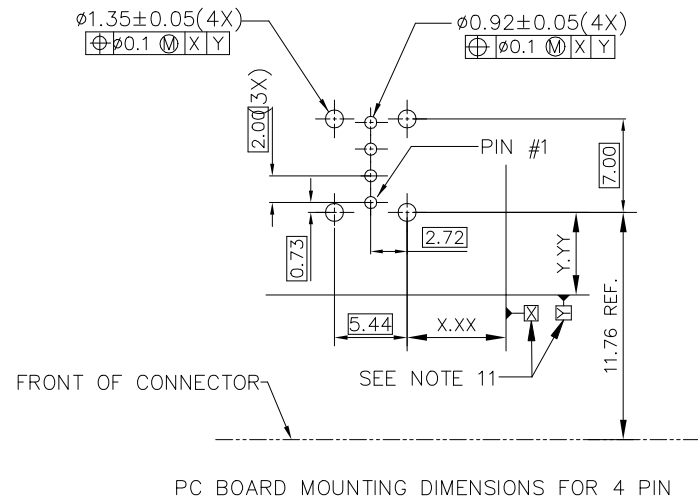
FOR 73725-X1X0B  
HOLD DOWN STYLE "A"

Amphenol  
FCI

© 2016 AFCI

mat'l. code		surface <sup>123</sup> tolerance		projection		product family	
		ISO 1302 ✓ ISO 406 ISO 1101		1101		HPL 511 USB 2.0	
ltr		ecn no		dr		date	
AK							
angles		linear		mm		title	
0°±2'		.00±.10		scale 1:1		USB UP-RIGHT RECEPT	
dr		PAMP		5/20/97		dwg no	
engr		R Y LIU		5/20/97		sheet 2 of 4	
chr		R Y LIU		5/20/97		size	
appd		JENN TSAO		5/20/97		A3	
sheet index		revision sheet				type Product Customer Drawing	

PRODUCT NO.  
73725

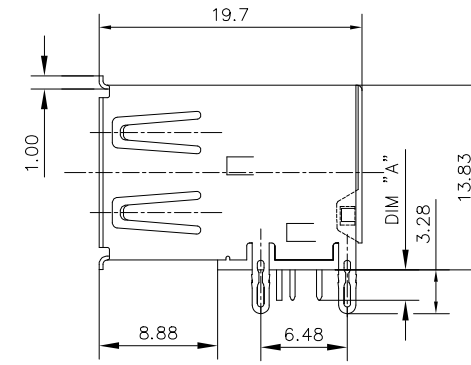
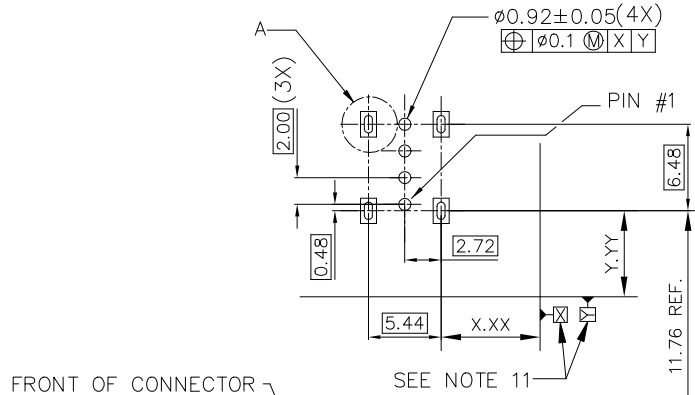


Amphenol  
FCI

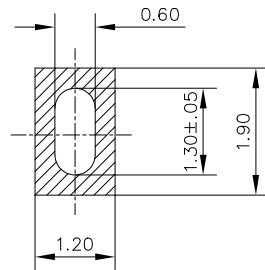
© 2016 AFCI

mat'l. code		surface <sub>123</sub> tolerance		projection		product family	
		ISO 1302 ✓ ISO 406 ISO 1101		ISO 1101		HPL 511 USB 2.0	
ltr		ecn no		dr		date	
AK							
angles		linear		tolerances unless otherwise specified		title	
0°±2'				.0±.30		mm	
				.00±.20		USB UP-RIGHT RECEPT	
				.000±.10		scale 1:1	
dr		PAMP		5/20/97		dwg no	
engr		R Y LIU		5/20/97		sheet 3 of 4	
chr		R Y LIU		5/20/97		73725	
appd		JENN TSAO		5/20/97		A3	
sheet index		revision sheet				type Product Customer Drawing	

PRODUCT NO.  
73725



WITHOUT SENSOR CONTACT  
FOR 73725-X150B  
HOLD DOWN STYLE "C"



DETAIL A 5 : 1

mat'l. code		surface <sup>123</sup> ISO 1302 ✓	tolerance ISO 406 ISO 1101	projection 1101	product family HPL 511 USB 2.0
ltr	ecn no	dr	date	tolerances unless otherwise specified	title USB UP-RIGHT RECEPT
AK				angles linear 0°±2'	mm scale 1:1
				dr PAMP 5/20/97	Amphenol FCI dwg no 73725 sheet 4 of 4 size A3 type Product Customer Drawing
				engr R Y LIU 5/20/97	
				chr R Y LIU 5/20/97	
				appd JENN TSAO 5/20/97	
sheet index	revision sheet				