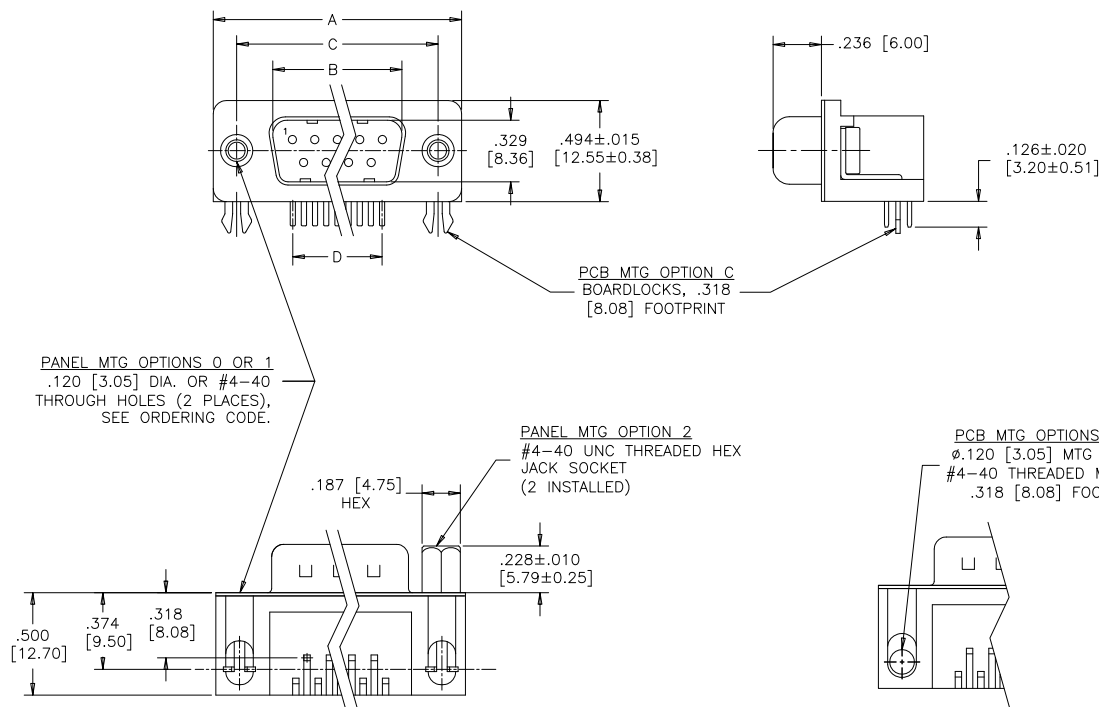


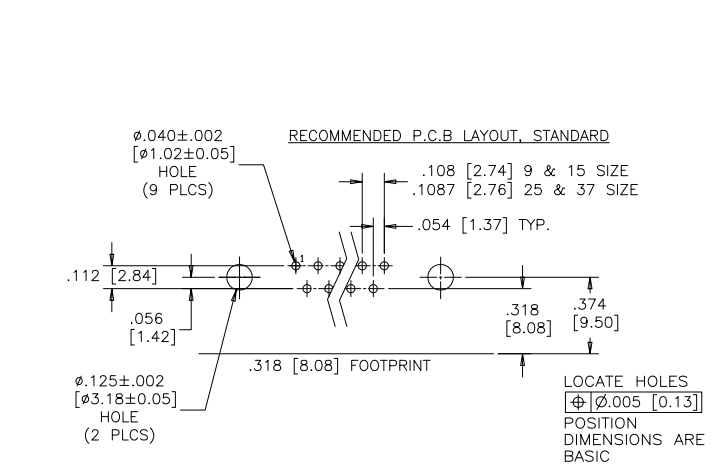
**.318 [8.08] FOOTPRINT**  
(STANDARD PCB LAYOUT)

REVISIONS			
REV	ECN, ERN NO.	DATE	APPRD.
A	PRODUCT DRAWING (EAR 12932)	APR17/06	K.L.
B	PRODUCT DRAWING (EAR 14576)	JULY18/17	K.L.



**DIMENSIONS**

SIZE	A±.015 [0.38]	B±.005 [0.13]	C±.005 [0.13]	D BSC.
009	1.213 [30.81]	.666 [16.92]	.984 [24.99]	.432 [10.97]
015	1.541 [39.14]	.994 [25.25]	1.312 [33.32]	.756 [19.20]
025	2.088 [53.04]	1.534 [38.96]	1.852 [47.04]	1.304 [33.12]
037	2.729 [69.32]	2.182 [55.42]	2.500 [63.50]	1.956 [49.68]



**ORDERING CODE:**

**PART NUMBER:** 6 E 1 7 X - X X X P X X - X 2 1 X  
**SERIES:** 6 E 1 7 X - X X X P X X - X 2 1 X  
**PCB MTG. OPTIONS:**  
 C=BOARDLOCK OPTION, .318 [8.08] FOOTPRINT  
 D= $\phi .120$  [3.05] MTG HOLE, .318 [8.08] FOOTPRINT  
 J=#4-40 THREADED MTG HOLE, .318 [8.08] FOOTPRINT  
 U= $\phi .120$  [3.05] MTG HOLE, .590 [14.99] FOOTPRINT  
 Y=BOARDLOCK OPTION, .590 [14.99] FOOTPRINT  
**NUMBER OF CONTACTS:** 009, 015, 025, 037  
**STYLE:** P=PIN

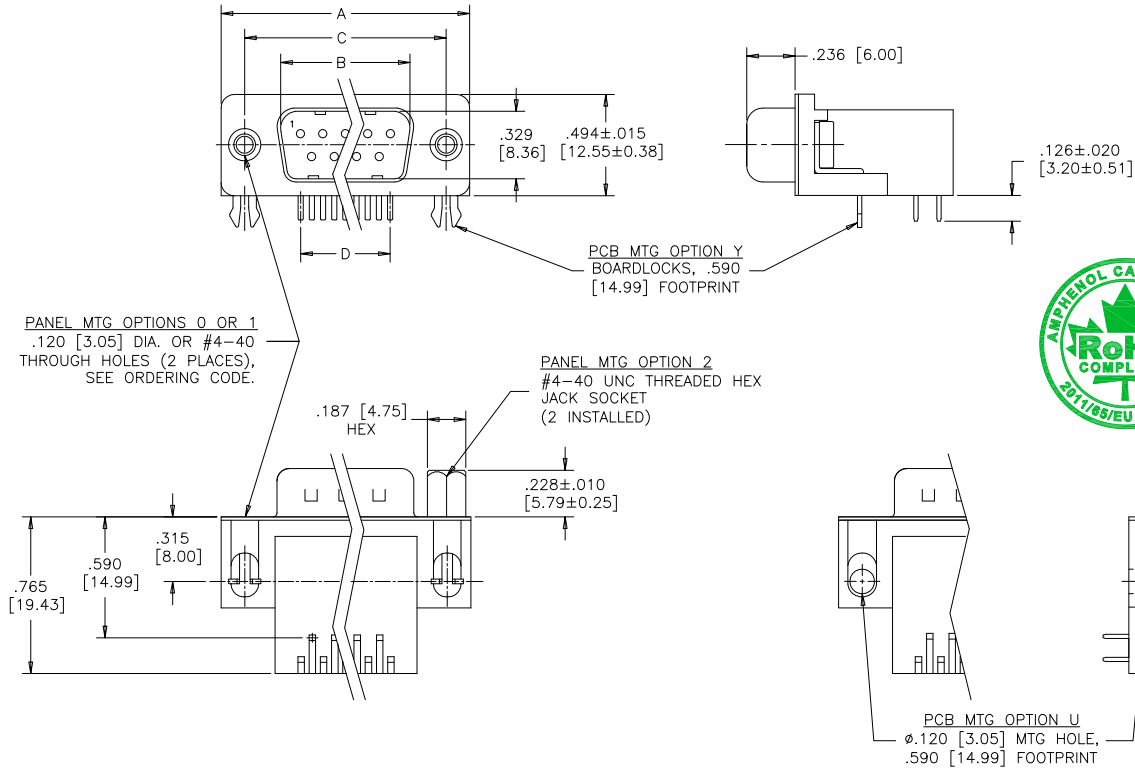
**PCB LAYOUT CODE**  
 NO DIGIT=STANDARD MOUNTING HOLE POSITION  
 .374 [9.50] DIM'N FOR .318 [8.08] F/P  
 .315 [8.00] DIM'N FOR .590 [14.99] F/P  
 E=.646 [16.41] DIM'N FOR .590 [14.99] F/P  
**SHELL CHARACTERISTICS**  
 21=TIN PLATED PLUG SHELL WITH GROUNDING INDENTS  
**PANEL MOUNTING OPTIONS**  
 0= $\phi .120$ " [3.05] THROUGH HOLE  
 1=#4-40 THREADED HOLE  
 2=MOUNTING OPTION 1 WITH #4-40 UNC HEX JACK SOCKETS INSTALLED  
**CONTACT PLATING OPTIONS**  
 BF=ENGAGEMENT AREA  $3\mu$ " [0.08 MICRONS] GOLD FLASH  
 CF=ENGAGEMENT AREA  $15\mu$ " [0.38 MICRONS] GOLD  
 AJ=ENGAGEMENT AREA  $30\mu$ " [0.76 MICRONS] GOLD

SEE SHEET 2 FOR NOTES & SPECIFICATIONS

DRAWN	A.CHENG	DATE	APR17/06	Amphenol Canada Corp.	
DESIGNED					
CHECKED	K.LAMBIE	DATE	APR17/06	TITLE	
I. E. APPRD.					
Q. A. APPRD.				6E17 SERIES D-SUB CONNECTOR, 9 TO 37 SIZE PIN, RIGHT ANGLE WITH F/P, MTG AND PLATING OPTIONS, RoHS COMPLIANT	
DWG. APPRD.					
ENG. REL. NO.		DWG	DRAWING NO.	REV.	
REF.	EAR 12932	C	P-6E17X-XXXPXX-X21X	B	
DIMENSIONS ARE IN INCHES		CODE ID. NO.	03554	SCALE	2/1
		WT.		SURF.	
				SHEET	1 OF 2

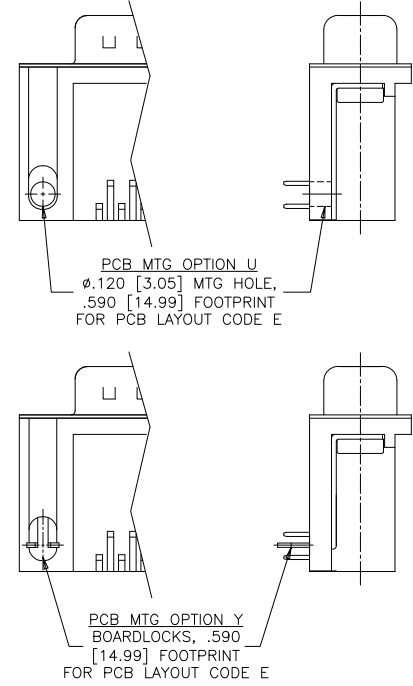
THIS DOCUMENT CONTAINS PROPRIETARY INFORMATION AND SUCH INFORMATION MAY NOT BE DISCLOSED TO OTHERS FOR ANY PURPOSE OR USED FOR MANUFACTURING PURPOSES WITHOUT WRITTEN PERMISSION FROM AMPHENOL CANADA CORP.

**.590 [14.99] FOOTPRINT  
(STANDARD PCB LAYOUT)**

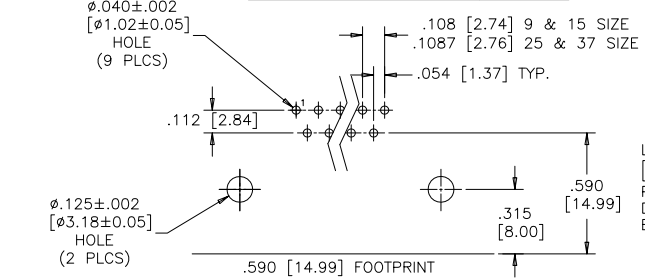


REVISIONS			
REV	ECN, ERN NO.	DATE	APPRD.
A	PRODUCT DRAWING (EAR 12932)	APR17/06	K.L.
B	PRODUCT DRAWING (EAR 14576)	JULY18/17	K.L.

**.590 [14.99] FOOTPRINT  
(PCB LAYOUT CODE E)**



**RECOMMENDED P.C.B LAYOUT, STANDARD**

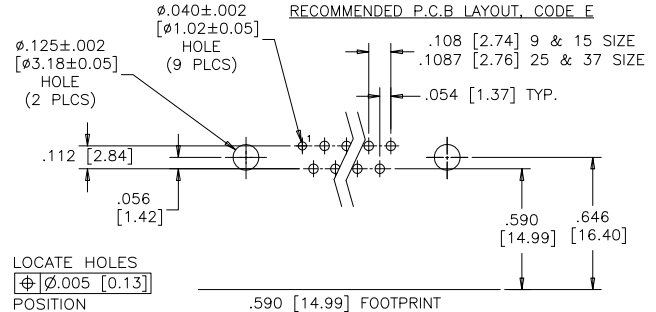


LOCATE HOLES  
 $\phi$  [ø.005 [0.13]]  
POSITION DIMENSIONS ARE BASIC

**DIMENSIONS**

SIZE	A±.015 [0.38]	B±.005 [0.13]	C±.005 [0.13]	D BSC.
009	1.213 [30.81]	.666 [16.92]	.984 [24.99]	.432 [10.97]
015	1.541 [39.14]	.994 [25.25]	1.312 [33.32]	.756 [19.20]
025	2.088 [53.04]	1.534 [38.96]	1.852 [47.04]	1.304 [33.12]
037	2.729 [69.32]	2.182 [55.42]	2.500 [63.50]	1.956 [49.68]

**RECOMMENDED P.C.B LAYOUT, CODE E**



LOCATE HOLES  
 $\phi$  [ø.005 [0.13]]  
POSITION DIMENSIONS ARE BASIC

**SPECIFICATIONS:**

**MATERIALS:** ALL MATERIALS ARE RoHS COMPLIANT

**SHELL:** STEEL, TIN PLATED

**INSERTS:** HIGH TEMPERATURE RESISTANT NYLON, GLASS REINFORCED, UL FLAMMABILITY RATING 94V-0, COLOUR: BLACK

**CONTACTS:** COPPER ALLOY, GOLD PLATING (SEE ORDERING CODE) OVER 50u" [1.27 MICRONS] NICKEL ON ENGAGEMENT AREA WITH 100u" [2.54 MICRONS] MIN. MATTE TIN ON CONTACT TERMINALS.

**BOARDLOCK:** COPPER ALLOY, TIN PLATED

**ELECTRICAL DATA:**

**CURRENT RATING:** 5 AMP

**CONTACT RESISTANCE:** 15 MILLIOHMS MAX.

**INSULATION RESISTANCE:** 3000 MEGOHMS MIN.

**DIELECTRIC WITHSTANDING VOLTAGE:** 1000 VAC rms

**OPERATING TEMPERATURE:** -55°C TO +105°C

SEE SHEET 1 FOR ORDERING CODE

DRAWN	A.CHENG	DATE	APR17/06
DESIGNED			
CHECKED	K.LAMBIE	DATE	APR17/06
I. E. APPRD.			
Q. A. APPRD.			
DWG. APPRD.			
ENG. REL. NO.			
REF.	EAR 12932		
DIMENSIONS ARE IN	INCHES	CODE ID. NO.	03554

**Amphenol Canada Corp.**

TITLE  
6E17 SERIES D-SUB CONNECTOR, 9 TO 37 SIZE PIN, RIGHT ANGLE WITH F/P, MTG AND PLATING OPTIONS, RoHS COMPLIANT

DWG	DRAWING NO.	REV.
C	P-6E17X-XXXPXX-X21X	B
SCALE	2/1	WT. -----
SURF.	-----	SHEET 2 OF 2