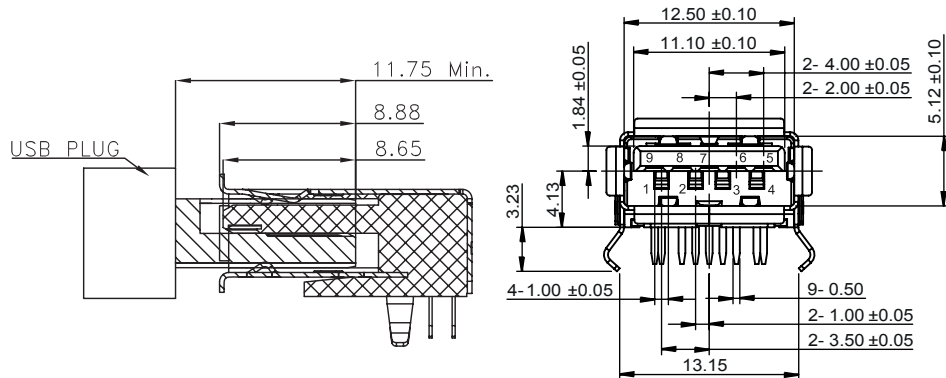
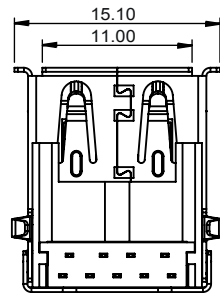


CONNECTOR FRONT EDGE
PCB LAYOUT * - COMPONENT VIEW
TOLERANCE ± 0.05 MM



TECHNICAL CHARACTERISTICS

MATERIAL
INSULATOR: LCP
FLAMMABILITY RATING: UL94-V0
COLOR: BLUE
CONTACT MATERIAL: PHOSPHOR BRONZE
CONTACT TYPE: STAMPED
CONTACT PLATING: UNDERPLATE Nickel
CONTACT AREA Pd-Ni + Gold
SOLDER TAIL AREA Matt Tin
SHIELDING: BRASS MATT TIN PLATED
QUALITY CLASS: 5000 MATING CYCLES

ENVIRONMENTAL
OPERATING TEMPERATURE: -20°C up to +85°C
COMPLIANCE: LEAD FREE & RoHS

ELECTRICAL
CURRENT RATING:
- PIN 1 & PIN 4 (Vbus & corresponding ground PIN) 1.8A MAX
- OTHER PINS 0.25 A MAX
WORKING VOLTAGE: 30 VAC
DIELECTRIC WITHSTANDING VOLTAGE: 100 VAC/MIN
INSULATION RESISTANCE: > 100 MΩ
CONTACT RESISTANCE:
- PIN 1 & PIN 4: 30 mΩ MAX
- OTHER PINS: 50 mΩ MAX

STANDARD
CERTIFIED: E323964

MECHANICAL
INSERTION FORCE: 35.0N MAX
EXTRACTION FORCE: 10.0N MIN

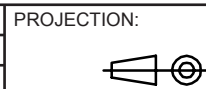
SOLDERING
JEDEC LEAD FREE WAVE SOLDERING

PACKAGING
TAPE & REEL

Pin Number	Signal Name
1	VBUS
2	D-
3	D+
4	GND
5	StdA_SSRX-
6	StdA_SSRX+
7	GND_DRAIN
8	StdA_SSTX-
9	StdA_SSTX+
Shell	Shield

* NOTE: THE RECOMMENDED PCB LAYOUT IS FOR AN OPTIMIZED RETENTION FORCE OF CONNECTOR ON PCB BUT IT IMPLIES INSERTION FORCE THAT A LOT OF PICK AND PLACE MACHINES ARE NOT ABLE TO HANDLE. THEREFORE IT MIGHT BE NECESSARY TO DRILL BIGGER HOLES FOR THE CLIPS. PLEASE CHECK THIS CAREFULLY.

RoHS Compliant			
I	27-OCT-14	GENERAL UPDATE	AS
H	01-APR-14	SOLDERING	QL
REV	DATE	FILE	BY



APPROVAL: NPr

GENERAL TOLERANCE
.X = +/- 0.2
.XX = +/- 0.15

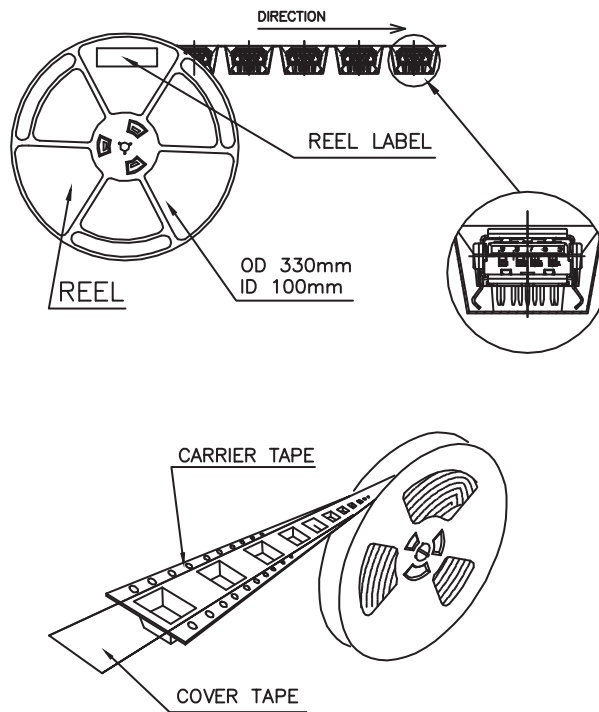
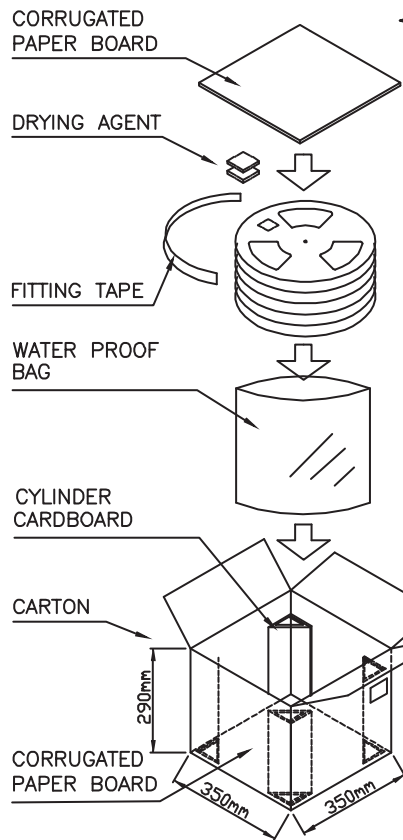
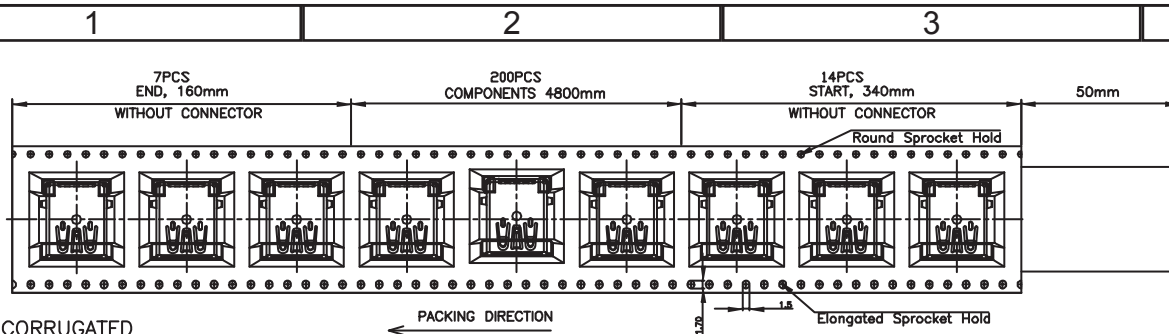
UNIT: MM
SCALE:
SHEET: 1/3
DRAW: AS



DESCRIPTION: WR-COM - USB 3.0 HORIZONTAL TYPE A

WERI PART NO: 692 121 030 100

SIZE
A4



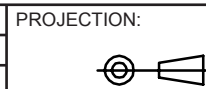
NOTES

1. MATERIALS: PS
2. 1000PCS/CARTON
3. RoHS
All Material in According With The Rohs Environment Related Substances List Controlled.
4. PART NO.

Packing SPEC

1. Fill in a corrugated paper board
2. Put 5 reels of products into water proof bag, with 2pcs of drying agent.
3. Make all reel label side up.
4. The upper formation puts corrugated
5. As the indication sticking the label at the certain place of carton.

RoHS Compliant			
G			
F			
E			
D			
C			
B			
A			
REV	DATE	FILE	BY



APPROVAL: NPr

GENERAL TOLERANCE
 .X = +/- 0.2
 .XX = +/- 0.15



DESCRIPTION: WR-COM - USB 3.0 HORIZONTAL TYPE A

WERI PART NO: 692 121 030 100

SIZE
A4

1

2

3

4

5

Cautions and Warnings:

This electronic component is designed and developed with the intention for use in general electronics equipments.

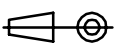

Before incorporating the components into any equipments in the field such as aerospace, aviation, nuclear control, submarine, transportation, (automotive control, train control, ship control), transportation signal, disaster prevention, medical, public information network etc. where higher safety and reliability are especially required or if there is possibility of direct damage or injury to human body, Würth Elektronik must be asked for a written approval.

In addition, even electronic component in general electronic equipments, when used in electrical circuits that require high safety, reliability functions or performance, the sufficient reliability evaluation-check for the safety must be performed before by the user before usage.

A

B

C

RoHS Compliant				PROJECTION: 	GENERAL TOLERANCE .X = +/- 0.2 .XX = +/- 0.15		DESCRIPTION: DISCLAIMER	SIZE A4
G								
F								
E								
D				APPROVAL: JC	UNIT: MM	WERI PART NO: DISCLAIMER	SIZE A4	
C					SCALE:			
B					SHEET: 3/3			
A	10-SEP-14	PDF	QL		DRAW: QL			
REV	DATE	FILE	BY					

D