



SCHROFF

Project - 0 item(s)

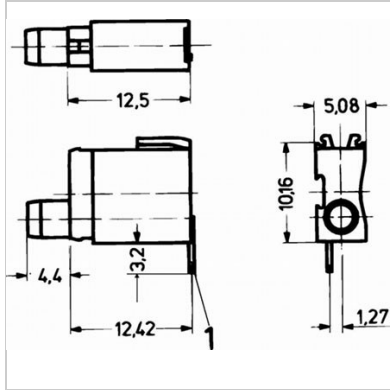
MY PROJECT LIST

- PRODUCTS
- APPLICATIONS
- INDUSTRIES
- NEW PRODUCTS
- CONFIGURATORS
- Products ▾
- Search
-

Home > Test socket, Ø 2 mm

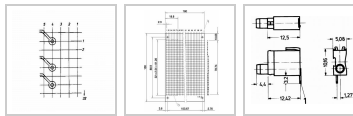
Test socket, Ø 2 mm

SCHROFF



Short type, 1= mounting plane

Other Views



Catalog Number: 69004-130

[Back To Product](#)

- Short type for mounting plane 1

Note:

- Required front panel drill hole: Ø 4 mm
- Dimensions of connecting pins: 0.3 × 0.6 mm

Type:

Test Sockets

Standard pack quantity (SPQ):

Please take into consideration that deliveries may be carried out in the stated SPQs (SPQ, e.g. 5 pieces, 10 pieces, 50 pieces, etc.). Differing order quantities (e.g. 2 pieces) may be changed to the next possible delivery quantity = Standard Pack Quantity.

Electronics:

Test socket

LED:

Short Type



Select product specifications before modifying or adding to project list or requesting a quote.

Configuration-defining

Short type for mounting plane 1

[Clear Selection](#)

Quantity

Add Item to Project List +

Documents



Main Catalog - Front panel component systems

Technical Data

Qty	1 piece (SPQ 10)	Contact surface	Selectively gold-plated
Delivery is exclusively made in Standard Pack Quantity (SPQ)	10	Operating voltage [VAC]	≤ 60
		Flammability	UL 94 V-0
Configuration	Mounting plane 1	Solder temperature [°C]	260 °C/max. 5 sec (processing advice for wave soldering: protect plastic body against solder wave)
		Insulating body	PBT (Crastin)
		Operating current [A]	≤ 1
		Contact material	Copper alloy
		Climate use category	H = -25 °C; S = +70 °C; F = 75 % air humidity, no condensation to DIN 40 040
		Temperature range [°C]	-25 ... +70 °C
		Test voltage [kV/Hz]	1 / 50

EXPLORE

- [About Us](#)
- [Services & Capabilities](#)
- [News & Events](#)
- [Newsletter Subscriptions](#)
- [Strategic Partnerships](#)
- [Investor Relations](#)

CONTACT

- [Customer Service](#)
- [Find a Sales Office or Distributor](#)
- [Global Locations](#)
- [Product Compliance & Certifications](#)
- [Partner Login](#)

DOWNLOAD

- [Download Center](#)
- [Reference Projects](#)
- [Videos](#)
- [Product Configurators](#)
- [Warranties and Terms of Sale & Procurement](#)

Connect With Us

