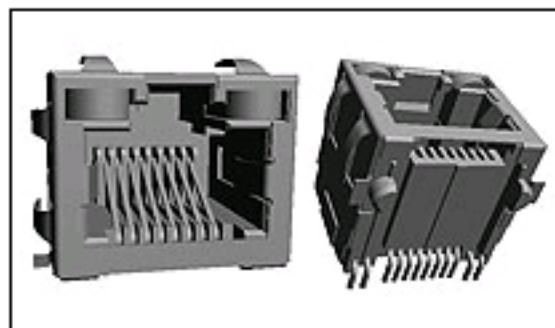


6339191-5 Product Details

Share | Print | Email



6339191-5

TE Internal Number: 6339191-5
Active

View 3D PDF

PCB Mounted Jacks - Single Port, Multi-port and Stacked

Always EU RoHS/ELV Compliant (Statement of Compliance)

Product Highlights:

- Connector
- Preloaded
- Single Port Configuration
- 1 x 1 Jack Configuration
- Jack Type = RJ45

View all Features

Quick Links

- ▶ Pricing & Availability
- ▶ Search for Tooling
- ▶ Product Feature Selector
- ▶ Contact Us About This Product

Add to My Part List | Request Sample | Find Similar Products | Buy Product

Documentation & Additional Information

Product Drawings:

- [INVERTED MODULAR JACK ASSEMBLY, 1x1, SHIELDED, SURFA... \(PDF, English\)](#)

Catalog Pages/Data Sheets:

- None Available

Product Specifications:

- [Inverted Six and Eight Position Surface Mount Shield... \(PDF, English\)](#)

Application Specifications:

- [Modular Jacks with Integral Light Emitting Diode \(LED\) \(PDF, English\)](#)
- [Modular Jack Surface Mount Printed Circuit \(PC\) Boar... \(PDF, English\)](#)

Instruction Sheets:

- None Available

CAD Files: (CAD Format & Compression Information)

- [2D Drawing \(DXF, Version D\)](#)
- [3D Model \(IGES, Version D\)](#)
- [3D Model \(STEP, Version D\)](#)

Additional Information:

- [Product Line Information](#)

Related Products:

- [Tooling](#)

List all Documents

Product Features (Please use the Product Drawing for all design activity)

Product Type Features:

- Product Type = Connector
- Jack Type = RJ45
- PCB Mounting Orientation = Side Entry (Right Angle)
- PCB Mount Style = Surface Mount
- Termination Method to PC Board = Solder
- Performance Category = Cat 5
- LED = With
- Grounding Options = Panel Ground and PCB Ground
- Panel Stops = Without
- Keyed = No
- Profile = Standard
- Color = Black
- Shield Material = Copper Alloy

Mechanical Attachment:

- Panel Mount Retention = With
- Flanged = No
- Boardlock = With

Electrical Characteristics:

- Shielded = Yes

Termination Features:

- Solder Tail Contact Plating = Matte Tin over Nickel

Dimensions:

- Height (mm [in]) = 13.34 [0.525]
- PCB Thickness, Recommended (mm [in]) = 1.57 [0.062]

Body Features:

- Inverted Jack Face = Yes
- Shield Plating = Matte Tin

Contact Features:

- Contact Plating, Mating Area, Material = Gold Flash over Palladium Nickel
- Contact Base Material = Phosphor Bronze

Housing Features:

- Housing Material = Liquid Crystal Polymer (LCP)
- UL Flammability Rating = UL 94V-0

Configuration Features:

- Preloaded = Yes
- Port Configuration = Single
- Jack Configuration = 1 x 1
- Number of Positions = 8
- Number of Contacts Loaded = 8
- Number of PCB Ground Tabs = 2
- Panel Ground Location = Top and Side

Industry Standards:

- RoHS/ELV Compliance = RoHS compliant, ELV compliant
- Lead Free Solder Processes = Reflow solder capable to 245°C
- RoHS/ELV Compliance History = Always was RoHS compliant

Identification Marking:

- LED Position 1 Color = Green
- LED Position 2 Color = Green
- LED Position 3 Color = None

Packaging Features:

- Packaging Method = Tape Mounted on Reel
- Packaging Quantity = 200 Pieces (per 38 cm diameter reel)

Product Availability:

- Region = Asia, North America

Other:

- Brand = TE Connectivity

Corporate Information

- [About TE](#)
- [Investors](#)
- [News Room](#)
- [Supplier Portal](#)
- [Careers](#)
- [Terms & Conditions](#)
- [Privacy Policy](#)

Quick Links

- [Distributor Inventory](#)
- [Product Cross Reference](#)
- [Documents & Drawings](#)
- [Product Compliance Support Center](#)
- [Site Map](#)

Customer Support

- [Email or Chat With Us](#)
- [Find a Phone Number](#)
- [Knowledge Base](#)
- [Manage Your Account](#)

Keep Me Informed

