

4

3

2

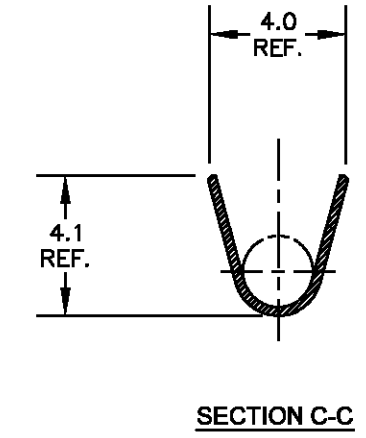
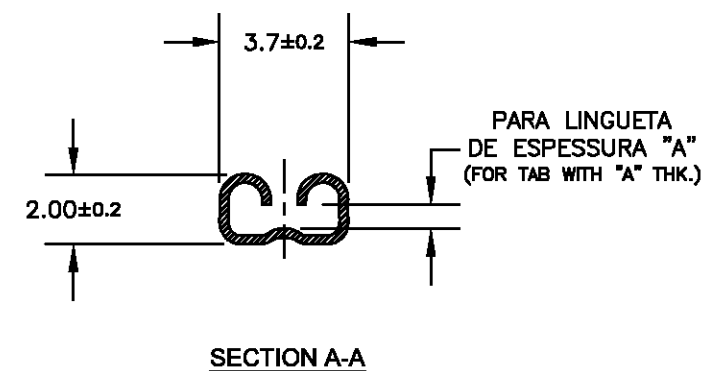
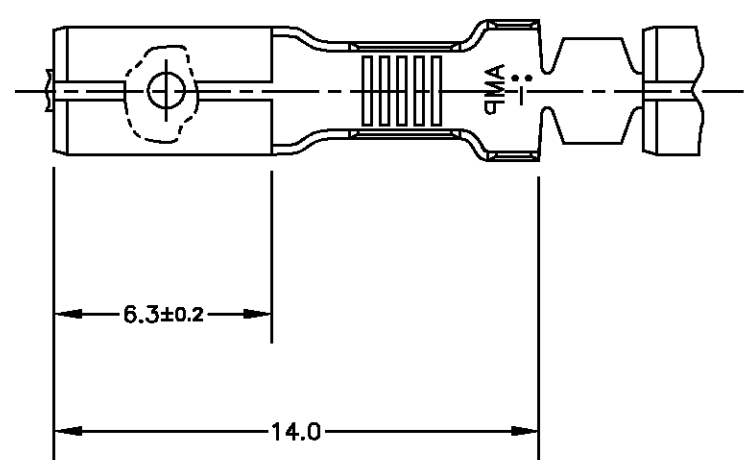
1

THIS DRAWING IS UNPUBLISHED. RELEASED FOR PUBLICATION .19
COPYRIGHT 19 BY AMP INCORPORATED. ALL RIGHTS RESERVED.

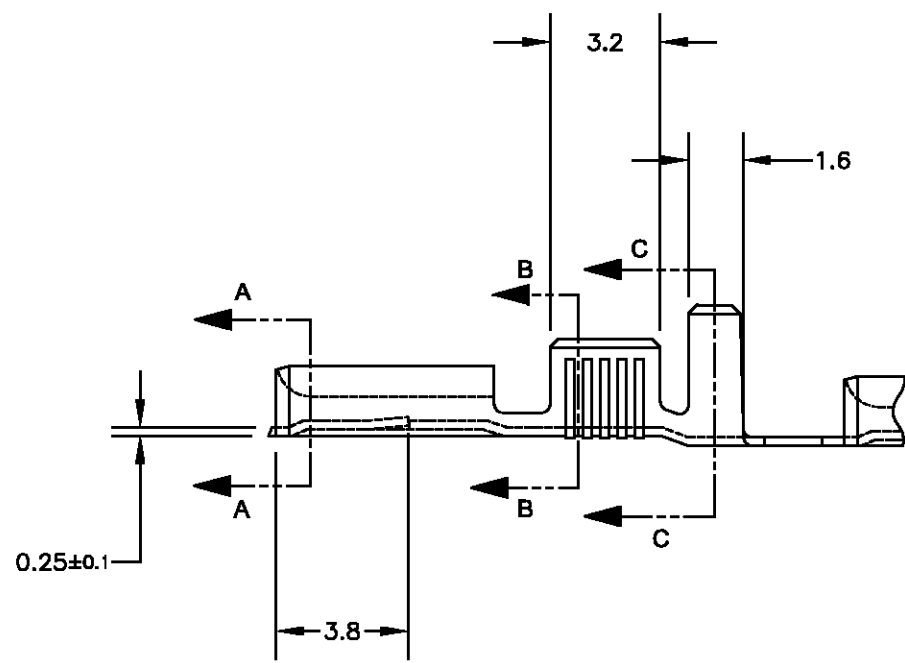
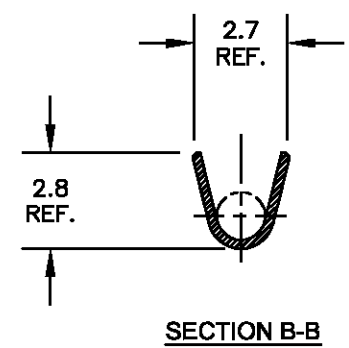
CAD
DO NOT REVISE EXCEPT BY CAD

LOC AP
DIST -

REVISIONS		DATE	DWN	APVD
REV	DESCRIPTION	DATA	DES	APR
R	REVISED BY ECLB080/02	06MAY02	AP	PLF
R1	REV PER ECO-09-026444	27NOV09	KK	AEG



1 OBSOLETE PARTS: OBSOLETE CIS STREAMLINING PER D.RENAUD/D.SINISI



INS. RANGE 2,03 - 3,04 mm	WIRE RANGE 0,5 - 1,5 mm ²	0.4	1-626061-1	---	LATÃO / BRASS	1-626042-1
		0.5	626061-5	PRATEADO / SILVER PLATED	LATÃO / BRASS	626042-5
THIS DRAWING IS A CONTROLLED DOCUMENT.	DWN/DES A.PERUSSI 06MAY2002 CHK/CH P.L.FARIA 06MAY2002 APVD/APR L.W.PRADO 06MAY2002	0.5	626061-4	ESTANHADO / TIN PLATED	BRONZE FOSF. / PHOSF. BRONZE	626042-4
		0.5	626061-3	---	BRONZE FOSF. / PHOSF. BRONZE	626042-3
		0.5	626061-2	ESTANHADO / TIN PLATED	LATÃO / BRASS	626042-2
		0.5	626061-1	---	LATÃO / BRASS	626042-1
DIMENSIONS: DIMENSÕES MM	TOLERANCES UNLESS OTHERWISE SPECIFIED: TOLERÂNCIA NCO ESPECIFICADAS	"A" LOOSE PIECE No.		FINISH	MATERIAL	PART NUMBER
MATERIAL SEE TABLE	FINISH ACABAMENTO SEE TABLE	AMP		AMP do Brasil Ltda. São Paulo, Brasil		
		.110 SERIES FASTON RECEPTACLE				
CUSTOMER DRAWING/DESENHO DE CLIENTE		SCALE ESCALA 5:1	SHEET FOLHA 1 OF 1	DRAWING NO DESENHO NO A3 00779	RESTRICTED TO -/-	
				DRAWING NO DESENHO NO C-626042	REV R1	