

IEC Appliance Inlet C20, Screw-on Mounting, Rear Side, PCB Terminal



C20



70° C



Description

- Panel Mount :
- Screw-on mounting , from rear-side
- Appliance Inlet , Pin temperature 70 °C , Protection class I
- For PCB mounting

Approvals

- UL File Number: E96454
- CSA File Number: 27324

Technical Data

Ratings IEC	16A / 250VAC; 50Hz
Ratings UL/CSA	20A / 250VAC; 60Hz
Dielectric Strength	> 3 kVAC between L-N > 1.5 kVAC between L/N-PE (1 min/50Hz)
Allowable Operation Temp.	-25 °C to 70 °C
IP-Protection	from front side IP 20 acc. to IEC 60529
Insulation cover	Suitable for appliances with protection class I acc. to IEC 61140
Terminal	For PCB mounting Solder terminal straight
Material: Housing	Thermoplastic, black, UL 94V-0

References

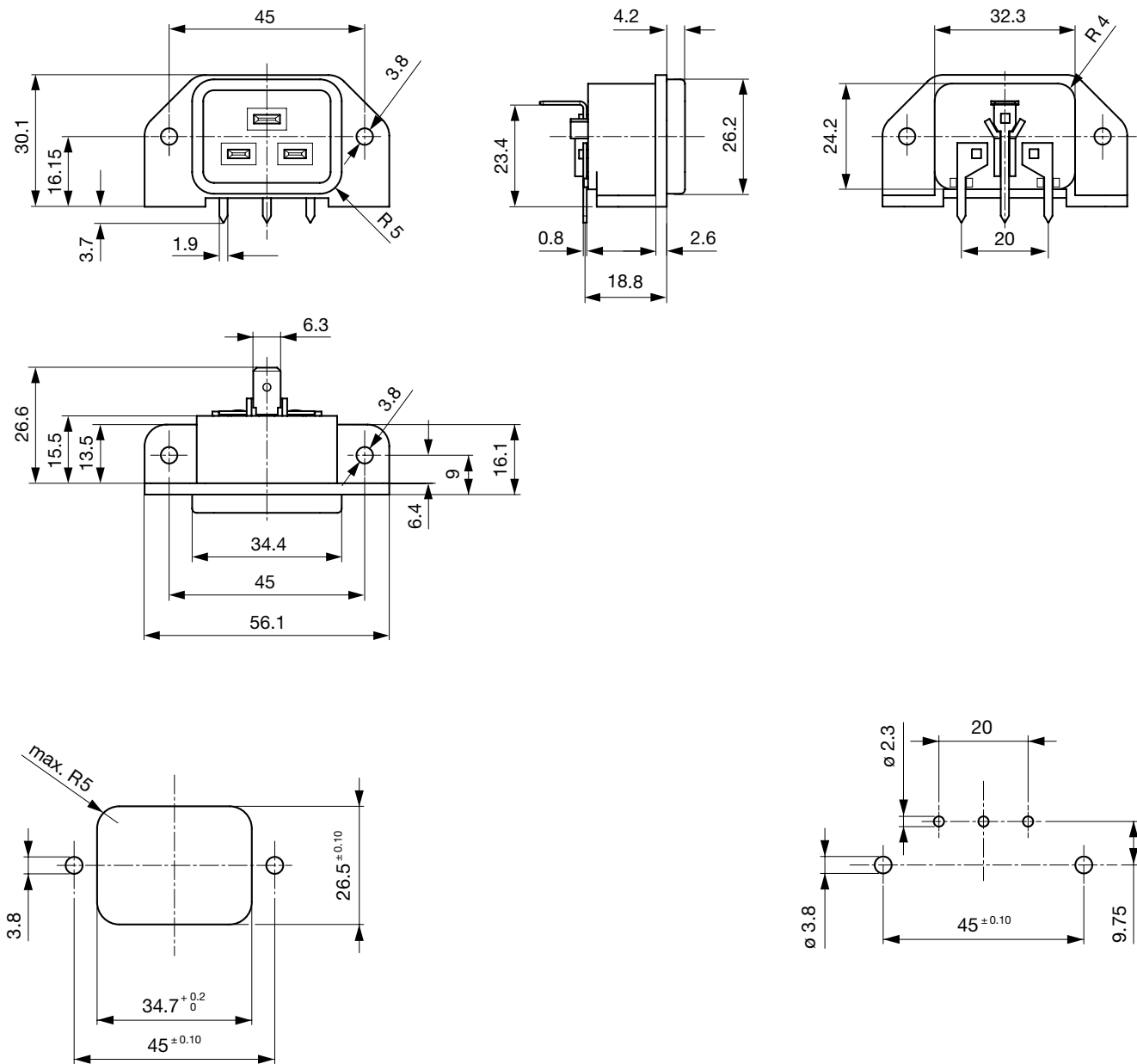
We recommend for new applications the type [GSP4](#)

Weblinks

[pdf datasheet](#), [html-datasheet](#), [General Product Information](#), [RoHS](#), [CHINA-RoHS](#), [REACH](#), [Distributor-Stock-Check](#), [Accessories](#), [Detailed request for product](#)

appliance inlet/-outlet	C20 acc. to IEC 60320-1 UL 60320-1, CSA C22.2 no. 60320-1 (for cold conditions) pin-temperature 70 °C, 16A, Protection Class I
-------------------------	--------------------------------------------------------------------------------------------------------------------------------------

Dimensions



Panel cut-out and Drilling diagram

Config. Code

1601 - H - A B C 0 - D - E I


The characters are placeholders for the correspondingly keys of selections from the key tables.

1601 - **H** - A B C 0 - D - E I = Type

Type	Configuration key
protection class I	X

Terminal L

Configuration key

PCB-terminal standard		4
-----------------------	---------------------------------------------------------------------------------------	---

1601 - H - A **B** C 0 - D - E I = Terminals

1601 - H - **A** B C 0 - D - E I = Terminals

Terminal N	Configuration key	Color	Configuration key
PCB-terminal standard	4	Black	A

Symbols similar as in table A

1601 - H - A B **C** 0 - D - E I = Terminals

1601 - H - A B C 0 - D - **E I** = Style

Terminal Ground	Configuration key	Style	Configuration key
PCB-terminal long (additional quick-connect terminal 6.3 x 0.8 mm)	6	flange with through holes	2

Symbols similar as in table A

1601 - H - A B C 0 - **D** - E I = Color

1601 - H - A B C 0 - D - E I = Additional Terminals

Additional Terminals	Configuration key
without additional terminal on L and N	0
additional quick connect terminal 6.3 x 0.8 mm on L and N	9

All Variants

Terminals L / N	Terminal Ground	Color	Additional Terminals	Config. Code	Order Number
PCB-terminal standard	PCB-terminal long (additional quick-connect terminal 6.3 x 0.8 mm)	Black	additional quick connect terminal 6.3 x 0.8 mm on L and N	1601-X-4460-A-29	6163.0018
PCB-terminal standard	PCB-terminal long (additional quick-connect terminal 6.3 x 0.8 mm)	Black	without additional terminal on L and N	1601-X-4460-A-20	6163.0019

The listed variants should be available from stock Other versions on request www.schurter.com/contact

Most Popular.

Availability for all products can be searched real-time: <http://www.schurter.com/Stock-Check/Stock-Check-SCHURTER>

Packaging unit 50 Pcs

Mating Outlets/Connectors

Category / Description



Connector Overview complete

IEC Connector C19, Rewireable, Straight	4795
IEC Connector C19, Rewireable, Angled	4790
IEC Connector C19, Rewireable, Straight	0104U

Connector further types to 1601



Power Supply Cord Overview complete

Cord Sets 16 A, Europlug, 2.5 m, Connector IEC C19, H05VV-F3G1.5, black	6004.0395
Cord Sets 16 A, Interconnection, 2.0 m, Connector IEC C19, H05VV-F3G1.5, black	6020.0394
Cord Sets 16 A, North America, 2.5 m, Connector IEC C19, SJT 3x14 AWG, black	6009.5195

Power Supply Cord further types to 1601

Mating Outlets/Connectors shuttered



Power Cord Overview complete

Overview Power Cord with IEC Appliance Connector C19, V-Lock, straight

VAC19KS

Power Cord further types to 1601