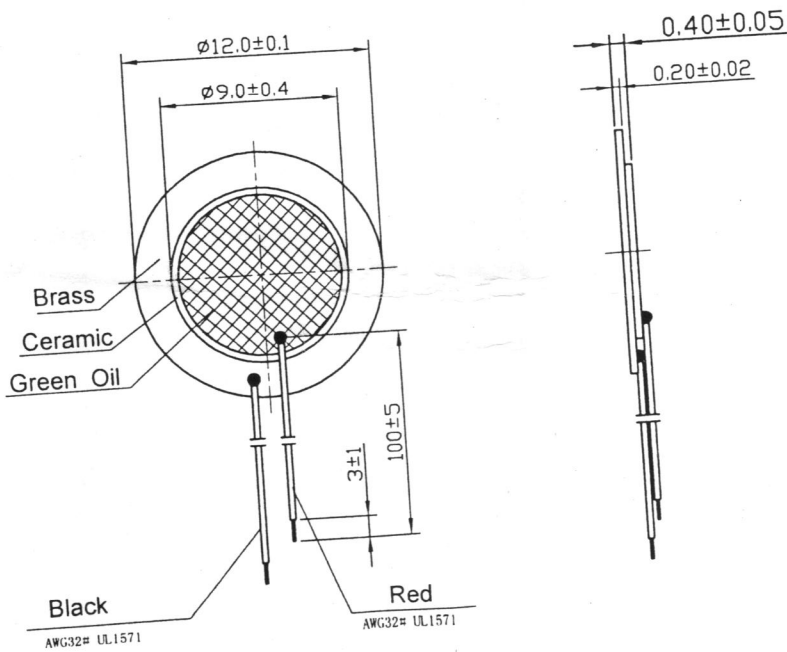


FT-12T-16.5A1-W100L PIEZOCERAMIC DISC

| Type | FT-12T-16.5A1-W100L | |
|------------------------|---------------------|-----------|
| Resonant Frequency | (KHz) | 16.5± 1.5 |
| Resonant Impedance | (Ω) | ≤ 1200 |
| Capacitance at 100Hz | (nF) | 5± 30% |
| Input Voltage | (Vp-p) | Max.30 |
| Operating Temperature | (°C) | -20~60 |
| Storage Temperature | (°C) | -20~70 |
| Pull test (vertical) | (N) | >2.5 |
| Pull test (horizontal) | (N) | >20 |



| | | | | |
|----------------------|--------|---------------------|------|-------------|
| WEILILAI EADC | | FT-12T-16.5A1-W100L | | 031101.05 |
| | | REVISIONS | | |
| Designed by | NAME | DATE | REV. | Description |
| Checked by | 2105 陈 | 2003.11.1 | A | 2003.11.01 |
| Approved by | 陈 | 03.11.1 | | |