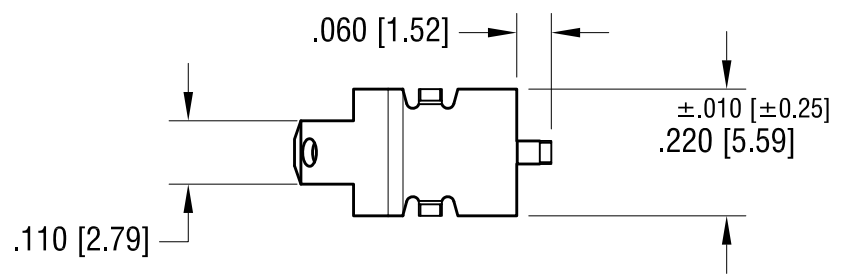
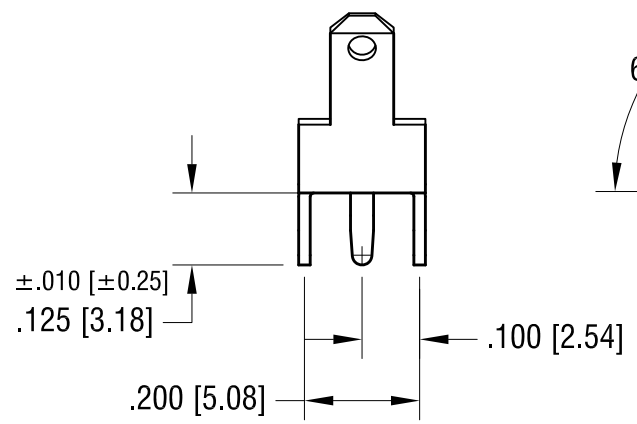
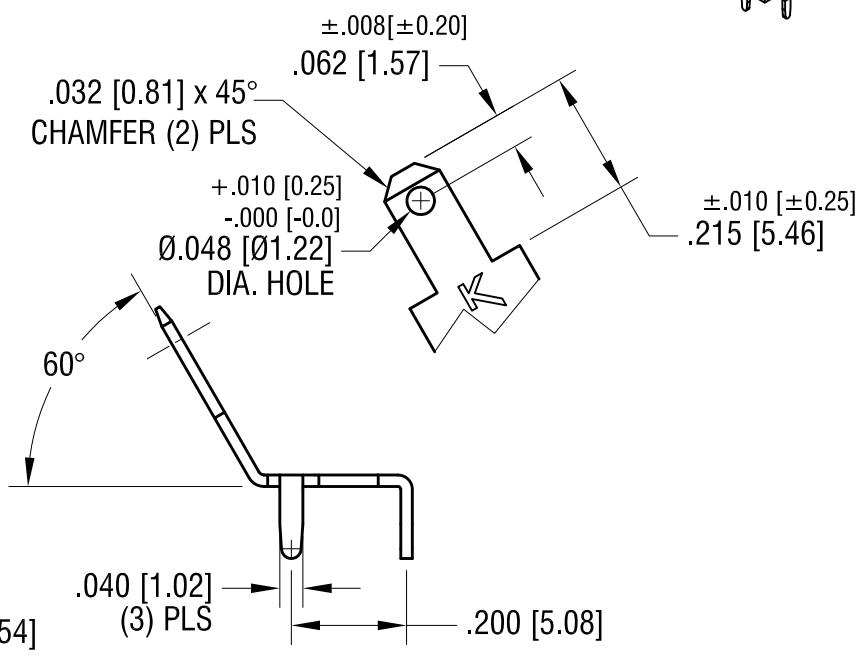
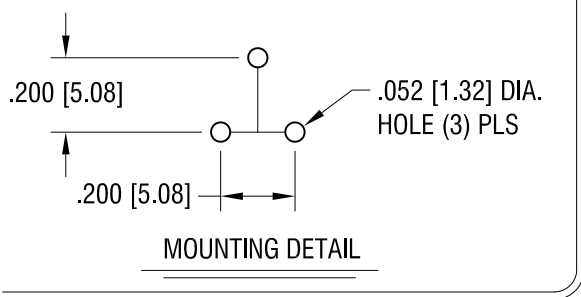
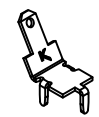


THIS DOCUMENT IS THE PROPERTY OF  
KEYSTONE ELECTRONICS CORP. AND  
SHALL NOT BE REPRODUCED, DISTRIBUTED  
OR USED AS A BASIS FOR MANUFACTURE  
WITHOUT PRIOR WRITTEN PERMISSION  
FROM KEYSTONE ELECTRONICS CORP.

**ACTUAL SIZE**



**KE** FILE NUMBER: E201546

<b>KEYSTONE ELECTRONICS CORP.</b>			
www.keyelco.com • NEW HYDE PARK NY 11040 • Tel (516)328-7500			
PART NAME <b>.110 [2.80] PC QUICK-FIT TERMINAL</b>			
MATERIAL <b>.020 [0.50] TH'K BRASS</b>			
FINISH <b>MATTE TIN PLATE</b>		DRN BY <b>NT</b>	DATE <b>7.17.13</b>
		APP'D <b>MR</b>	SCALE <b>3X</b>
TOLERANCES	INCH [MM]	CODE	DWG NO.
DECIMAL	<b>± .005 [± 0.13]</b>	<b>C</b>	<b>4917</b>
ANGULAR <b>± 1°</b>		UNLESS OTHERWISE SPECIFIED	

DATE	DESCRIPTION	REV.

# Mouser Electronics

Authorized Distributor

Click to View Pricing, Inventory, Delivery & Lifecycle Information:

[Keystone Electronics:](#)

[4917](#)