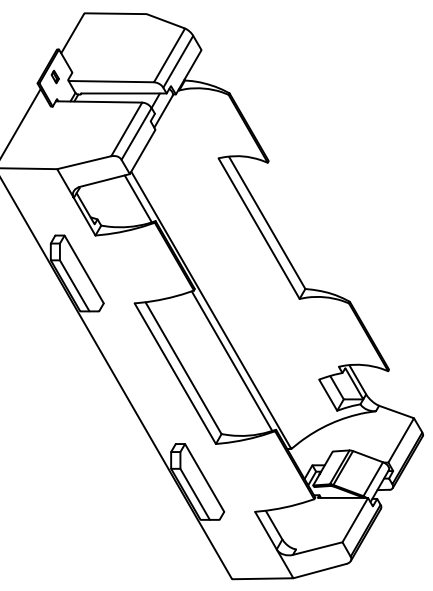
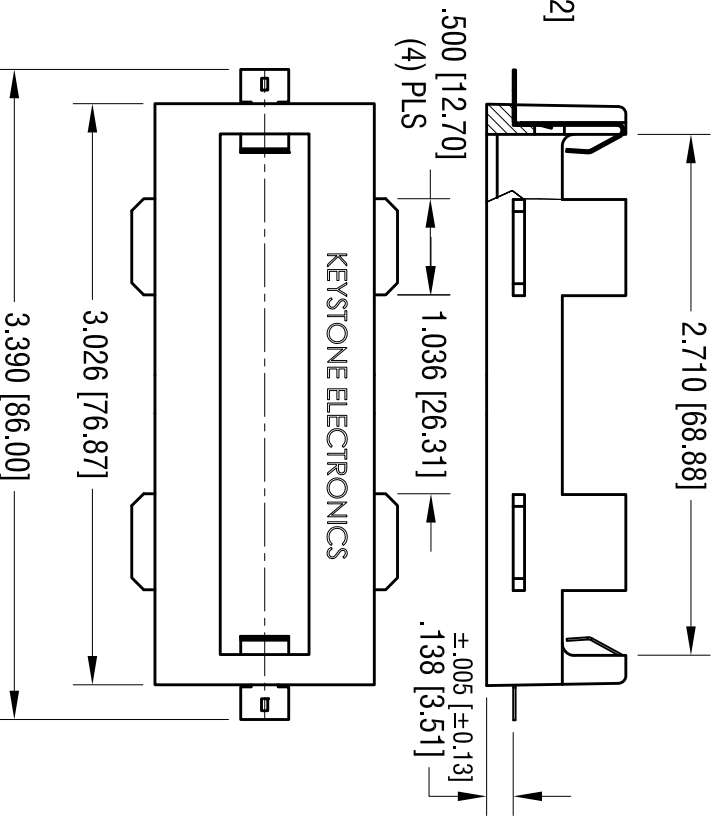
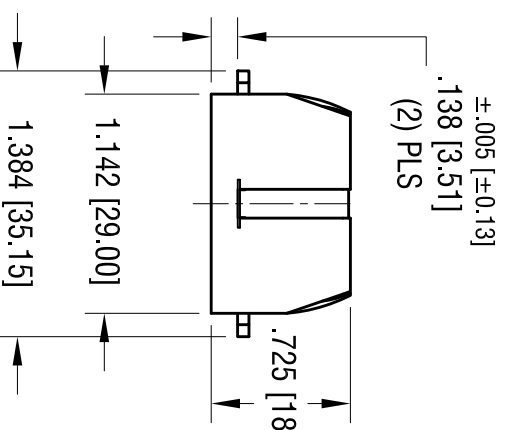
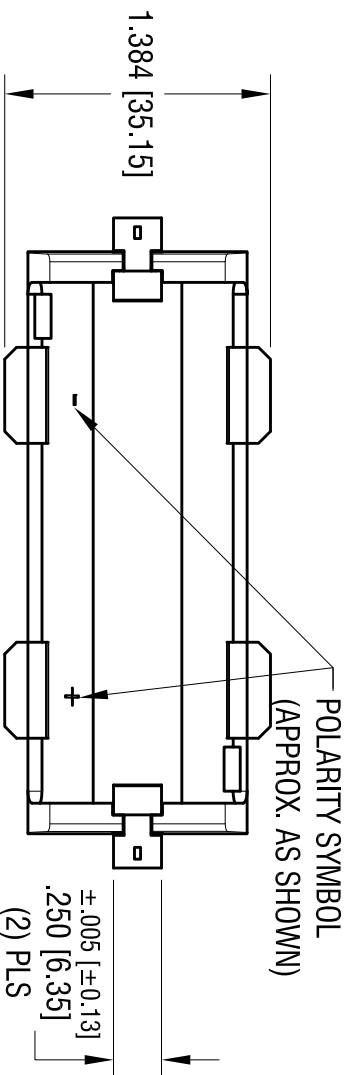


| DATE | DESCRIPTION | REV. |
|---------|--|------|
| 9.16.15 | CHANGE AS PER ECN 15-097 BASE MAT'L WAS PBT (BLACK) | A |



- NOTE:
1. BASE:
MAT'L: STANYL (BLACK COLOR)
 2. CONTACT:
MAT'L: .012 THK STAINLESS STEEL
FINISH: GOLD FLASH, OVER NICKEL PLATE

THIS DOCUMENT IS THE PROPERTY OF KEYSTONE ELECTRONICS CORP. AND SHALL NOT BE REPRODUCED, DISTRIBUTED OR USED AS A BASIS FOR MANUFACTURE WITHOUT PRIOR WRITTEN PERMISSION FROM KEYSTONE ELECTRONICS CORP.

| | | | |
|---|---------------------------|------------|----------------|
| KEYSTONE ELECTRONICS CORP. | | | |
| www.keystelco.com • ASTORIA, N.Y. 11105-2017 • Tel (718) 956-8900 | | | |
| PART NAME: PC BATTERY HOLDER, 26650 | | | |
| MATERIAL: AS NOTED | | | |
| FINISH: AS NOTED | | DRN BY: NT | DATE: 11.07.14 |
| TOLERANCES | INCH [MM] | CODE | DWG NO. |
| DECIMAL | $\pm .010$ [± 0.25] | C | 1106 |
| ANGULAR | $\pm 1^\circ$ | | |
| | | App'D: RH | SCALE: 1X |

Mouser Electronics

Authorized Distributor

Click to View Pricing, Inventory, Delivery & Lifecycle Information:

[Keystone Electronics:](#)

[1106](#)