



On when
it counts.



Application

- Main power indication
- Remote power indication
- Status indication
- Maintenance and warning indication
- Instrumentation

...and many more!

Certifications & Ratings

- RoHS compliant

Features & Benefits

- Low power consumption - uses up to 90% less energy than an incandescent indicator
- No heat generated
- Long life, lasting up to 100K hours
- Colors include red, green, orange, and blue
- Front panel mounting
- Housing matches emitted color

www.dialight.com | MDEL678CR_C

Mechanical Information:

Mounting hole size: Figure 1 - 0.335" (8.5mm)
Figure 2 & 3 - 0.323" (8.2mm)
Figure 4 & 5 - See on next page

Max panel thickness: See part numbers

Mounting torque: Figure 1 - 0.362 lbs/ft (5 kg/cm)
Figure 2 & 3 - 0.217 lbs/ft (3 kg/cm)

Electrical Specifications:

Operating voltage: 2 (red, orange) & 3.3 (green, blue) VDC
(current limiting resistor required on both voltages)
6, 12 & 24 VDC (no resistor required)

Operating temperature: -4°F to +167°F (-20°C to +75°C)

Storage temperature: -40°F to +212°F (-40°C to +100°C)

Electrical connection: Solder terminals and wire leads

Construction:

Housing: Protruding: Chrome plated brass;
Internal position; Polycarbonate

All values typical unless otherwise stated



Panel Mount Indicator Dimensions

Figure 1

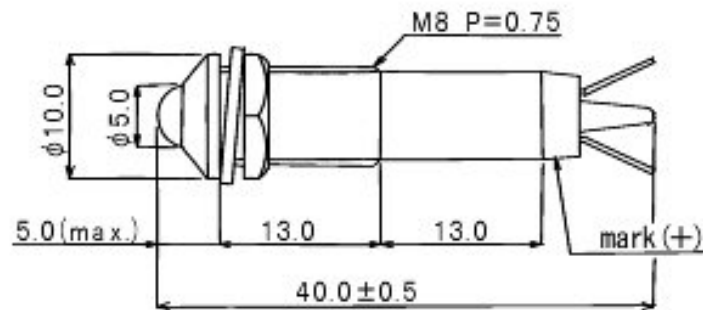


Figure 2

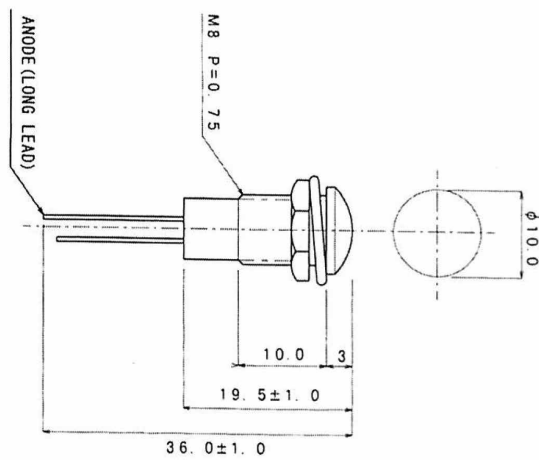


Figure 3

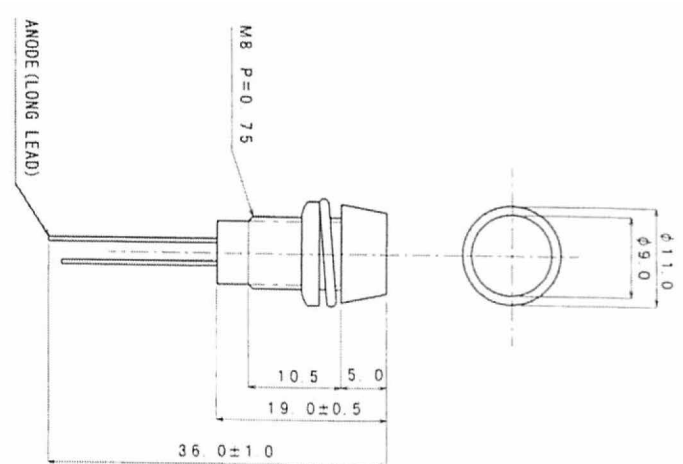


Figure 4

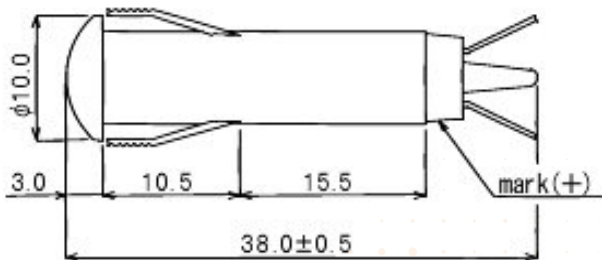
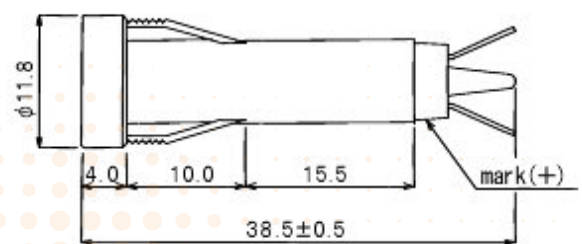
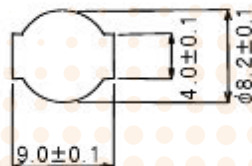


Figure 5



Dimensions are in mm



For both Figure 4 and 5

| Part Number | Color | Voltage (VDC) | Current (mA) | Typical Intensity (mcd) | Viewing Angle | LED Position | Figure | Panel Thickness |
|---------------|--------|---------------|--------------|-------------------------|---------------|--------------|--------|---------------------|
| 678-1112-321F | RED | 6 | 20 | 320 | 20 | PROTRUDING | 1 | 0.3158" (8.0 mm) |
| 678-1212-322F | GREEN | 6 | 20 | 2920 | 20 | PROTRUDING | 1 | |
| 678-1312-323F | ORANGE | 6 | 20 | 490 | 20 | PROTRUDING | 1 | |
| 678-1412-324F | BLUE | 6 | 20 | 220 | 20 | PROTRUDING | 1 | |
| 678-1112-331F | RED | 12 | 20 | 320 | 20 | PROTRUDING | 1 | |
| 678-1212-332F | GREEN | 12 | 20 | 2920 | 20 | PROTRUDING | 1 | |
| 678-1312-333F | ORANGE | 12 | 20 | 490 | 20 | PROTRUDING | 1 | |
| 678-1412-334F | BLUE | 12 | 20 | 220 | 20 | PROTRUDING | 1 | |
| 678-1112-341F | RED | 24 | 20 | 320 | 20 | PROTRUDING | 1 | |
| 678-1212-342F | GREEN | 24 | 20 | 2920 | 20 | PROTRUDING | 1 | |
| 678-1312-343F | ORANGE | 24 | 20 | 490 | 20 | PROTRUDING | 1 | |
| 678-1412-344F | BLUE | 24 | 20 | 220 | 20 | PROTRUDING | 1 | |
| 678-1131-111F | RED | 2 | 20 | 2210 | 4 | INTERNAL | 2 | 0.2165" (5.5 mm) |
| 678-1231-112F | GREEN | 3.3 | 20 | 46860 | 4 | INTERNAL | 2 | |
| 678-1331-113F | ORANGE | 2 | 20 | 2210 | 4 | INTERNAL | 2 | |
| 678-1431-114F | BLUE | 3.3 | 20 | 7100 | 4 | INTERNAL | 2 | |
| 678-3131-111F | RED | 2 | 20 | 3020 | 40 | INTERNAL | 3 | |
| 678-3231-112F | GREEN | 3.3 | 20 | 30600 | 20 | INTERNAL | 3 | |
| 678-3331-113F | ORANGE | 2 | 20 | 3260 | 20 | INTERNAL | 3 | |
| 678-3431-114F | BLUE | 3.3 | 20 | 4360 | 40 | INTERNAL | 3 | |
| 678-1132-221F | RED | 6 | 20 | 2210 | 5 | INTERNAL | 4 | 0.197" (5.0 mm) |
| 678-1232-222F | GREEN | 6 | 20 | 41430 | 6 | INTERNAL | 4 | |
| 678-1332-223F | ORANGE | 6 | 20 | 8535 | 10 | INTERNAL | 4 | |
| 678-1432-224F | BLUE | 6 | 20 | 5473 | 6 | INTERNAL | 4 | |
| 678-1132-231F | RED | 12 | 20 | 2210 | 5 | INTERNAL | 4 | |
| 678-1232-232F | GREEN | 12 | 20 | 41430 | 6 | INTERNAL | 4 | |
| 678-1332-233F | ORANGE | 12 | 20 | 8535 | 10 | INTERNAL | 4 | |
| 678-1432-234F | BLUE | 12 | 20 | 5473 | 6 | INTERNAL | 4 | |
| 678-1132-241F | RED | 24 | 20 | 2210 | 5 | INTERNAL | 4 | |
| 678-1232-242F | GREEN | 24 | 20 | 41430 | 6 | INTERNAL | 4 | |
| 678-1332-243F | ORANGE | 24 | 20 | 8535 | 10 | INTERNAL | 4 | |
| 678-1432-244F | BLUE | 24 | 20 | 5473 | 6 | INTERNAL | 4 | |
| 678-2132-221F | RED | 6 | 20 | 12700 | 5 | INTERNAL | 5 | |
| 678-2232-222F | GREEN | 6 | 20 | 16490 | 15 | INTERNAL | 5 | |
| 678-2332-223F | ORANGE | 6 | 20 | 5780 | 8 | INTERNAL | 5 | |
| 678-2432-224F | BLUE | 6 | 20 | 2514 | 20 | INTERNAL | 5 | |
| 678-2132-231F | RED | 12 | 20 | 12700 | 5 | INTERNAL | 5 | |
| 678-2232-232F | GREEN | 12 | 20 | 16490 | 15 | INTERNAL | 5 | |
| 678-2332-233F | ORANGE | 12 | 20 | 5780 | 8 | INTERNAL | 5 | |
| 678-2432-234F | BLUE | 12 | 20 | 2514 | 20 | INTERNAL | 5 | |
| 678-2132-241F | RED | 24 | 20 | 12700 | 5 | INTERNAL | 5 | |
| 678-2232-242F | GREEN | 24 | 20 | 16490 | 15 | INTERNAL | 5 | |
| 678-2332-243F | ORANGE | 24 | 20 | 5780 | 8 | INTERNAL | 5 | |
| 678-2432-244F | BLUE | 24 | 20 | 2514 | 20 | INTERNAL | 5 | |

*For wire leads replace the 7th digit with "5". For example 678-1115-321F

Dialight reserves the right to make changes at any time in order to supply the best product possible. The most current version of this document will always be available at: www.dialight.com/Assets/Brochures_And_Catalogs/Illumination/MDEL678CR.pdf

Warranty Statement: EXCEPT FOR THE WARRANTY EXPRESSLY PROVIDED FOR [HEREIN/ABOVE/BELOW], DIALIGHT DISCLAIMS ANY AND ALL OTHER WARRANTIES, EXPRESS OR IMPLIED, INCLUDING, WITHOUT LIMITATION, ANY WARRANTIES OF MERCHANTABILITY, FITNESS FOR A PARTICULAR PURPOSE, TITLE, AND NON-INFRINGEMENT.