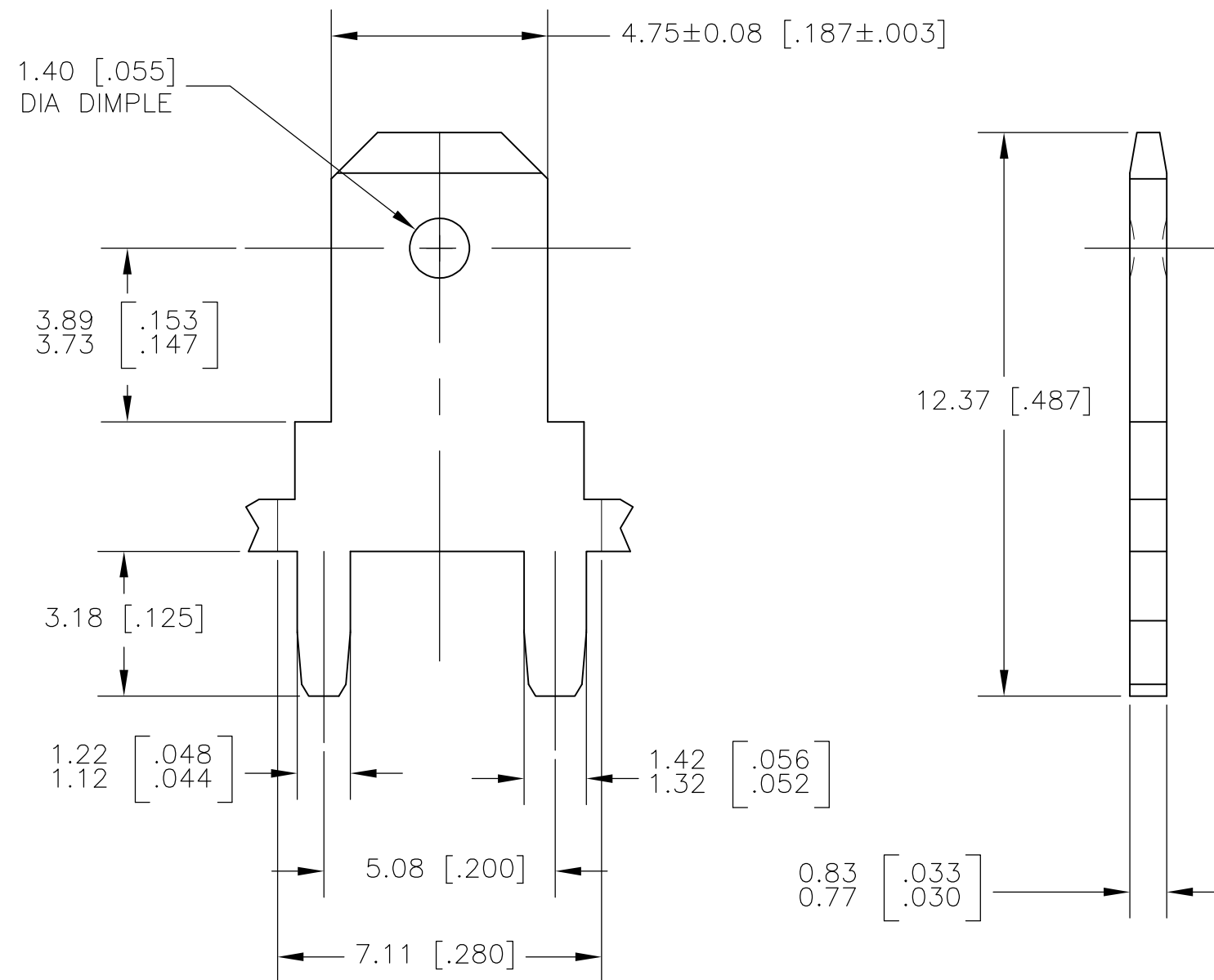
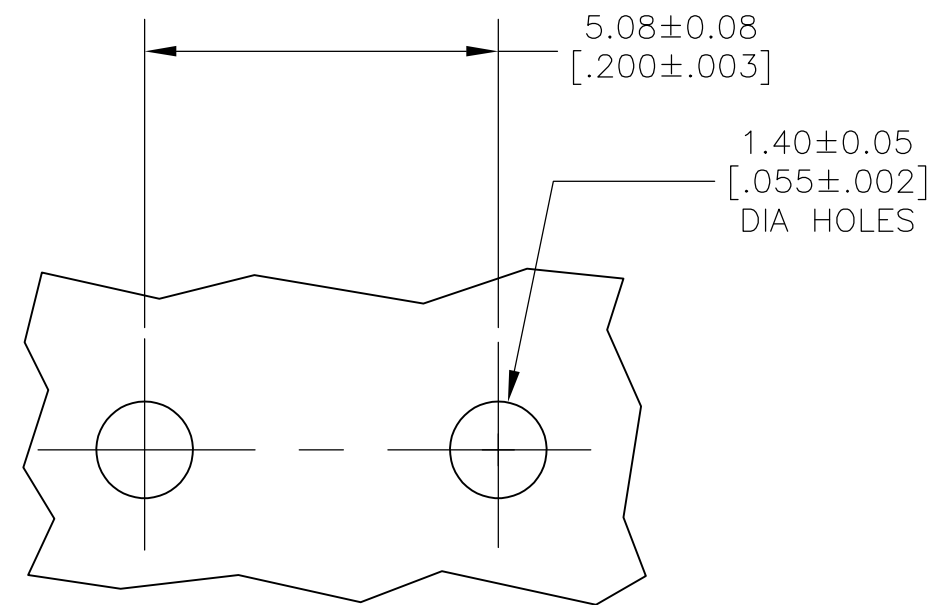


THIS DRAWING IS UNPUBLISHED. RELEASED FOR PUBLICATION
 © COPYRIGHT - By - ALL RIGHTS RESERVED.

LOC	DIST	REVISIONS				
P	LTR	DESCRIPTION	DATE	DWN	APVD	
AF	50	D1	REVISED PER ECO-11-004917	11MAR11	RK HMR	



1 CONTINUOUS STRIP ON REELS.
 △ 0.00381 [.000150] MIN TIN OVER
 0.00254 [.000100] MIN THK COPPER.



P.C. BOARD HOLES
 SCALE 10:1

63525-1
 PART NUMBER

THIS DRAWING IS A CONTROLLED DOCUMENT.		DWN	JR RUTH	30NOV00	 TE Connectivity	NAME		TAB, FASTON, PC BOARD, 4.75 [.187] SERIES						
DIMENSIONS: mm[INCHES]		CHK	MS FEHER	30NOV00		PRODUCT SPEC		RESTRICTED TO						
		APVD	G PORTA	30NOV00		APPLICATION SPEC		-						
TOLERANCES UNLESS OTHERWISE SPECIFIED: 0 PLC ± - 1 PLC ± - 2 PLC ± 0.25 [.010] 3 PLC ± - 4 PLC ± - ANGLES ± -		WEIGHT	-	-		SIZE	CAGE CODE	DRAWING NO	-					
MATERIAL 082 BRASS		FINISH TIN OVER COPPER		△ 2		A3	00779	C-63525	SCALE	8:1	SHEET	1 OF 1	REV	D1
CUSTOMER DRAWING														