

THIS DRAWING IS UNPUBLISHED.

RELEASED FOR PUBLICATION

ALL RIGHTS RESERVED.

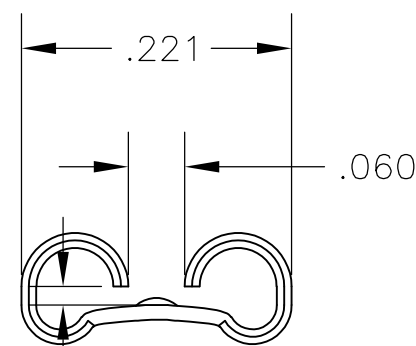
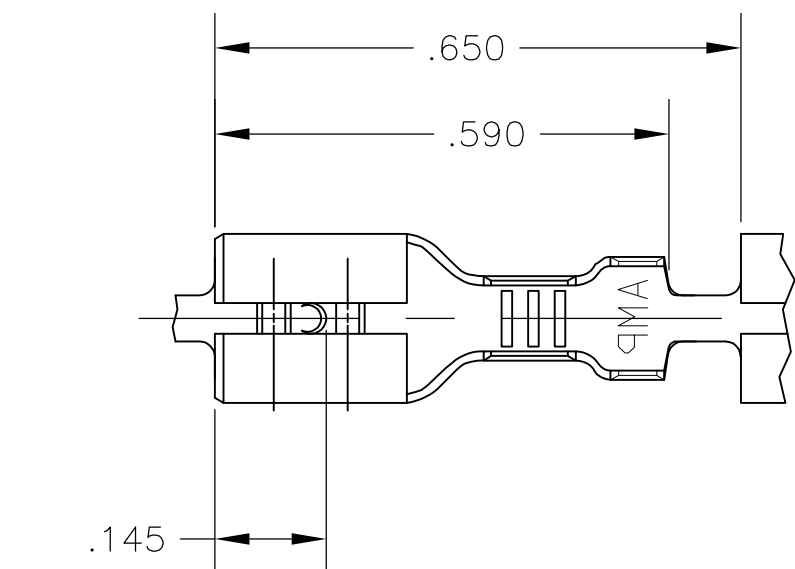
LOC
AF

DIST
50

REVISIONS

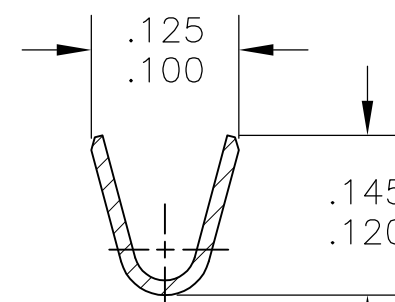
| P | LTR | DESCRIPTION | DATE | DWN | APVD |
|---|-----|---------------------------|---------|-----|------|
| | AF1 | REVISED PER ECO-11-004820 | 11MAR11 | RK | HMR |

1 - CONTINUOUS STRIP ON REELS.

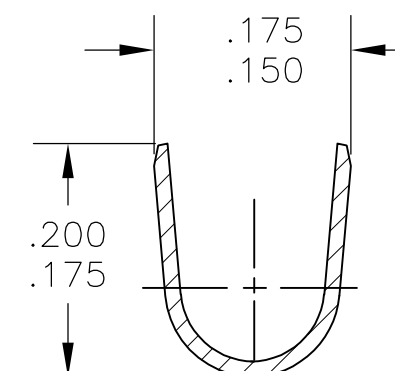


FITS .187 SERIES FASTON TAB

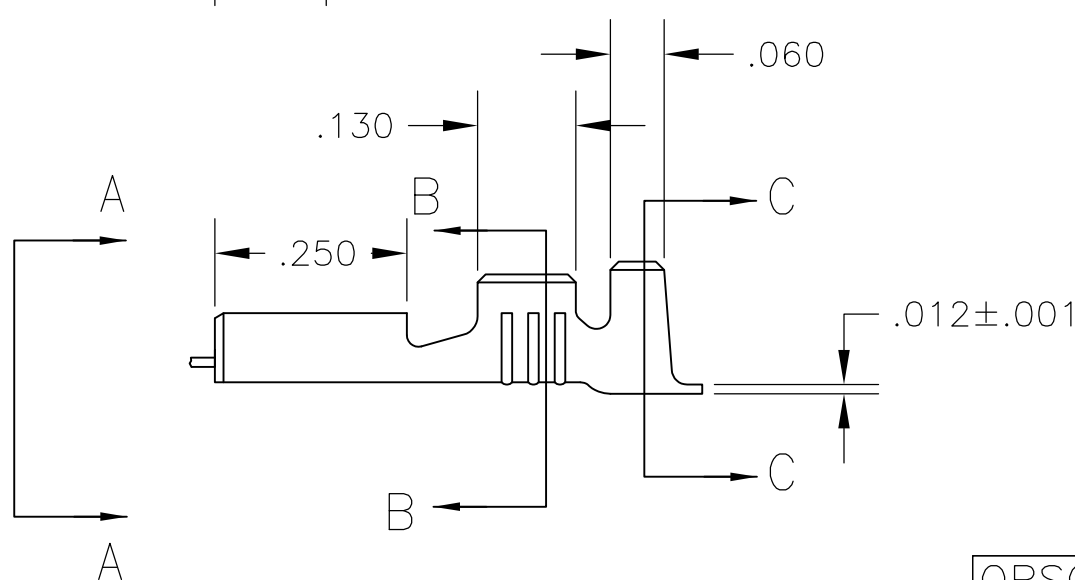
VIEW A-A




SECTION B-B



SECTION C-C



| | | | | | | |
|----------|--------|------------|------------------|-----------|-----------------|----------|
| | TIN | #4H PH BRZ | .090-.130 | 20-16 | .020 ±.001 | 42452-5 |
| OBSOLETE | SILVER | #4H PH BRZ | .090-.130 | 20-16 | .020 ±.001 | 42452-4 |
| OBSOLETE | SILVER | #4H BRASS | .090-.130 | 20-16 | .020 ±.001 | 42452-3 |
| | TIN | #4H BRASS | .090-.130 | 20-16 | .020 ±.001 | 42452-2 |
| | -- | #4H BRASS | .090-.130 | 20-16 | .020 ±.001 | 42452-1 |
| | FINISH | MATERIAL | INSULATION RANGE | WIRE SIZE | MATING TAB THK. | PART NO. |

| | | | | | | | |
|--|--|----------------------------|--|------------------|-----------|------------|---------------|
| THIS DRAWING IS A CONTROLLED DOCUMENT. | | DWN JR RUTH 10/3/86 |  TE Connectivity RECEPTACLE, FASTON, .187 SERIES | | | | |
| DIMENSIONS: INCHES | | CHK G YETTER 10/3/86 | | | | | |
| TOLERANCES UNLESS OTHERWISE SPECIFIED: | | APVD R KUZO 10/8/86 | | | | | |
| 0 PLC ± - 1 PLC ± - 2 PLC ± - 3 PLC ± .015 4 PLC ± - ANGLES ± - | | NAME | | | | | |
| MATERIAL SEE ABOVE | | FINISH SEE ABOVE | PRODUCT SPEC | SIZE | CAGE CODE | DRAWING NO | RESTRICTED TO |
| | | | APPLICATION SPEC | A3 | 00779 | C-42452 | |
| | | | WEIGHT | CUSTOMER DRAWING | | SCALE | SHEET |
| | | | | | | NTS | 1 OF 1 |
| | | | | | | REV | AF1 |