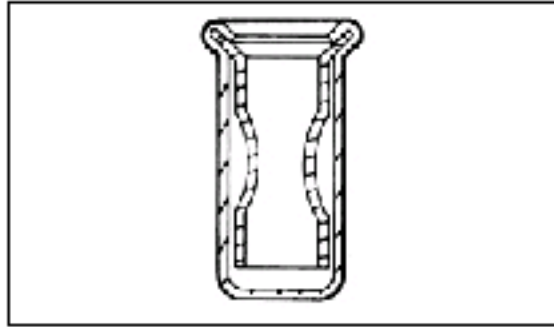


5645518-1 Product Details

[Share](#) | [Print](#) | [Email](#)


5645518-1

TE Internal Number: 5645518-1

Active

[View 3D PDF](#)

Discrete Sockets

[Always EU RoHS/ELV Compliant \(Statement of Compliance\)](#)

Product Highlights:

- Mating Pin Dia. Range = .96 - 1.07 mm
- Socket Length = 5.23 mm
- Sleeve Style = Closed Bottom
- Tin Sleeve Material Plating
- Gold Flash Contact Spring Plating

[View all Features](#)

Quick Links

- ▶ [Check Pricing & Availability](#)
- ▶ [Search for Tooling](#)
- ▶ [Product Feature Selector](#)
- ▶ [Contact Us About This Product](#)

[Add to My Part List](#) | [Request Sample](#) | [Find Similar Products](#) | [Buy Product](#)

Documentation & Additional Information

Product Drawings:

- [MINIATURE SPRING SOCKET ASSY SERIES 4](#) (PDF, English)

Catalog Pages/Data Sheets:

- None Available

Product Specifications:

- None Available

Application Specifications:

- None Available

Instruction Sheets:

- None Available

CAD Files: ([CAD Format & Compression Information](#))

- [2D Drawing](#) (DXF, Version 01)
- [3D Model](#) (IGES, Version 01)
- [3D Model](#) (STEP, Version 01)

Additional Information:

- [Product Line Information](#)

Related Products:

- [Tooling](#)

[List all Documents](#)

Product Features (Please use the Product Drawing for all design activity)

Product Type Features:

- [Socket Length \(mm \[in\]\)](#) = 5.23 [0.206]
- [Sleeve Style](#) = Closed Bottom
- [Sealant](#) = Without
- Sleeve Material = Copper
- Recommended Hole Size (mm [in]) = 1.91 [0.075]

Body Features:

- [Mating Pin Dia. Range \(mm \[in\]\)](#) = 0.96 - 1.07 [0.038 - 0.042]
- [Sleeve Material Plating](#) = Tin
- Spring Material = Beryllium Copper

Contact Features:

- [Contact Spring Plating](#) = Gold Flash
- [Contact Base Material](#) = Beryllium Copper

Configuration Features:

- [Insertion Method](#) = Hand/Semi-Automatic/Automatic

Industry Standards:

- Government/Industry Qualification = No
- [RoHS/ELV Compliance](#) = RoHS compliant, ELV compliant
- [Lead Free Solder Processes](#) = Wave solder capable to 240°C, Wave solder capable to 260°C, Wave solder capable to 265°C, Reflow solder capable to 245°C, Reflow solder capable to 260°C, Pin-in-Paste capable to 245°C, Pin-in-Paste capable to 260°C
- RoHS/ELV Compliance History = Always was RoHS compliant

Operation/Application:

- Application = Production

Packaging Features:

- Packaging Method = Reel
- Packaging Quantity = 50,000/Reel

Other:

- Brand = AMP

Corporate Information

[About TE](#)
[Investors](#)
[News Room](#)
[Supplier Portal](#)
[Careers](#)

Quick Links

[Check Distributor Inventory](#)
[Cross Reference Products](#)
[Find Documents & Drawings](#)
[Product Compliance Support Center](#)
[Site Map](#)

Customer Support

[Email or Chat With Us](#)
[Find a Phone Number](#)
[Search Knowledge Base](#)
[Manage Your Account](#)

Keep Me Informed

Receive TE News, Events & Technology Updates

Enter your email address

