

**PLEASE CHECK WWW.MOLEX.COM FOR LATEST PART INFORMATION**

**Part Number:** **5600850101**  
**Status:** **Active**  
**Overview:** DuraClik™ Connector System  
**Description:** DuraClik™ Crimp Terminal, Female, 22-26 AWG, Reel

**Documents:**

Drawing (PDF) Packaging Specification PK-560085-001 (PDF)  
Product Specification PS-502351-001-001 (PDF) RoHS Certificate of Compliance (PDF)  
Application Specification AS-560085-001-JP-001 (PDF)

**General**

Product Family Crimp Terminals  
Series 560085  
Application Power, Signal  
Crimp Quality Equipment Yes  
Overview DuraClik™ Connector System  
Product Name DuraClik™  
UPC 887191151892

**Physical**

Gender Female  
Material - Metal Phosphor Bronze  
Material - Plating Mating Tin  
Material - Plating Termination Tin  
Net Weight 48.880/mg  
Packaging Type Reel  
Termination Interface: Style Crimp or Compression  
Wire Insulation Diameter 1.40mm  
Wire Size AWG 22, 24, 26  
Wire Size mm<sup>2</sup> 0.34

**Electrical**

Voltage - Maximum 125V

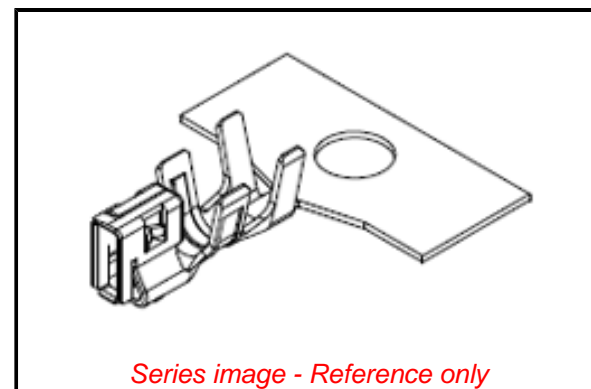
**Solder Process Data**

Lead-freeProcess Capability N/A

**Material Info**

**Reference - Drawing Numbers**

Application Specification AS-560085-001-JP-001  
Packaging Specification PK-560085-001  
Product Specification PS-502351-001-001  
Sales Drawing SD-560085-001



*Series image - Reference only*

**EU ELV**

**Compliant**

**EU RoHS**

**Compliant**

**REACH SVHC**

Not Contained Per -  
ED/21/2016 (20 June  
2016)

**Halogen-Free**

**Status**

**Low-Halogen**

**Need more information on product environmental compliance?**

Email [productcompliance@molex.com](mailto:productcompliance@molex.com)  
Please visit the [Contact Us](#) section for any non-product compliance questions.

China ROHS	Green Image
ELV	Compliant
RoHS Phthalates	Not Contained

**Search Parts in this Series**

560085 Series

**Use With**

502351 DuraClik™ Wire-to-Board  
Receptacle Housing