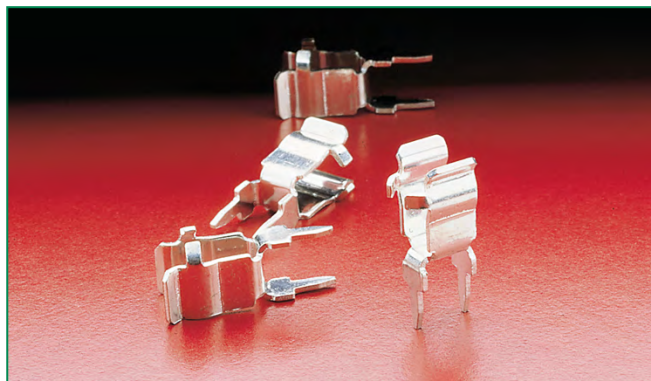




100/445/030/520 Series Circuit Board Mount Fuse Clips for 5mm Diameter Fuses RoHS



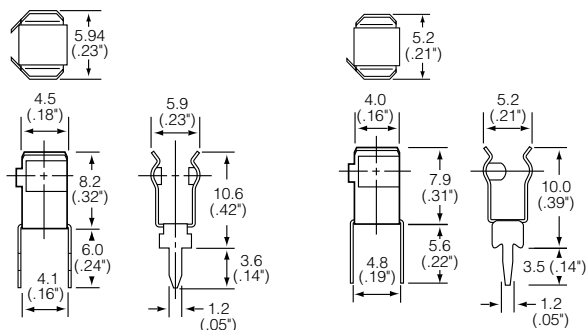
Product Characteristics

	100 054/056 series	100 020 series	445/030/520 series
Compatible Fuse Size	5mm Diameter Fuses 213, 215, 216, 217, 218, 219XA, 232, 233, 234, 235, 239, 477 and 977 Series		
Current Level	10 Amp max	20 Amp max	10 Amp max

Agency Approval

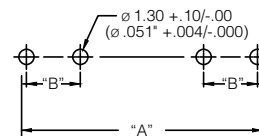
Agency	Agency File Number			
	100 054/056 series	445/030 series	100 020 series	520 series
	N/A		N/A	E14721
	N/A		E14721	

Product Dimensions



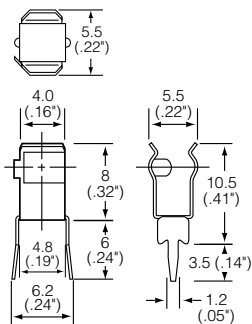
0100 0020 / 0100 0054 / 0100 0056

0445 0001 / 0030 0210



Recommended Mounting Dimensions

Fuse Size	A Dim.	B Dim.
5mm×20 mm	20.5 (.807")	4.60±.05(.181" ±.002)
5mm×25 mm	25.5 (1.004")	5.20±.05(.205" ±.002)
5mm×30 mm	31.0 (1.220")	5.80±.05(.228" ±.002)



0520 0001

Ordering Information

Ordering PN*	Catalog No.	Clip Material	Plating	Style	Packaging Available
0100 0054	100 054	Spring Brass	Silver-plated	Ear	Z
0100 0056	100 056	Spring Brass	Tin-plated	Ear	Z
0100 0020	100 020	Phosphor Bronze	Tin-plated	Ear	Z
0445 0001	445 001	Spring Brass	Tin-plated	Ear	M or N
0030 0210	030 210	Spring Brass	Nickel-plated	Ear	M or N
0520 0001	520 001	Spring Brass	Silver-plated	Ear	M or N

Add Suffix to the Ordering PN for Packaging

"M" = std. package 1000 pcs per pack

"N" = std. package 5000 pcs per pack

"Z" = for bulk package

Additional Information



**Datasheet
100 Series**



**Resources
100 Series**



**Samples
100 Series**



**Datasheet
445 Series**



**Resources
445 Series**



**Samples
445 Series**



**Datasheet
030 Series**



**Resources
030 Series**



**Samples
030 Series**



**Datasheet
520 Series**



**Resources
520 Series**



**Samples
520 Series**