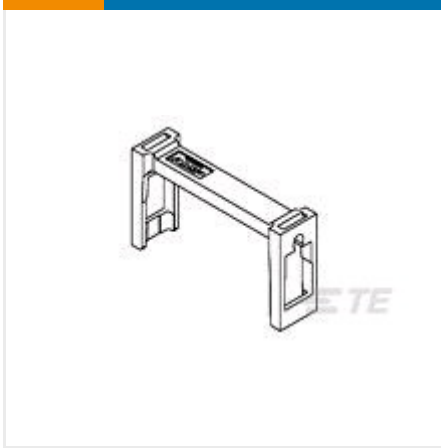




CONNECTORS

RIBBON CONNECTOR ACCESSORIES



✓ Active

TE CONNECTIVITY (TE)

50P.A/L. STRAIN REL.

AMP-LATCH | AMP-LATCH - NOVO

5-100103-0

TE Internal Number: 5-100103-0

EU RoHS Compliant

EU ELV Compliant

Accessory Type Strain Relief

Number of Positions 50

↓ **PRODUCT DRAWING**
English

↓ **3D PDF**

DOCUMENTATION

Product Drawings

AMP-LATCH MIL-TYPE RECEIPT

PDF

English

CAD Files

3D PDF

PDF

English

Customer View Model

3D_IGS.ZIP

English

Customer View Model

3D_STP.ZIP

English

Customer View Model

2D_DXF.ZIP

English

FEATURES



Please review product documents or [contact us](#) for the latest agency approval information.

Please Note: Use the Product Drawing for all design activity.

Product Type Features

Accessory Type Strain Relief

Product Type Accessory

Accessory Color Gray

Configuration Features

Number of Positions 50

Body Features

Color Gray

Body Material Glass-Filled Nylon

Dimensions

Length (mm) 68.1

Operation/Application

For Use With Receptacle Connector

Packaging Features

Packaging Quantity 250

Packaging Method Bag/Box

PRODUCT COMPLIANCE



Statement of Compliance

Statement of Compliance

PDF