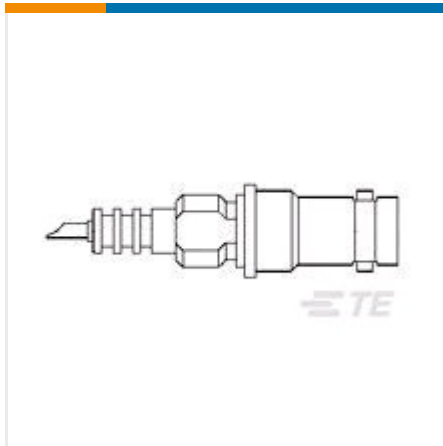




[CONNECTORS](#)

[RF CONNECTORS](#)



✓ Active

TE CONNECTIVITY (TE)

## SAFE HIGH VOLTAGE BLKHD RECEPT

Standard Coax | SH6

5051494-1

TE Internal Number: 5051494-1

[EU RoHS Compliant with Exemptions](#)

[EU ELV Compliant with Exemptions](#)

**Connector Interface** SHV

**Connector Style** Jack

**Connector & Contact Terminates To** Wire & Cable

**Connector Mounting Type** Panel

**Termination Method to Wire & Cable** Solder

[↓ PRODUCT DRAWING](#)  
English

[↓ 3D PDF](#)

### DOCUMENTATION

Product Drawings

#### SHV SOLDER JACK

PDF (TIFF AVAILABLE)

English

CAD Files

#### Customer View Model

3D\_IGS.ZIP

English

#### Customer View Model

3D\_STP.ZIP

English

## Customer View Model

2D\_DXF.ZIP

English

## 3D PDF

PDF

English

## FEATURES



Please review product documents or [contact us](#) for the latest agency approval information.

Please Note: Use the Product Drawing for all design activity.

### Product Type Features

**Connector Interface** SHV

**Connector Style** Jack

**Connector & Contact Terminates To** Wire & Cable

### Body Features

**Body Plating Material** Silver

### Contact Features

**Center Contact Plating Material** Gold

### Termination Features

**Termination Method to Wire & Cable** Solder

### Mechanical Attachment

**Panel Mount Retention Type** Lockwasher and Nut

**Connector Mounting Type** Panel

### Dimensions

**Recommended Panel Thickness** 4.75 – 4.75 mm [ .187 – .187 in ]

### Other

**Dielectric Material** PTFE

## PRODUCT COMPLIANCE



Statement of Compliance

**Statement of Compliance**

PDF

