

PLEASE CHECK WWW.MOLEX.COM FOR LATEST PART INFORMATION

Part Number: [5050720101](#)
Status: **Active**
Overview: [TermiMate One-Circuit Terminal-Style Connector System](#)
Description: [TermiMate PCB Receptacle Terminal, 1.20mm Mated Height](#)

Documents:

[3D Model](#) [Application Specification AS-505071-001-001 \(PDF\)](#)
[Drawing \(PDF\)](#) [RoHS Certificate of Compliance \(PDF\)](#)
[Product Specification PS-505071-001-001 \(PDF\)](#)

General

Product Family	PCB Receptacles
Series	505072
Application	Board-to-Board
Application Tooling Part Link	63824-5810
Overview	TermiMate One-Circuit Terminal-Style Connector System
Product Name	TermiMate
UPC	887191571027

Physical

Circuits (Loaded)	1
Circuits (maximum)	1
Durability (mating cycles max)	10
Glow-Wire Capable	No
Guide to Mating Part	No
Keying to Mating Part	None
Lock to Mating Part	Yes
Mated Height	1.20mm
Material - Metal	Copper Alloy
Material - Plating Mating	Tin over Nickel
Net Weight	83.000/mg
Number of Rows	1
Orientation	Right Angle
PCB Locator	No
PCB Retention	None
Packaging Type	Embossed Tape on Reel
Pitch - Mating Interface	N/A
Plating min - Mating	0.406µm
Polarized to Mating Part	Yes
Polarized to PCB	No
Surface Mount Compatible (SMC)	Yes
Temperature Range - Operating	-55° to +105°C
Termination Interface: Style	Surface Mount

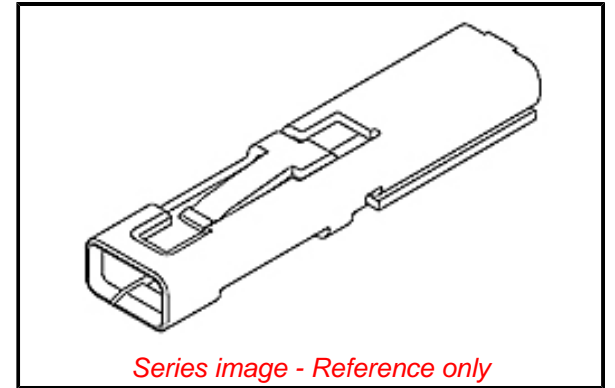
Electrical

Current - Maximum per Contact	3.0A
Voltage - Maximum	125V AC (RMS)/DC

Material Info

Reference - Drawing Numbers

Application Specification	AS-505071-001-001
Product Specification	PS-505071-001-001
Sales Drawing	SD-505072-001, SD-505072-002



EU ELV

Not Relevant

EU RoHS

Compliant

REACH SVHC

Not Contained Per -
ED/61/2018 (27 June
2018)

Halogen-Free

Status

Low-Halogen

For more information, please visit [Contact US](#)

China ROHS

ELV

RoHS Phthalates

China RoHS

Green Image

Not Relevant

Not Contained

Search Parts in this Series

[505072 Series](#)

Mates With

[TermiMate PCB Plug Terminal 505071-0101](#)

Application Tooling | FAQ

Tooling specifications and manuals are found by selecting the products below. Crimp Height Specifications are then contained in the Application Tooling Specification document.

Global

Description

Product #

Unlatching Tool for TermiMate 505071 Plug Terminal for removal of TermiMate 505072 PCB Receptacle Terminal	638245810
--	---------------------------

This document was generated on 01/16/2019

PLEASE CHECK WWW.MOLEX.COM FOR LATEST PART INFORMATION