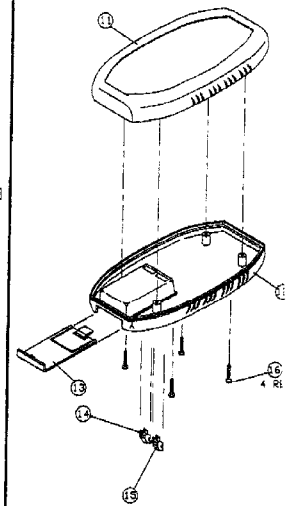
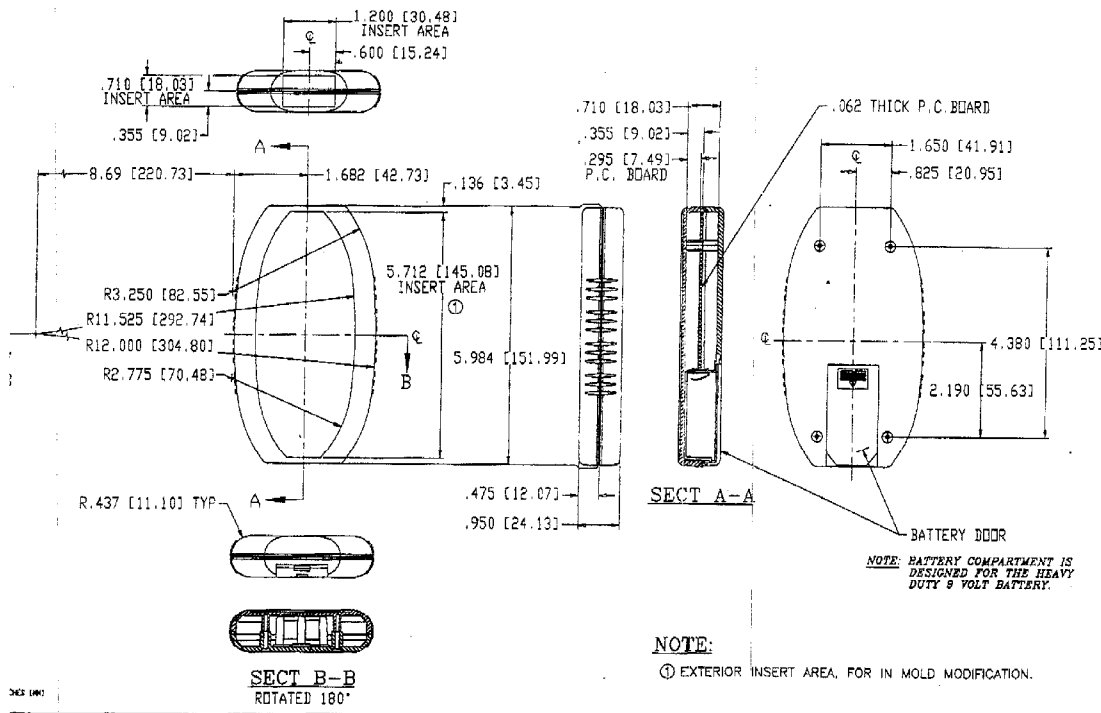


RS 311-8794



**MODEL NUMBER GENERATION**

K = KIT  
 P = PRODUCTION

MODEL: HR-9VB

COLOR/MATERIAL CODE: 000

EMI-RFI COATING: 2 = NICKEL, 3 = COPPER

EXAMPLE: P-HR-9VB-000S

**COLOR / MAT'L CODE**

COLOR	94HB	94V0
BLACK	000	028
*GREY	001	024
*TAN	002	025
P.C.BONE	039	08C

16	60228-02	SCREW #2X.89L.G.	4	4
15	74702-01	BATTERY CLIP, 9V	1	1
14	67257-01	BATTERY CLIP	1	1
13	73155-01-XXX	BATTERY DOOR	1	1
12	73522-01-XXX	BOTTOM COVER	1	1
11	73521-01-XXX	TOP COVER	1	1
ITEM	PART NUMBER	DESCRIPTION	PROD	KIT
			HPLR-9VB	

**PACITEC**  
 HR-9VB  
 1-800-220-9801