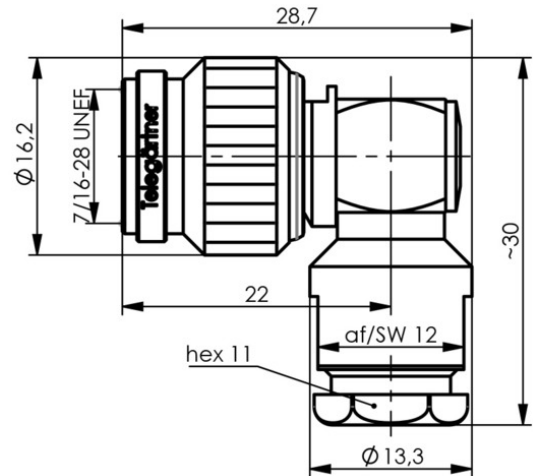


order number: J01010A0072

TNC Angle Plug G1 (RG-58C/U), G5, IP67, MIL-clamp



Technical Attributes	
Z	50 $\Omega$
Cable group; cable	G1 (RG-58C/U); G5 7806A RG-223/U 9907 RG-400/U CNT-195 HPF 195 KX 15 LMR-195 RG-58C/U WCX195
Remarks	MIL-clamp
Assembly	A23

### Description of the Series/Product Category

Notice: The following information refer to the series/product category as a whole. Please see the specific datasheet for specific technical information of a particular product.

The TNC series is a commonly used coax connector. The same size as BNC connectors, but with a threaded coupling mechanism, this connector can be used up to 11 GHz. Both 50  $\Omega$  and 75  $\Omega$  impedances are

available. Connector styles are available for flexible, conformable and semi-rigid cable types. Versions of the TNC connector are available for mounting to printed circuit boards using both through-hole soldered and through-hole press-fit technique...

Mating face sealing for TNC connectors between plug and jack (mated) according to IP 68. The classifications are general statements for the relevant series. Individual connectors may deviate from the values shown. If in doubt, please consult our engineers.

Mechanical Characteristics	
Recommended coupling torque	0.46 - 0.69 Nm
Durability (Steckungen)	≥ 500
Material: spring contacts	CuBe2; CuNi1Pb1(C97)
Material: outer conductor	CuZn39Pb3
Material: other metal parts	CuZn39Pb3
Material: insulators	PTFE/PE
Material: gaskets	Silicone
Finish: Inner conductor	Cu1Ni2Au0.8
Finish: Outer conductor	Cu2Ni5
Finish: Other metal parts	Cu2Ni5

Climatic Characteristics	
Types with PTFE insulator	40/155/21
Types with PE insulator	40/75/21

Electrical Characteristics	
Contact resistance inner conductor	≤ 10 mΩ
Contact resistance outer conductor	≤ 2.5 mΩ
Insulation resistance	≥ 5 GΩ
Voltage proof	1.5 kV <sub>eff</sub> /50 Hz
Impedance	50 Ω/(75 Ω)
Return loss: Straight style (valid for 50 Ω only)	≥ 16.5 dB/11 GHz
Working voltage	≤ 500 V <sub>eff</sub> /50 Hz
Frequency range up to	11 GHz

Standards
-----------

IEC 60 169-17
---------------

### Note

Combination connectors and cable clamps can be utilised to create a further number of TNC connector variations.