

The Amphenol MMCX series is the next generation of micro-miniature connectors. Offering a reliable broadband performance from DC to 6 GHz. These 50 ohm connectors incorporate the industry-approved MMCX interface, assuring reliable snap-on/quick-disconnect mating and proven electrical performance. It's low-profile PCB receptacles make this series ideal for high-volume cellular, GPS and wireless base station applications.

**Electrical Specifications**

Impedance	50 ohm
Frequency range	0-6 GHz
Working voltage	170 VRMS max. at sea level
Dielectric withstanding voltage	500 VRMS min. at sea level
VSWR	Straight 1.3 max. Right angle 1.5 max.
Contact Resistance	Center contact 5 milliohms max. Outer conductor 2.5 milliohms max.
Insulator resistance	1000 Megohms min.

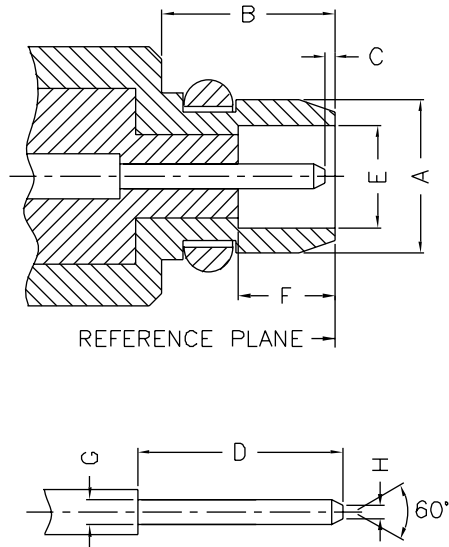
**Material Specifications**

Parts Name	Material	Finish
Body, Metal parts	Brass per QQ-B-626	Nickel or gold per requirement
Center	Male	Brass per QQ-B-626
Contacts	Female	Beryllium copper, per QQ-C-530
Insulators	PTFE	Gold plated
Crimp ferrules	Annealed copper	None
		Nickel or gold per requirement

**Mechanical Specifications**

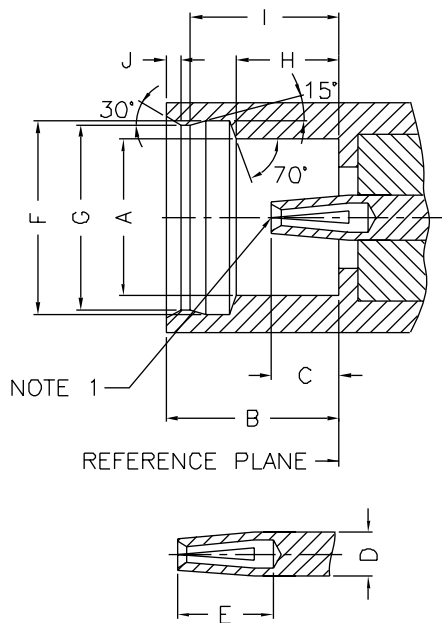
Engagement force	3.4 lbs max.
Disengagement force	1.4 lbs - 4.4 lbs
Contact retention	2.3 lbs. Min.
Durability (matings)	500 cycles min.

Interface mating dimensions



Plug

Letter	Millimeters [Inches]	
	Minimum	Maximum
A	-	2.40 [.095]
B	2.70 [.106]	-
C	0.00	0.25 [.010]
D	-	3.15 [.124]
E	1.58 [.062]	1.62 [.064]
F	1.45 [.057]	-
G	0.38 [.150]	0.42 [.017]
H	-	0.20 [.008]



Jack

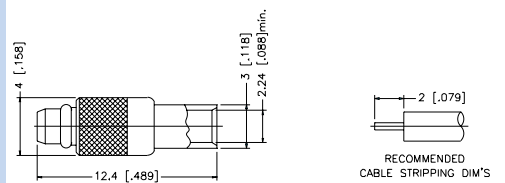
Letter	Millimeters [Inches]	
	Minimum	Maximum
A	2.40 [.095]	-
B	2.60 [.102]	-
C	0.90 [.035]	1.20 [.047]
D	0.68 [.027]	0.72 [.028]
E	1.40 [.055]	-
F	3.00 [.118]	3.04 [.120]
G	2.87 [.113]	2.90 [.114]
H	1.57 [.062]	1.63 [.064]
I	2.30 [.091]	2.34 [.092]
J	-	0.23 [.009]

All connector bodies, unless otherwise noted, are machined brass, 3μ" gold-plated.  
 All insulators are Teflon.  
 All center contacts are 30μ" gold plated.  
 All dimensions are in millimeters and [inches].

Direct Solder Attachment for Semi-Rigid .047" and .085" Cable

Straight Solder Plug - Semi-Rigid Cable

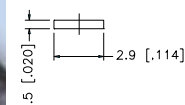
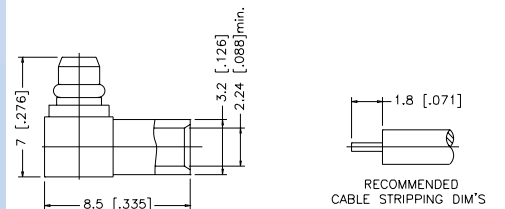
P.N.	Cable Group	Plt.	Ins.	Imp.	Crimp Tool
MMCX1181A1-3GT30G-11-50	11	Gold	Teflon	50	N/A
MMCX1181A1-3GT30G-13-50	13	Gold	Teflon	50	N/A



Assembly Instruction C - page 225  
 Assembly Instruction E - page 227

Right Angle Solder Plug - Semi-Rigid Cable

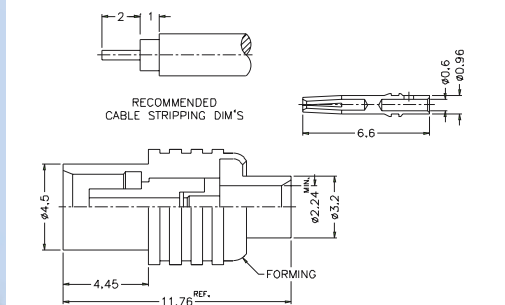
P.N.	Cable Group	Plt.	Ins.	Imp.	Crimp Tool
MMCX1182A1-3GT30G-11-50	11	Gold	Teflon	50	N/A
MMCX1182A1-3GT30G-13-50	13	Gold	Teflon	50	N/A



Assembly Instruction F - page 228

Straight Solder Jack - Semi-Rigid Cable

P.N.	Cable Group	Plt.	Ins.	Imp.	Crimp Tool
MMCX6181A1-3GT30G-11-50	11	Gold	Teflon	50	N/A
MMCX6181A1-3GT30G-13-50	13	Gold	Teflon	50	N/A

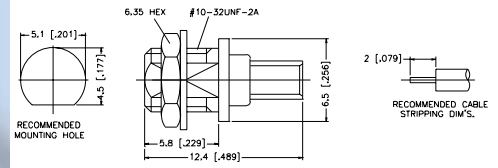


Assembly Instruction C - page 225  
 Assembly Instruction E - page 227

## Direct Solder Attachment for Semi-Rigid .047" and .085" Cable

### Straight Solder Bulkhead Jack - Semi-Rigid Cable

P.N.	Cable Group	Plt.	Ins.	Imp.	Cable Tool
MMCX6481A1-3GT30G-11-50	11	Gold	Teflon	50	N/A
MMCX6481A1-3GT30G-13-50	13	Gold	Teflon	50	N/A

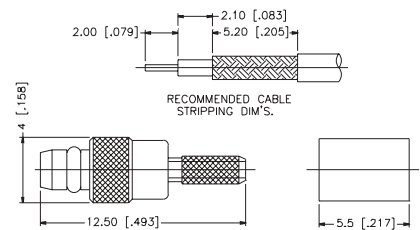


Assembly Instruction C - page 225  
Assembly Instruction E - page 227

## Crimp Attachment for Flexible Cable

### Straight Crimp Plug - Miniature Cable

P.N.	Cable Group	Plt.	Ins.	Imp.	Crimp Tool
MMCX1121A1-3GT30G-5-50	05	Gold	Teflon	50	1
MMCX1121A1-3GT30G-5A-50	5A	Gold	Teflon	50	2
MMCX1121A1-3GT30G-14-50	14	Gold	Teflon	50	1

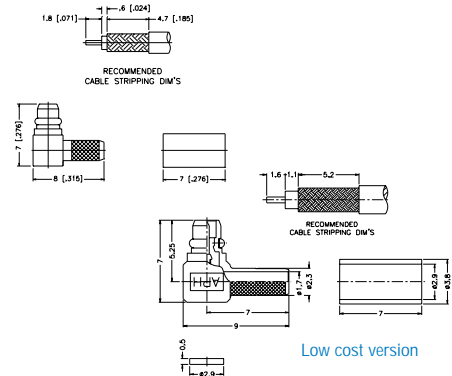


Assembly Instruction J - page 232

### Right Angle Crimp Plug - Miniature Cable

P.N.	Cable Group	Plt.	Ins.	Imp.	Crimp Tool
MMCX1121A1-3GT30G-5-50	05	Gold	Teflon	50	1
MMCX1121A1-3GT30G-5A-50	5A	Gold	Teflon	50	2
MMCX1121A1-3GT30G-14-50	14	Gold	Teflon	50	1
MMCX112D2-3GT30G-5-50	5	Gold	Teflon	50	1
MMCX112D2-3GT30G-14-50	14	Gold	Teflon	50	1

Low cost version, diecast

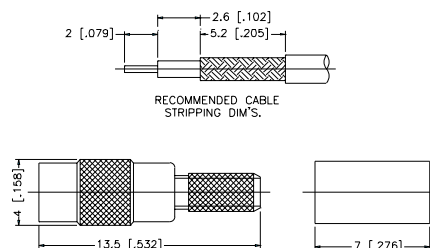


Assembly Instruction I - page 231

## Crimp Attachment for Flexible Cable

### Straight Crimp Jack - Miniature Cable

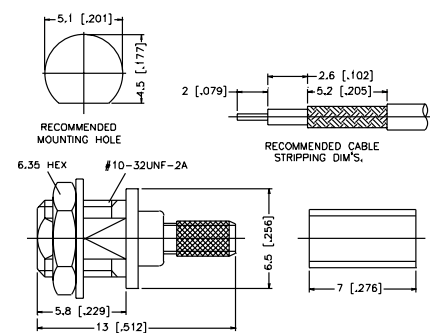
P.N.	Cable Group	Plt.	Ins.	Imp.	Crimp Tool
MMCX6121A1-3GT30G-5-50	05	Gold	Teflon	50	1
MMCX6121A1-3GT30G-5A-50	5A	Gold	Teflon	50	2
MMCX6121A1-3GT30G-14-50	14	Gold	Teflon	50	1



Assembly Instruction J - page 232

### Bulkhead Crimp Jack - Miniature Cable

P.N.	Cable Group	Plt.	Ins.	Imp.	Crimp Tool
MMCX6421A1-3GT30G-5-50	05	Gold	Teflon	50	1
MMCX6421A1-3GT30G-5A-50	5A	Gold	Teflon	50	2
MMCX6421A1-3GT30G-14-50	14	Gold	Teflon	50	1

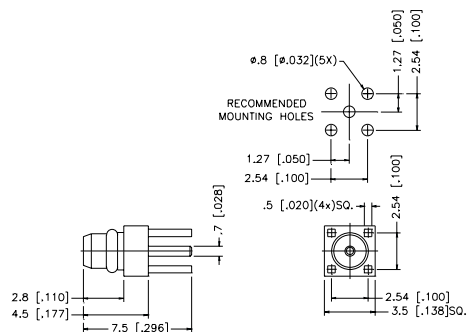


Assembly Instruction J - page 232

## Printed circuit Board Connectors

### Straight Plug for P.C. Board

P.N.	Cable Group	Plt.	Ins.	Imp.	Crimp Tool
MMCX1251N1-3GT30G-50	N/A	Gold	Teflon	50	N/A
MMCX1251N1-002-3GT30G-50 surface mount	N/A	Gold	Teflon	50	N/A

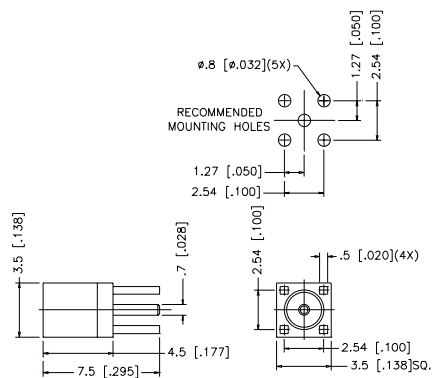


# Printed circuit Board Connectors

## Straight Jack for P.C. Board

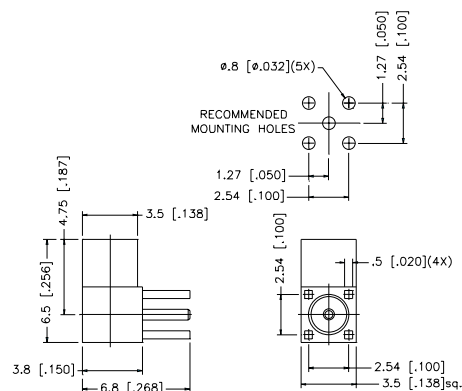
P.N.	Cable Group	Plt.	Ins.	Imp.	Cable Tool
MMCX6251N1-3GT30G-50	N/A	Gold	Teflon	50	N/A
MMCX6251N2-3GT30G-50	N/A	Gold	Teflon	50	N/A

surface mount



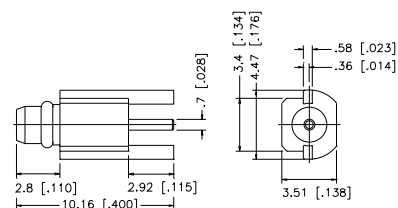
## Right Angle Jack for P.C. Board

P.N.	Cable Group	Plt.	Ins.	Imp.	Crimp Tool
MMCX6252N1-3GT30G-50	N/A	Gold	Teflon	50	N/A



## Edge Card or Vertical Mount Plug for P.C. Board

P.N.	Cable Group	Plt.	Ins.	Imp.	Crimp Tool
MMCX1251S1-3GT30G-50	N/A	Gold	Teflon	50	N/A



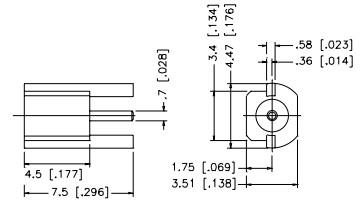
# Printed circuit Board Connectors

## Edge Card or Vertical Mount Jack for P.C. Board

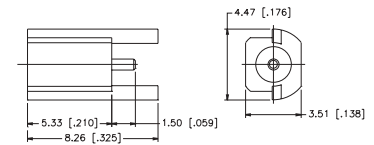
P.N.	Cable Group	Plt.	Ins.	Imp.	Crimp Tool
MMCX6251S1-3GT30G-50	N/A	Gold	Teflon	50	N/A
MMCX6251S1-001-3GT30G-50 Offset PC Legs	N/A	Gold	Teflon	50	N/A



MMCX6251S1-3GT30G-50

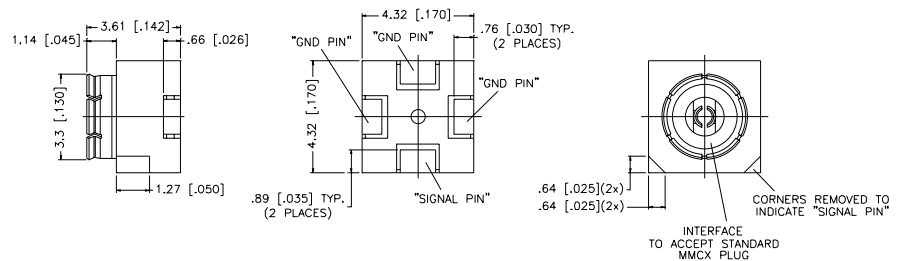
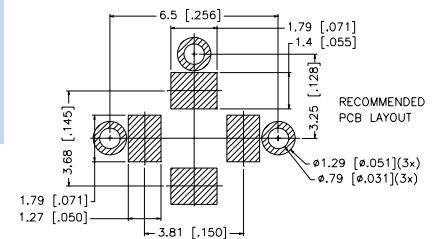


MMCX6251S1-001-3GT30G-50



## Surface Mount Jack Receptacle

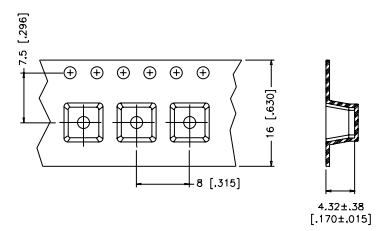
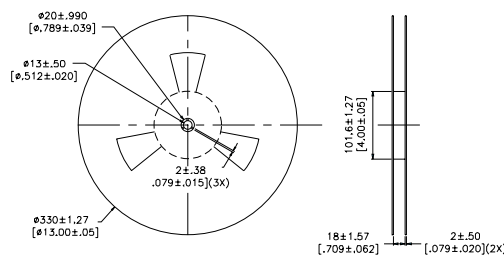
P.N.	Cable Group	Plt.	Ins.	Imp.	Crimp Tool
OS-908-22101	N/A	Gold	LPC	50	N/A



# Printed Circuit Board Connectors

## Surface Mount Jack Receptacle - Tape and Reel

P.N.	Cable Group	Plt.	Ins.	Imp.	Crimp Tool
OS-908-22101T 1500 per reel	N/A	Gold	LPC	50	N/A



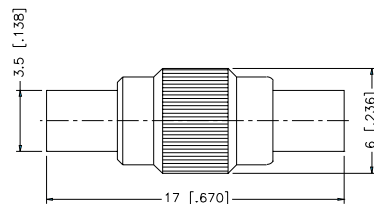
NOTE:  
BLISTER TAPE PACKAGED UNIFORMLY FOR VERTICAL MOUNTING AND SUPPLIED IN ACCORDANCE WITH IEC 286-3/EIA-481



## In-Series Adapters

### Jack-to-Jack Adapter

P.N.	Cable Group	Plt.	Ins.	Imp.	Crimp Tool
MMCX7071A1-3GT30G-50	N/A	Gold	Teflon	50	N/A



### Jack-to-Jack Bulkhead Adapter

P.N.	Cable Group	Plt.	Ins.	Imp.	Crimp Tool
MMCX7471A1-3GT30G-50	N/A	Gold	Teflon	50	N/A

