

# Customer Information Sheet

DRAWING No.: M80-530XXXX

SHEET 2 OF 2

IF IN DOUBT - ASK

©

NOT TO SCALE

THIRD ANGLE PROJECTION

ALL DIMENSIONS IN mm

**SPECIFICATIONS:**

**MATERIAL:**  
 MOULDING = GLASS-FILLED PPS,  
 UL94V-0, BLACK  
 CONTACT = PHOSPHOR BRONZE  
 JACKSCREW = STAINLESS STEEL  
**FINISH:**  
 05 = 0.25 - 0.3µ 100% GOLD  
 22 = 0.75µ GOLD ON CONTACT AREA,  
 3µ 90/10 TIN/LEAD ON TAILS  
 42 = 0.75µ GOLD ON CONTACT AREA,  
 3µ 100% TIN OVER NICKEL  
 ON TAILS

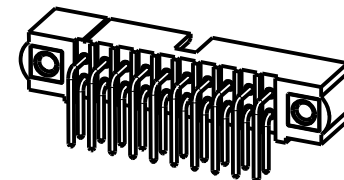
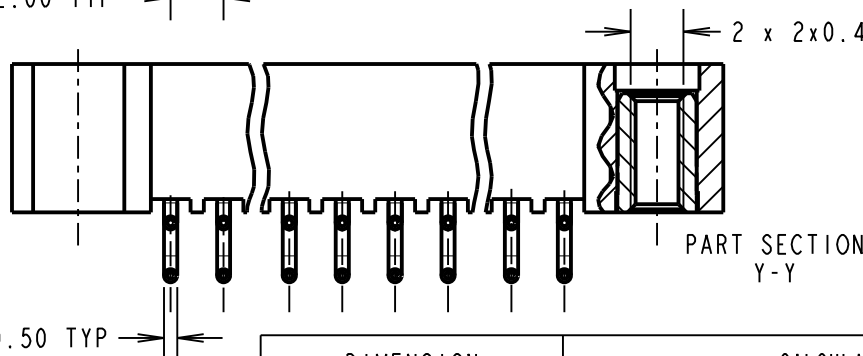
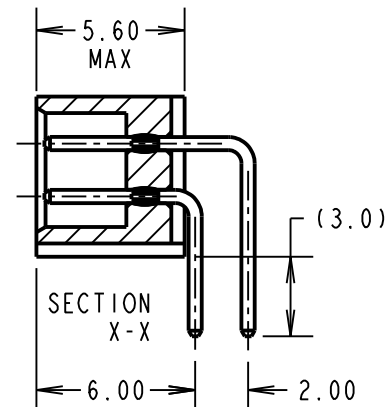
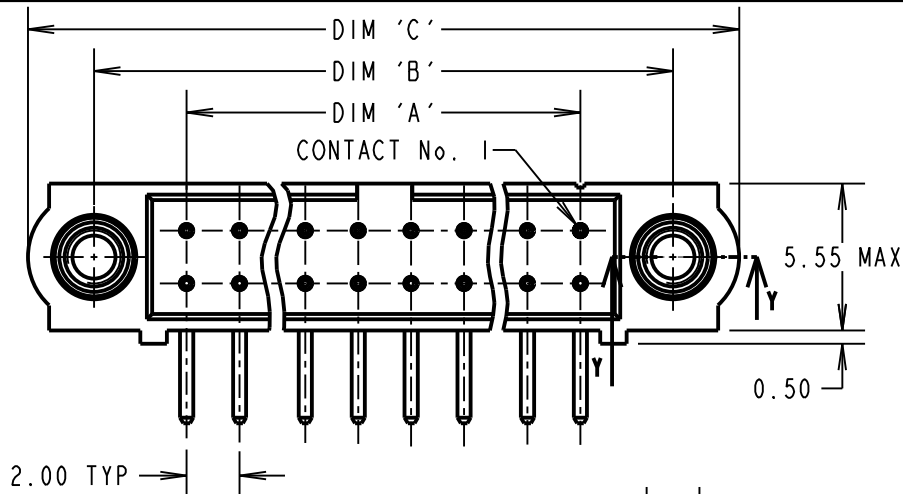
**ELECTRICAL:**  
 CURRENT RATING AT 25°C = 3.0A MAX  
 CURRENT RATING AT 85°C = 2.2A MAX  
 WORKING VOLTAGE = 800V AC/DC  
 VOLTAGE PROOF = 1200V AC/DC  
 CONTACT RESISTANCE = 25 mΩ MAX  
 INSULATION RESISTANCE = 100 MΩ MIN

**MECHANICAL:**  
 DURABILITY = 500 OPERATIONS

**ENVIRONMENTAL:**  
 TEMPERATURE RANGE = -55°C TO +125°C

**PACKING:**  
 TUBE  
 FOR COMPLETE SPECIFICATION, SEE  
 COMPONENT SPECIFICATION C005XX  
 (LATEST ISSUE)

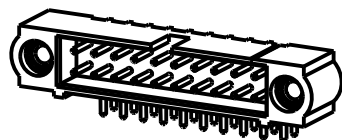
**NOTES:**  
 1. RECOMMENDED PCB HOLE  
 SIZE = Ø0.65mm MIN.



**ORDER CODE:**  
**M80-530XXXX**

No. OF CONTACTS \_\_\_\_\_  
 04 TO 50  
 (EVEN NUMBERS ONLY)

**FINISH** \_\_\_\_\_  
 05 - 100% GOLD  
 22 - SELECTIVE GOLD + TIN/LEAD  
 42 - SELECTIVE GOLD + 100% TIN  
 OVER NICKEL



DIMENSION	CALCULATION
DIM 'A'	TOTAL No. OF CONTACTS - 2
DIM 'B'	TOTAL No. OF CONTACTS + 5
DIM 'C'	TOTAL No. OF CONTACTS + 10

EXAMPLE: CONNECTOR WITH 20 CONTACTS, GOLD CLIP  
 AND 100% TIN SHELL, M80-5302042  
 DIM 'A' = 18.00mm, DIM 'B' = 25.00mm, DIM 'C' = 30.00mm

MGP	3	07.10.13	12230
NAME	ISS.	DATE	C/NOTE
APPROVED: MGP			
CHECKED: MS			
DRAWN: W. J. BOURNE			
CUSTOMER REF.:			
ASSEMBLY DRG:			

## HARWIN

www.harwin.com  
 technical@harwin.com

THIS DRAWING AND ANY  
 INFORMATION OR DESCRIPTIVE  
 MATTER SET OUT HEREON ARE  
 CONFIDENTIAL AND COPYRIGHT  
 PROPERTY OF THE HARWIN  
 GROUP AND MUST NOT BE  
 DISCLOSED, LOANED, COPIED  
 OR USED FOR MANUFACTURING,  
 TENDERING OR FOR ANY  
 OTHER PURPOSE WITHOUT  
 THEIR WRITTEN PERMISSION.

**TOLERANCES**  
 X. = ±1mm  
 X.X = ±0.25mm  
 X.XX = ±0.10mm  
 X.XXX = ±0.01mm  
 ANGLES = ±5°  
 UNLESS STATED

**MATERIAL:**

SEE ABOVE

**FINISH:** SEE ABOVE

**S/AREA:** mm<sup>2</sup>

**TITLE:** DATAMATE J-TEK  
 MALE DIL HORIZONTAL PC TAIL  
 WITH JACKSCREW

**DRAWING NUMBER:**  
**M80-530XXXX**

SHT  
 2 OF 2

# Mouser Electronics

Authorized Distributor

Click to View Pricing, Inventory, Delivery & Lifecycle Information:

## Harwin:

[M80-5305022](#) [M80-5302022](#) [M80-5302622](#) [M80-5303422](#) [M80-5301022](#) [M80-5305042](#) [M80-5301442](#) [M80-5300642](#) [M80-5301042](#) [M80-5302642](#) [M80-5303442](#) [M80-5302042](#) [M80-5304422](#) [M80-5304242](#) [M80-5300842](#) [M80-5301422](#) [M80-5300622](#) [M80-5301222](#) [M80-5301242](#) [M80-5301822](#) [M80-5301842](#) [M80-5300605](#) [M80-5303022](#) [M80-5301642](#) [M80-5301805](#) [M80-5305005](#) [M80-5301005](#) [M80-5301605](#) [M80-5302405](#) [M80-5303042](#) [M80-5302422](#) [M80-5300422](#) [M80-5301622](#)