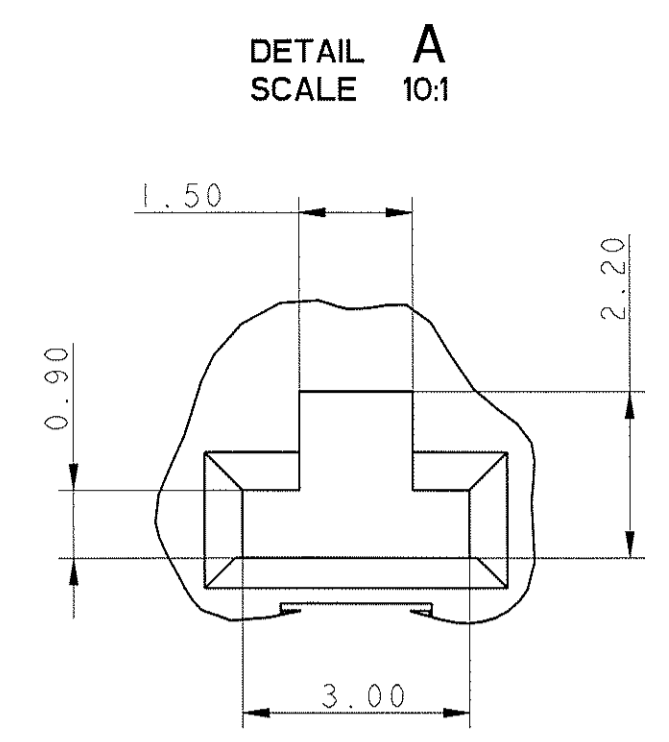
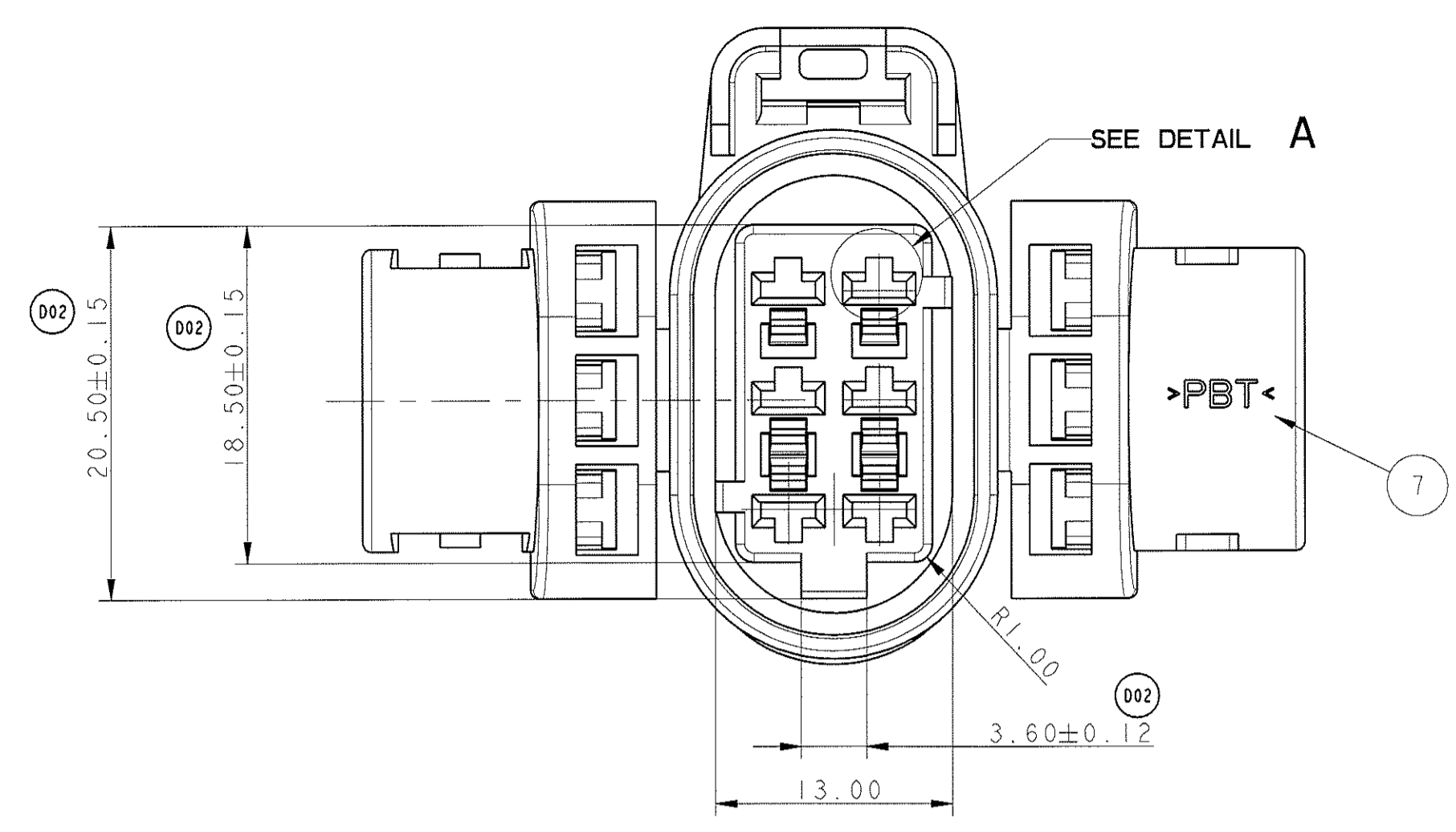
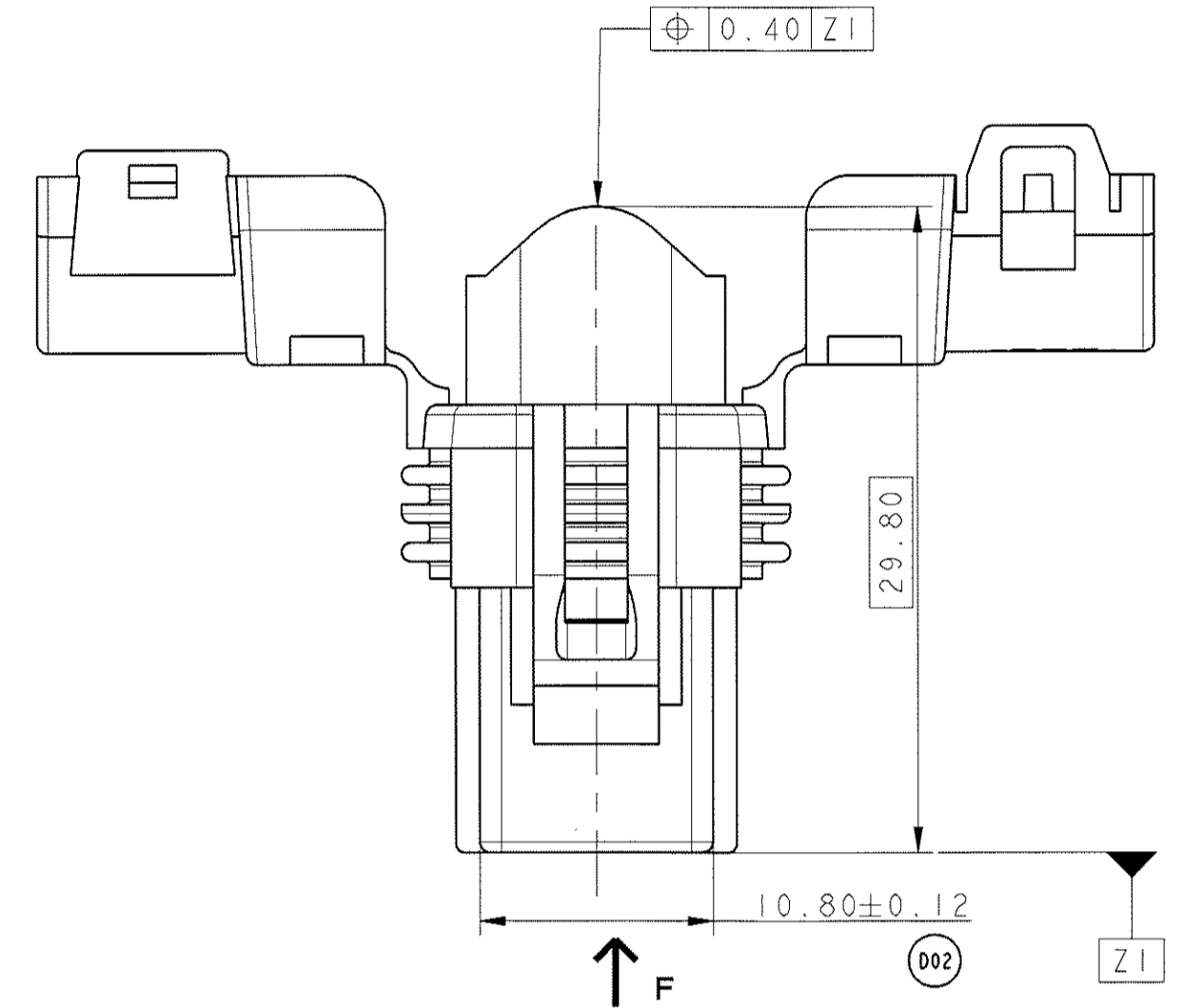
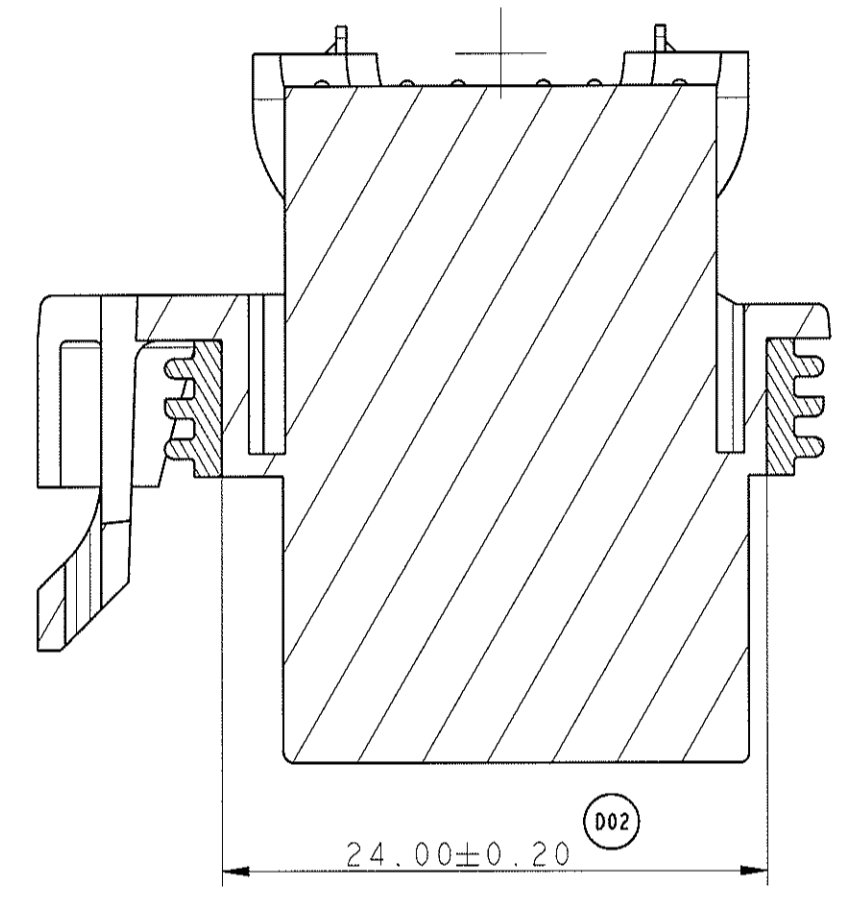


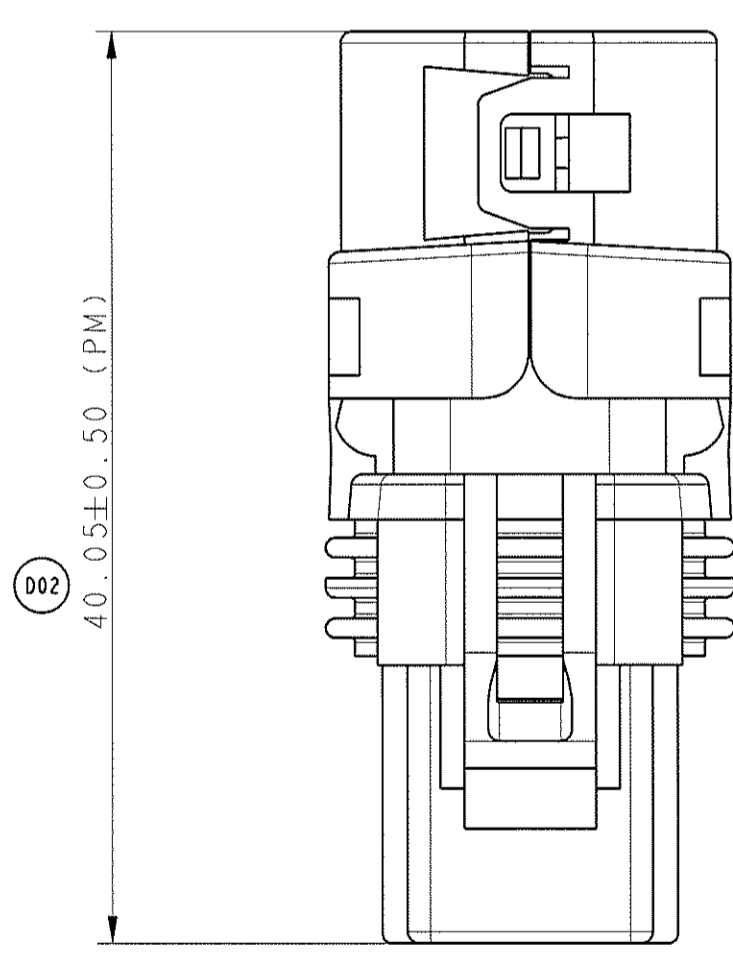
SCALE 1:1



SECTION A-A

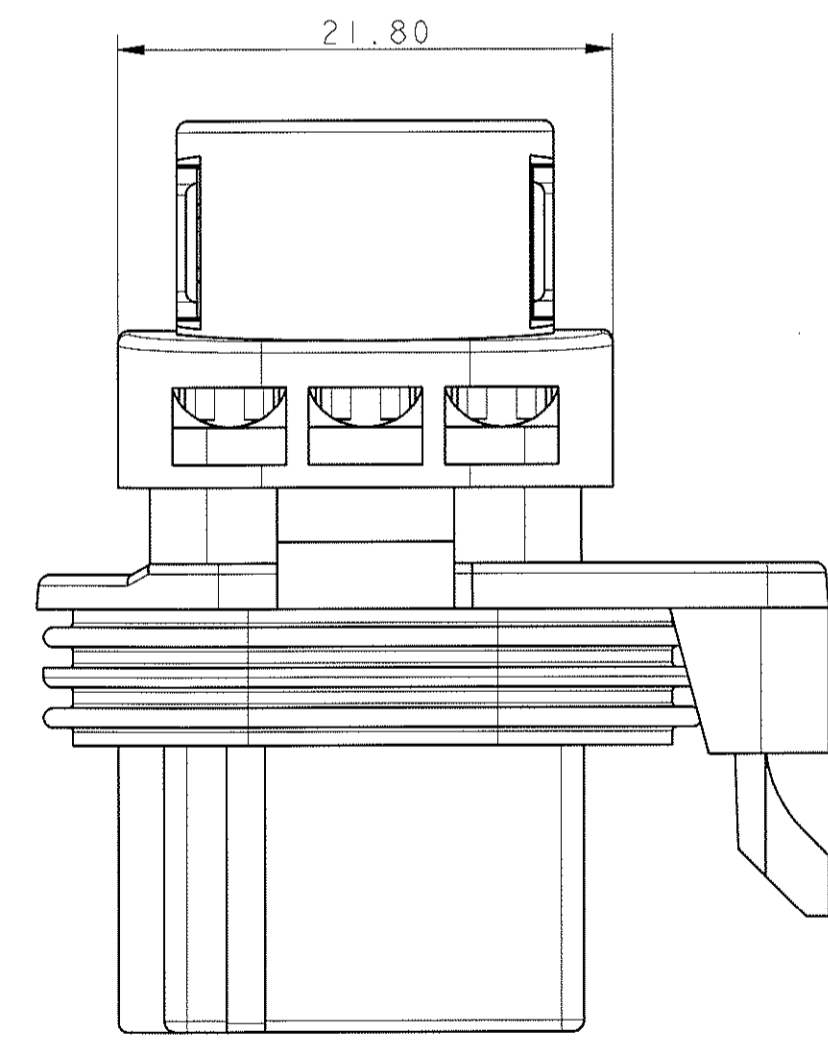
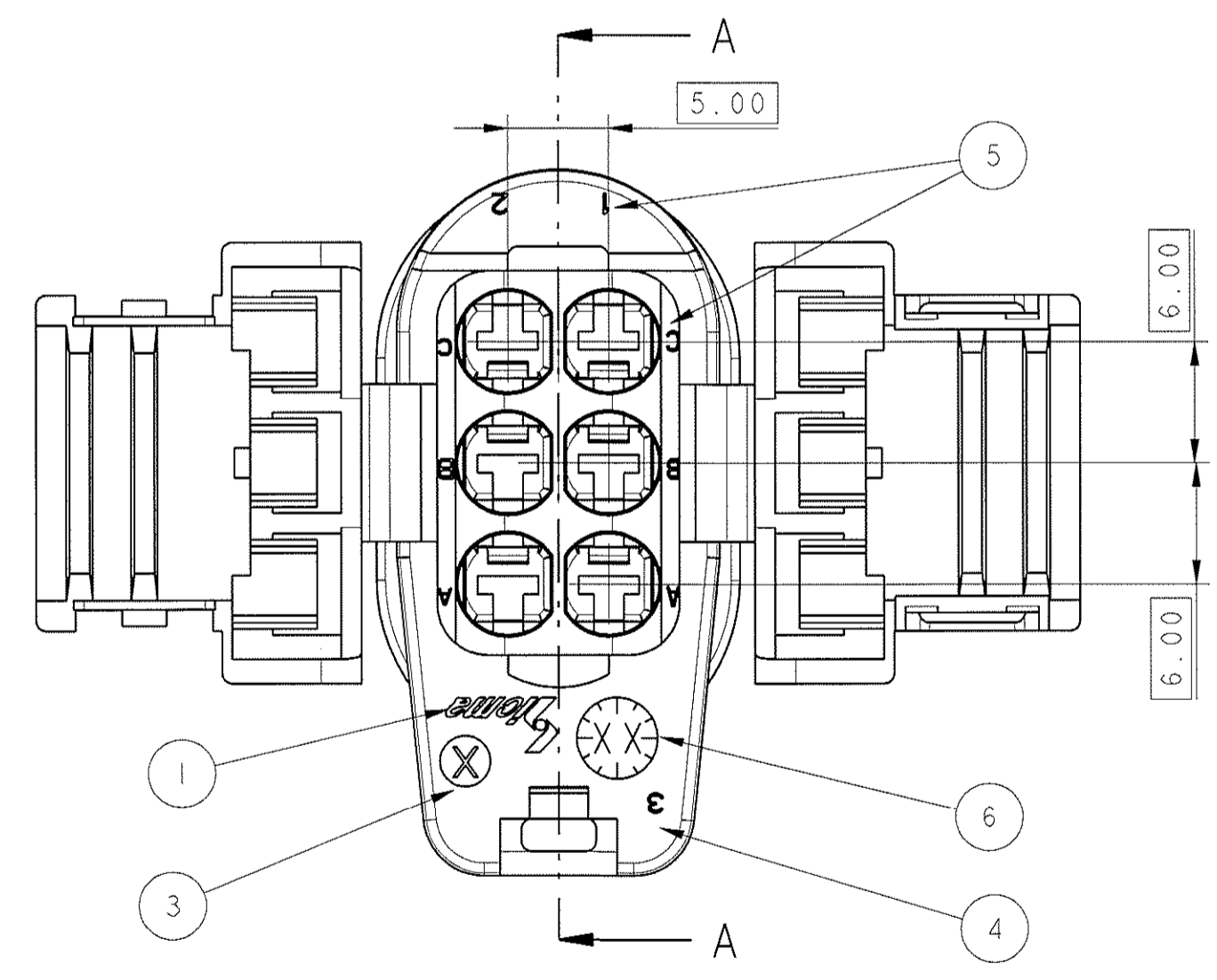
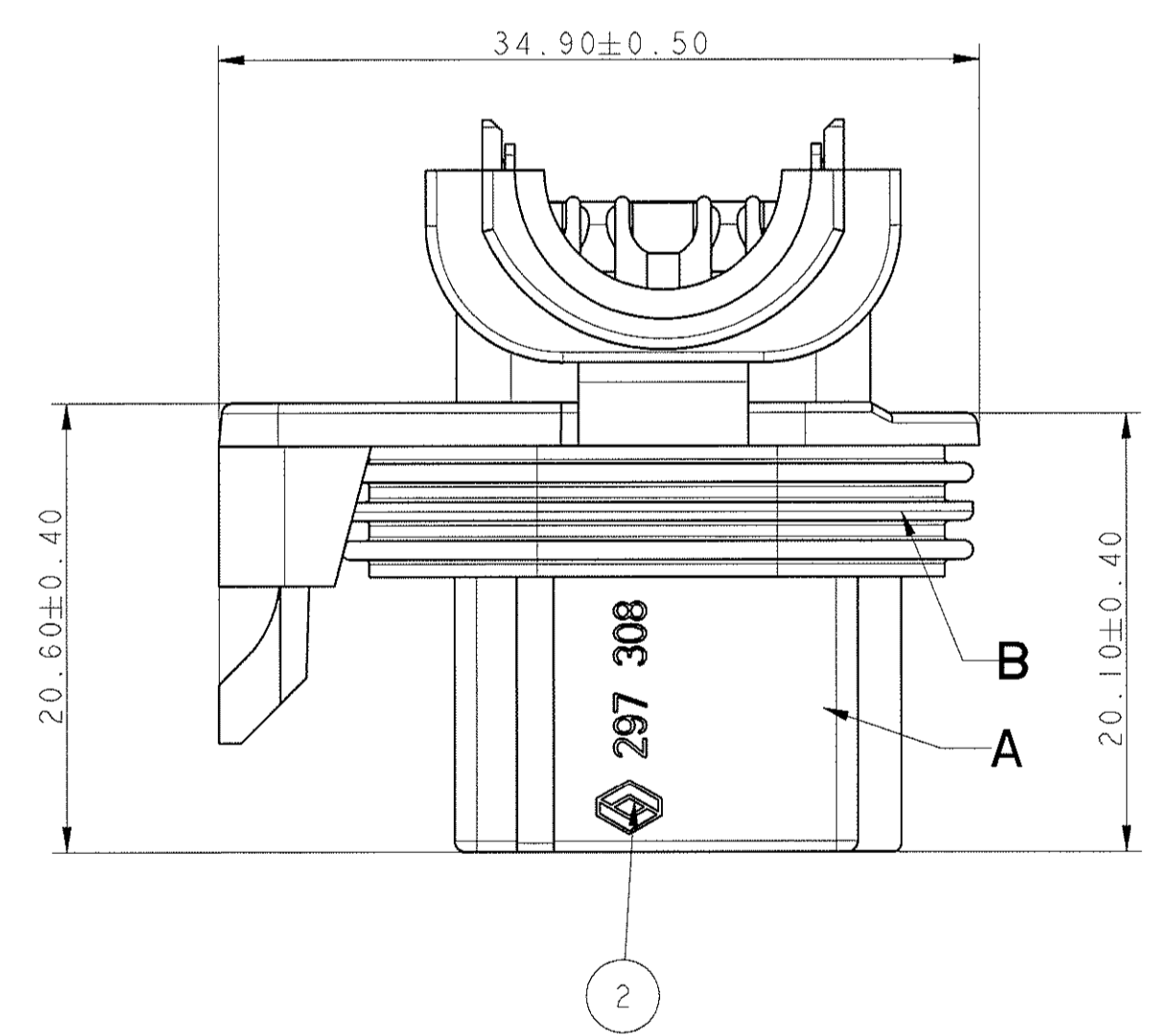


SCALE 3:1 FLAP CLOSED



NOMENCLATURE / PARTS LIST					
REP	QUANTITE / QUANTITY	DESIGNATION	MATIERE / MATERIAL	COULEUR / COLOUR	REF FCI / FCI P/N
B	1	JOINT INTERFACIAL INTERFACE SEAL	SILICON	VERT GREEN	211 M 018
A	1	PORTE CLIPS FEMALE HOUSING	PBT	CRISTAL WHITE	211 I 9 056
				MARRON BROWN	211 I 1 002
				GRIS GREY	211 I 8 002
				NOIR BLACK	211 I 0 002

MARQUAGES / MARKING	
1	SIGLE SIGMA / LOGO SIGMA
2	SIGLE RENAULT / LOGO RENAULT
3	INDICE ENSEMBLE MONTE OU INDICE CORPS: INDICE MAJEUR DU PLAN / REVISION LEVEL: MAJOR INDEX OF THE PLAN
4	REPERE D'EMPREINTE / CAVITY MOLD POSITION
5	REPERE D'ALVEOLE / CAVITY POSITION
6	DATEUR (XX: ANNEE) / DATE INDICATOR (XX: YEAR)
7	CODE MATIERE PC / MATERIAL FOR HOUSING



DETROMPAGE PORTE CLIPS
LOCATING DEVICE FEMALE HOUSING

ALVEOLES 2A ET 2B BOUCHEES
CAVITY 2A AND 2B CLOSED

CODAGE SUIVANT VUE F / CODING ACCORDING TO VIEW F	9.50 ^{+0.25} ₀		4.70 ^{+0.20} ₀		4.70 ^{+0.20} ₀		9.50 ^{+0.25} ₀	
	12.90 ⁰ _{-0.25}		8.10 ⁰ _{-0.20}		8.10 ⁰ _{-0.20}		12.90 ⁰ _{-0.25}	
ECHELLE: 3/2 SCALE: 3/2								
MASSE (g) / WEIGHT (g)	8.00		8.00		8.00		8.00	
Réf. FCI	211 PC 06 3 S 0 003 (D02)		211 PC 06 3 S 8 003 (D02)		211 PC 06 3 S 1 003		211 PC 06 3 S 9 018	
COULEUR CORPS / COLOR BODY	NOIR / BLACK		GRIS / GREY		MARRON / BROWN		CRISTAL / WHITE	
CODAGE / CODING	NOIR / BLACK		GRIS / GREY		MARRON / BROWN		NOIR / BLACK	

Archivé le 10/09/07

A 07 037	10/09/07	D02	AIS	UPDATE P/N FCI WHIT CODING BLACK AND GREY.	TECHNE	
			UPDATE			
			CHANGE CAD SYSTEM: TOPCAD-->PROVE			
			DM 07-021 (06/09/07)			
TECH. NO. / NUMERO TECH.	DATE / DATE	REV. / INDEX	POSITION / POSITION	CHANGE DESCRIPTION / MODIFICATION	DRAWN BY / DESINEUR	CHECKED BY / VERIFIEUR
PRODUCT SPEC. / SPECIF. PRODUIT	PACKAGING SPEC. / SPECIF. EMBALLAGE	APPLICATION SPEC. / SPECIF. APPLICATION	THIS DRAWING AND ALL OTHER INFORMATION CONTAINED HEREIN IS PROPRIETARY AND THE PROPERTY OF FCI. This drawing may not be copied, reproduced or disclosed to any third party without the expressed written permission of FCI. © FCI April 1998			CE PLAN ET LES INFORMATIONS CONTENUES DANS CE PLAN SONT PROPRIETAIRES ET LA PROPRIETE DE FCI. Ce plan ne peut être copié, reproduit ou communiqué à un tiers sans l'autorisation écrite de FCI. © FCI Avril 1998
TOLERANCES / TOLERANCES	±0.2 ±0.2	MATERIAL / MATIERE	SEE TABLE	SURFACE FINISH / ETAT DE SURFACE	ISO PRODUCTION / PRODUCTION ISO	CAD SYSTEM / SYSTEME CAD
QUANTITY / QUANTITE	8.00	COLOR / COULEUR	SEE TABLE	FE	FCI	PROJ. / PROJET
DO NOT SCALE DRAWING / NE PAS ESCALER LE DRAPE	NAME / NOM	DESIGNATION	6/4 WAY 28 x 08 FEMALE HOUSING WITH CAM	DRAWING NUMBER / REFERENCE PLAN	211 FT 0091	SHEET / FEUILLE
DRAWN BY / DESINEUR	DATE / DATE	REV. / INDEX		FILE NAME / NOM DE FICHIER	211FT0091	SCALE / ECHELLE
DESIGNED BY / CONCEPTEUR						2:1

Mouser Electronics

Authorized Distributor

Click to View Pricing, Inventory, Delivery & Lifecycle Information:

[Aptiv:](#)

[211PC063S1003](#) [211PC063S8003](#) [211PC063S0003](#)