

K-Nr.: 26307  
K-no.:

**Powerline Transformer**

Datum: 11.03.2015  
Date:

Kunde: Standard Type  
Customer

Kd. Sach Nr.:  
Customers part no.:

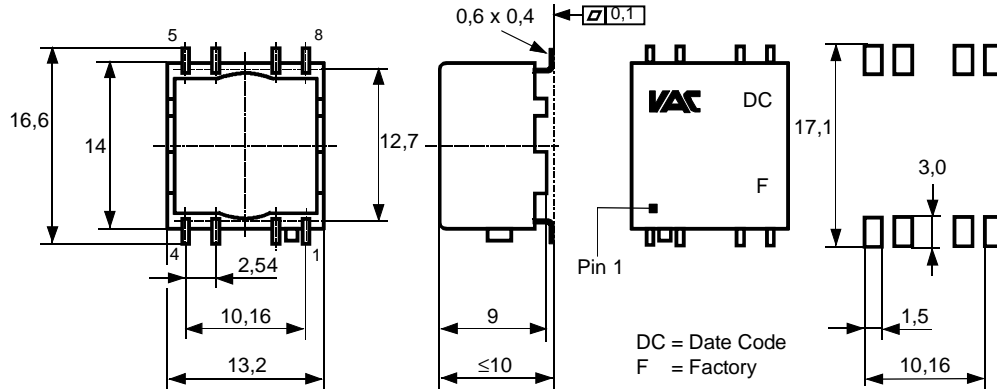
Seite 1 von 3  
Page of

Maßbild (mm): Freimaßtoleranz DIN ISO 2768-c  
Mechanical outline General tolerances

Anschlüsse:  
Connections:  
1, 4, 5, 8

Toleranz der Stiftabstände ±0,2mm  
(Tolerances grid distance)

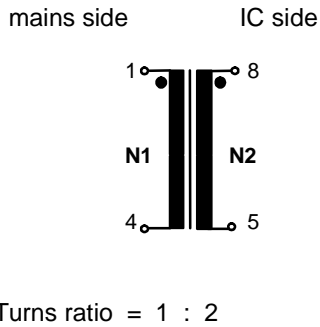
Vorschlag zur Anordnung der  
Anschlussflächen (Example  
for pad positions)



Beschriftung:  
marking

**VAC**  
5032X111  
F DC

Anschlußschema:  
Schematic diagram



Betriebsdaten/Charakteristische Daten (Richtwerte):  
Operational data/characteristic data (nominal values):

f = 10...1000 kHz

I<sub>DC</sub> < 140 mA ; (related to N1)

C<sub>K1-2</sub> < 7 pF; f = 10 kHz; U<sub>eff</sub> = 100 mV

R<sub>Cu1</sub> ≤ 170 mΩ; R<sub>Cu2</sub> ≤ 400 mΩ

Operating temperature: -40 °C ... +85 °C

Storage temperature: -40 °C ... +85 °C

**Inspection:** (V: 100%-Test; AQL...: DIN ISO 2859-Teil1; SC = significant characteristic)

See page 2

Weitere Vorschriften: Siehe Seite 2

Applicable documents See page 2

Datum	Name	Index	Änderung
11.03.15	Bs	81	Typo. Operational data, C <sub>K1+2</sub> < 7pF changed to C <sub>K1-2</sub> < 7pF. Lapidary change.

Hrsg.: KB-E editor	Bearb.: Bs designer	KB-PM: Pf. check	freig.: HH released
-----------------------	------------------------	---------------------	------------------------

K-Nr.: 26307  
 K-no.:

**Powerline Transformer**

 Datum: 11.03.2015  
 Date:

 Kunde: Standard Type  
 Customer

 Kd. Sach Nr.:  
 Customers part no.:

 Seite 2 von 3  
 Page of

**Inspection:** (V: 100%-Test; AQL...: DIN ISO 2859-Teil1; SC = significant characteristic)

- |    |            |          |  |   |
|----|------------|----------|--|---|
| 1) | (V)        | M3014:   | $U_{p,rms} = 3,0 \text{ kV}, 2 \text{ s},$ | N1 vs N2  |
| 2) | (AQL 0,25) | M3011/1: | $L_2 = 1,2 \text{ mH} \pm 40\%,$           | $f = 10 \text{ kHz}, U_{AC,eff} = 100 \text{ mV}$                   |
| 3) | (V)        | M3011/2: | $L_{S2-1k} = 23 \mu\text{H} \pm 10\%,$     | $f = 100 \text{ kHz}, U_{eff} = 100 \text{ mV},$ N1 short-circuited |
| 4) | (V)        | M3011/6: | Polarity, Turns ratio:                     | Tolerance $\pm 2 \%$ (SC)   |
| 5) | (Fix05)    | M3291:   | Solderability test acc. to chapter 1       |   |
| 6) | (AQL 1/S4) | M3200:   | Mechanical test                            |   |

**Type test:**

- 1) High voltage test according to M301
- 2)  $U_{p,rms} = 3,0 \text{ kV}, 1 \text{ min},$  N1 vs N2
- 2) M3292: Resistance to soldering heat according to chapter 2

Measurements after temperature balance of the test samples at room temperature

**Applicable documents:**

Housing material, casting resin and wire UL – listed

**Packing: Drypack / MSL according VAC M3027**

 Hrsg.: KB-E  
 editor

 Bearb.: Bs  
 designer

 KB-PM: Pf.  
 check

 freig.: HH  
 released

K-Nr.: 26307  
K-no.:

**Powerline Transformer**

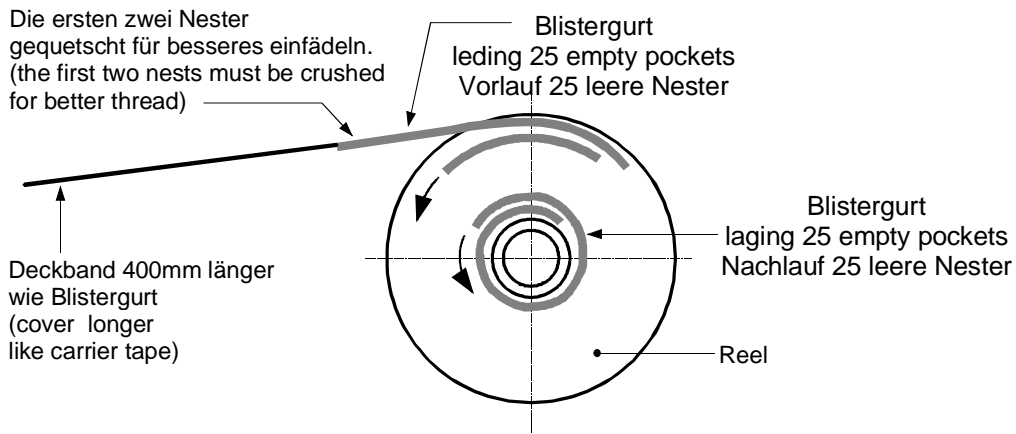
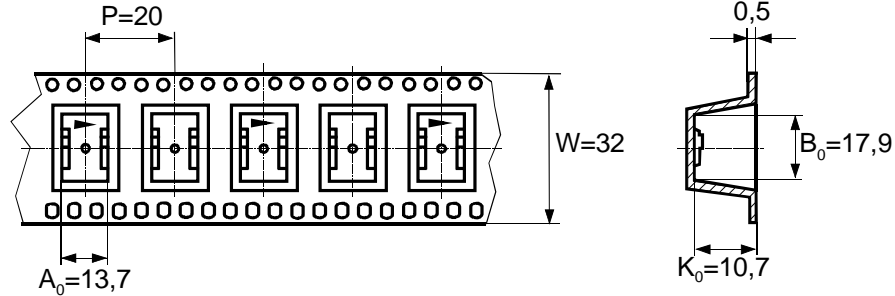
Datum: 11.03.2015  
Date:

Kunde: Standard Type  
Customer

Kd. Sach Nr.:  
Customers part no.:

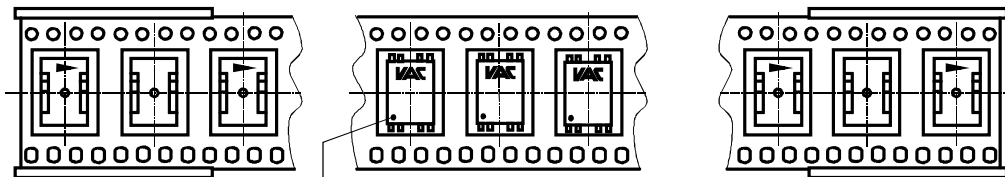
Seite 3 von 3  
Page of

**packing information / Verpackungsinformation**



laging:>25 empty pockets  
Nachlauf >25 leere Nester

leading:>25 empty pockets  
Vorlauf >25 leere Nester



Orientierung of Pin 1 in carrier tape  
Anordnung von Stift 1 im Blistergurt

Insertion of components according orientation 1 shown in M-sheet 3510  
Einsetzen der Bauelemente nach M-Blatt 3510 Orientierung 1

**quantities in packing:** 200 pieces/tape (packing carton) 200 Bauelemente/Rolle  
Verpackungsmenge 5 tapes reel/carton (outside)=1000 pieces /carton(outside)  
5Rollen/Karton =1000 Bauelemente /Außenkarton

Hrsg.: KB-E  
editor

Bearb: BS  
designer

KB-PM: Pf.  
check

freig.: HH  
released

# Mouser Electronics

Authorized Distributor

Click to View Pricing, Inventory, Delivery & Lifecycle Information:

[Vacuumschmelze:](#)

[T60403-K5032-X111](#)