

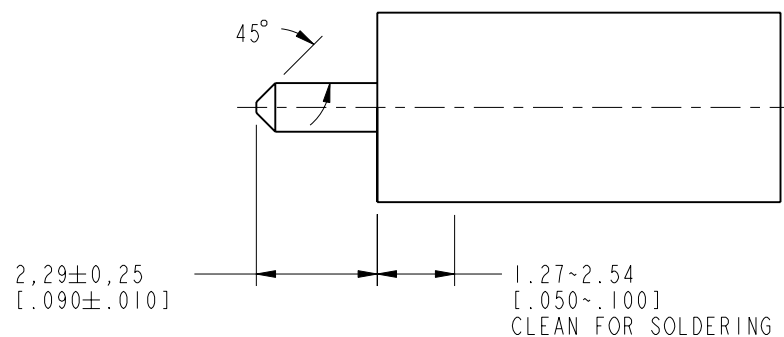
NOTES:

- MATERIALS AND FINISHES(PLATING THICKNESS IN MICRO-INCHES):  
 BODY - STAINLESS STEEL, GOLD PLATED (.000030 MIN) OVER NICKEL (.000100 MIN).  
 COUPLING NUT - STAINLESS STEEL, PASSIVATED  
 CONTACT - BERYLLIUM COPPER, GOLD PLATED (.000030 MIN) OVER NICKEL (.000080 MIN).  
 INSULATOR - PTFE, NATURAL  
 GASKET - SILICONE RUBBER, RED  
 RETAINING RING - BERYLLIUM COPPER or SUS 304
- ELECTRICAL:  
 A. IMPEDANCE: 50 OHM  
 B. FREQUENCY RANGE: DC - 18 GHz  
 C. VSWR(RETURN LOSS): 1.05 +.005f (GHz), MAX.  
 D. DIELECTRIC WITHSTANDING VOLTAGE: 1000 VRMS, MIN.
- MECHANICAL:  
 A. DURABILITY: 500 CYCLES MIN.  
 B. TEMPERATURE RANGE: -65°C TO +165°C
- PACKAGE CONNECTOR IN ANTI-STATIC BAG 999-284.  
 MARK BAG: AMPHENOL, 901-9808, DATE CODE, AND WORK ORDER NUMBER

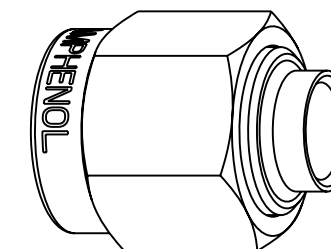
THIRD ANGLE PROJ.

REVISIONS

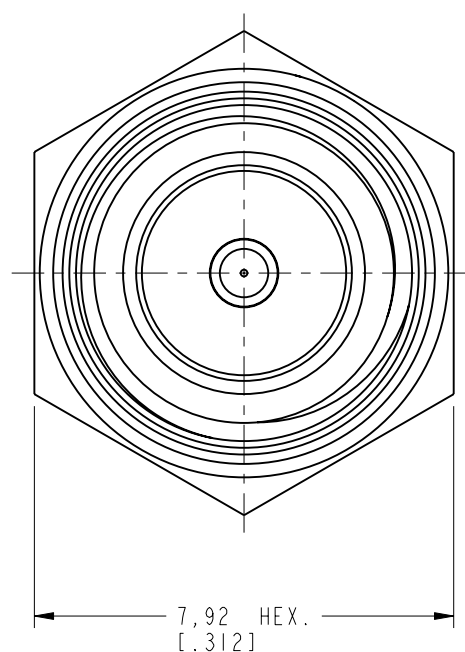
REV	DESCRIPTION	DATE	ECO	APPR
--	RELEASE TO MFG.	--	--	--
G	SEE SHEET I	10-Jul-06	46149	CPM
H	THE DRAWING'S FORMAT WAS CHANGED	27-Sep-07	-	SH
I	11.17 MAX. WAS 10.62 MAX. PER RD-DM08102201B	03-Nov-08	-	SH
J	SEE SHEET I	28-Sep-09	-	SH
K	SYNCH THE DRAWING WITH DANBURY	19-Jun-12	48810	SH



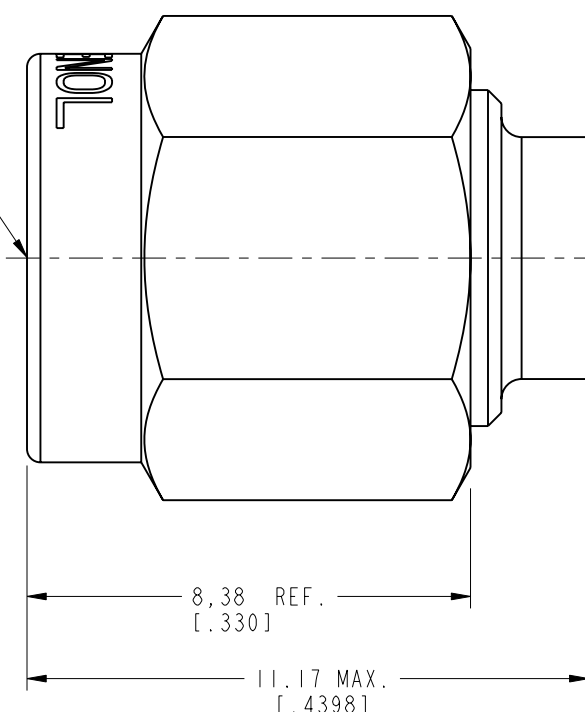
RECOMMENDED CABLE STRIPPING DIM'S



SCALE 3.500



INTERFACE PER AMPHENOL SPEC. 349-50623



**CUSTOMER OUTLINE DRAWING**

ALL OTHER SHEETS ARE FOR INTERNAL USE ONLY

UNLESS OTHERWISE SPECIFIED, DIMENSIONS ARE IN METRIC AND TOLERANCES ARE: <0.5mm ±0.05mm    0.5 - 6mm ±0.1mm    6 - 30mm ±0.2mm    30 - 120mm ±0.3mm    ANGLES ±1°	MATERIAL	DRAWN R. MAO	DATE 14-May-12	TITLE SMA MALE STRAIGHT (FOR .141 SEMI-RIGID)		Amphenol RF www.amphenolrf.com	
	NOTICE - These drawings, specifications, or other data (1) are, and remain the property of Amphenol corp. (2) must be returned upon request; and (3) are confidential and not to be disclosed to any person other than those to whom they are given by Amphenol Corp. the furnishing of these drawings, specifications, or other data by Amphenol Corp., or to any other person to anyone for any purpose is not to be regarded by implication or otherwise in any manner licensing, granting rights to permitting such holder or any other person to manufacture, use or sell any product, process or design, patented or otherwise, that may in any way be related to or disclosed by said drawings, specifications, or other data.	REFERENCE EAR 961995-1 ROCKWELL, 357-0142-010; 615X-1116-100 GEN# ASSYM4_SMA	ENGINEER O. BARTHELMES				
	FINISH	APPROVED S. HSIEH	DATE 14-May-12	SCALE: 7.0:1.0	SHEET 2 OF 2	ITEM NO. 901-9808	PART NO. 901-9808
		CAD FILE I:\SMA\901-9808		DWG SIZE B	REV K		

# Mouser Electronics

Authorized Distributor

Click to View Pricing, Inventory, Delivery & Lifecycle Information:

[Amphenol:](#)

[901-9808](#)