

FEATURES

- **1/4"~1/2"**
(DN8~DN15)
- **Max working pressure: PN63**
- **Material: 1.4409**
- **Spring material SS 316L**
- **Gasket material PTFE**

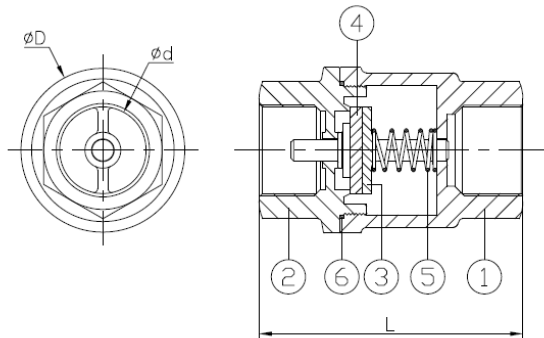
RS PRO Check Valves

RS Stock No.: 2570037, 2570043, 2570040

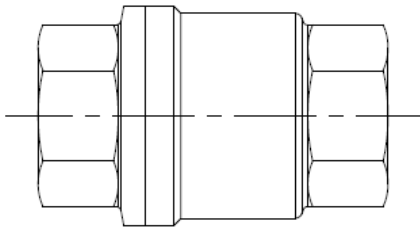


RS Professionally Approved Products bring to you professional quality parts across all product categories. Our product range has been tested by engineers and provides a comparable quality to the leading brands without paying a premium price.

General Specification



ITEM	PARTS	MATERIAL
1	BODY	1.4409
2	CAP	
3	DISC	PTFE
4	SEAT	
5	SPRING	SS 316L
6	GASKET	PTFE



DN	d	D	L	Weight (kg)
8	10	34.3	58.7	0.2
10	10	34.3	58.7	0.2
15	15	34.3	58.7	0.2

unit:mm

NPS	d	D	L	Weight (lb)
1/4"	0.39	1.35	2.31	0.4
3/8"	0.39	1.35	2.31	0.4
1/2"	0.59	1.35	2.31	0.4

unit:in